



Government Gazette

OF THE STATE OF
NEW SOUTH WALES

Number 68
Friday, 13 June 2008

Published under authority by Government Advertising

LEGISLATION

Regulations



New South Wales

Fair Trading Amendment (Prams and Strollers) Regulation 2008

under the

Fair Trading Act 1987

Her Excellency the Governor, with the advice of the Executive Council, has made the following Regulation under the *Fair Trading Act 1987*.

LINDA BURNEY, M.P.,
Minister for Fair Trading

Explanatory note

The object of this Regulation is to amend the *Fair Trading Regulation 2007* to prescribe a product safety standard for prams and strollers.

The product safety standard prescribed is that prams and strollers must comply with certain provisions of the Australian/New Zealand Standard entitled AS/NZS 2088:2000, *Prams and Strollers—Safety requirements*.

This Regulation is made under the *Fair Trading Act 1987*, including sections 26 and 92 (the general regulation-making power).

Clause 1 Fair Trading Amendment (Prams and Strollers) Regulation 2008

Fair Trading Amendment (Prams and Strollers) Regulation 2008

under the

Fair Trading Act 1987

1 Name of Regulation

This Regulation is the *Fair Trading Amendment (Prams and Strollers) Regulation 2008*.

2 Commencement

This Regulation commences on 1 July 2008.

3 Amendment of Fair Trading Regulation 2007

The *Fair Trading Regulation 2007* is amended as set out in Schedule 1.

Fair Trading Amendment (Prams and Strollers) Regulation 2008

Amendment

Schedule 1

Schedule 1 Amendment

(Clause 3)

Part 2, Division 15A

Insert after Division 15:

Division 15A Prams and strollers

52A Definitions

In this Division:

AS/NZS 2088 means the Australian/New Zealand Standard entitled AS/NZS 2088:2000, *Prams and Strollers—Safety requirements* published jointly by Standards Australia and Standards New Zealand on 15 December 2000.

pram means a wheeled vehicle with a body of box-like or boat-like shape designed to transport a baby or child weighing up to and including 9 kilograms primarily in a fully reclined position.

stroller means a wheeled vehicle designed to transport a child in a seated position, and which may also be adjusted to a semi-reclined position or fully reclined position.

52B Safety standard

The product safety standard prescribed for a pram or stroller is that they must comply with AS/NZS 2088.

52C Variation of AS/NZS 2088

For the purposes of this Division, AS/NZS 2088 is taken to have been amended as follows:

- (a) by omitting from clause 1 “This standard specifies materials, construction, performance and labelling requirements for prams and strollers, and includes a dimensional requirement for the depth of a pram.” and by inserting instead “This Standard specifies safety requirements for prams and strollers.”,
- (b) by omitting clauses 2, 3, 5, 6, 7.1–7.5, 7.7, 7.8.1.1 (b)–(d), 7.8.1.2, 7.9, 8.1–8.4, 8.6.1, 8.8–8.10, 9 and 10,
- (c) by omitting from clause 7.6 “(See Note to clause 7.5.)”,

Fair Trading Amendment (Prams and Strollers) Regulation 2008

Schedule 1 Amendment

-
- (d) by inserting at the end of clause 7.6 the following:
- The colour of the parking device actuator shall be red. The surrounding frame work and mouldings shall be a contrasting colour.
- (e) by omitting from clause 7.8.1.1 (a) “, comprising shoulder, waist and crotch straps. An example is shown in Figure 3.” and by inserting instead “that includes waist and crotch straps.”,
- (f) by omitting from clause 7.8.1.1 (e) “Items (a) and (b)” and by inserting instead “Item (a)”,
- (g) by omitting Figure 3 from clause 7.8.1.1,
- (h) by omitting from clause 7.8.1.3 “at a point where the seat cannot be pulled away from the frame of the stroller by pulling the restraint straps”,
- (i) by inserting before clause 8:
- 7.10 Tether strap**
- Vehicles shall be provided with a suitable strap to allow the vehicle to be tethered to the vehicle operator while it is in use.
- The tether strap shall be designed to reduce the possibility of it being a strangulation hazard for infants inside or outside the vehicle.
- The length of the strap is to be as short as practical and any loop in the strap shall have a perimeter of less than 360 mm.
- (j) by omitting from clause 8.6.2 (a) “(See also Note to Clause 7.9.)”,
- (k) by inserting at the end of clause 8.6.2 (a) the following:
- When tested in accordance with the following procedures, the test ball shall not fall out of the seat unit:
- Recline the backrest of the seat unit to the most reclined position. Attach, according to the manufacturer’s instructions, the textile parts intended to retain the child (including the rear part of the hood and aprons).

Fair Trading Amendment (Prams and Strollers) Regulation 2008

Amendment

Schedule 1

Fix the vehicle to a plane inclined at 45° with respect to the horizontal and 15° with respect to the perpendicular direction of the longitudinal axis considered when inclining the plane to 45°. The vehicle shall be placed along the longitudinal axis of the plane.

Place a test ball comprising of a sphere with a hard smooth surface of diameter 120 mm (± 2 mm) and 5 kg (± 0.1 kg) weight on the centre of the junction of the seat and backrest of the vehicle and let the ball roll freely. Record whether the test ball falls out of the seat unit.

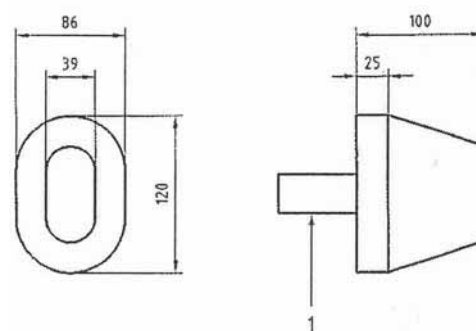
Repeat the procedure but with the inclination of the plane of 15° to the opposite side of the longitudinal axis.

Repeat the procedure without inclining the plane at 15° but simply reclined at 45°.

- (l) by inserting after clause 8.6.2 (b) (ii) the following:
- (iii) When tested in accordance with the following procedures, if the small torso probe passes through the gap between the handle and the body of the pram or stroller, the large head probe shall also pass through.

The probes used in this test are made of hard smooth material fitted with suitable handgrips, comprising the following:

- (a) a small torso probe with dimensions as shown in Figure A below:



Notes to Figure A: Dimensions are in mm;
1 is the hand grip

Fair Trading Amendment (Prams and Strollers) Regulation 2008

Schedule 1 Amendment

-
- (b) a large head probe in the shape of a cylinder of diameter 223 mm and length 100 mm, with a handgrip fitted to an end of the cylinder (these probes have dimensional tolerances of 2 mm).

Check whether the small torso probe can pass through the gap between the handle and the end of the pram/stroller body applying force of 90 N.

Check if the large head probe passes through the opening when pushed along the axis of the handgrip, with a force not exceeding 5 N.

- (m) by inserting after clause 11.1 (e) the following:
- (f) A notice placed on the tether strap, as follows:
WARNING: USE THIS STRAP TO STOP THE PRAM/STROLLER* ROLLING AWAY.
- (n) by omitting clause 11.2 and by inserting instead the following:
11.2 Legibility of marking
The wording shall be clearly legible and the marking specified in clauses 11.1 (c), (d), (e) and (f) shall be characters not less than 2.5 mm high.
- (o) by omitting Appendices B—H, K and O—Q.



New South Wales

Local Government (General) Amendment (Rates for Irrigable Land) Regulation 2008

under the

Local Government Act 1993

Her Excellency the Governor, with the advice of the Executive Council, has made the following Regulation under the *Local Government Act 1993*.

PAUL LYNCH, M.P.,
Minister for Local Government

Explanatory note

Clause 120B of the *Local Government (General) Regulation 2005* provides that, for the purpose of determining sub-categories of farmland, as referred to in section 529 of the *Local Government Act 1993*, a council may have regard to any differences in the reduction of land values of irrigable land that have arisen as a consequence of the commencement of section 6A (4) of the *Valuation of Land Act 1916*. This is a transitional provision and, pursuant to clause 120C, does not apply to a council in respect of any year following the next (that is, the first) occasion after 1 July 2007 that the Valuer-General gives a valuation list to the council following a general valuation carried out in respect of the council's area. The object of this Regulation is to amend clause 120C so as to provide that clause 120B does not apply to a council in respect of any year following the second (rather than the first) such occasion.

This Regulation is made under the *Local Government Act 1993*, including section 748 (the general power to make regulations) and clause 1 of Schedule 8 (the power to make regulations of a savings or transitional nature).

Clause 1 Local Government (General) Amendment (Rates for Irrigable Land)
 Regulation 2008

Local Government (General) Amendment (Rates for Irrigable Land) Regulation 2008

under the

Local Government Act 1993

1 Name of Regulation

This Regulation is the *Local Government (General) Amendment (Rates for Irrigable Land) Regulation 2008*.

2 Amendment of Local Government (General) Regulation 2005

The *Local Government (General) Regulation 2005* is amended by omitting clause 120C (2) and by inserting instead the following subclauses:

- (2) Clause 120A does not apply to a council in respect of any year following the first occasion after 1 July 2007 that the Valuer-General gives a valuation list to the council following a general valuation carried out in respect of the council's area.
- (3) Clause 120B does not apply to a council in respect of any year following the second occasion after 1 July 2007 that the Valuer-General gives a valuation list to the council following a general valuation carried out in respect of the council's area.



New South Wales

Marine Safety Regulation 2008

under the

Marine Safety Act 1998

Her Excellency the Governor, with the advice of the Executive Council, has made the following Regulation under the *Marine Safety Act 1998*.

JOSEPH TRIPODI, M.P.,
Minister for Ports and Waterways

Explanatory note

The object of this Regulation is to remake, with minor amendments, the provisions of the *Marine Safety Regulation 2003* which is repealed on 1 September 2008 by section 10 (2) of the *Subordinate Legislation Act 1989*.

This Regulation makes provision with respect to the following:

- (a) the prescribing of certain offences under the *Marine Pollution Regulation 2006* as offences that may be dealt with by way of penalty notice and to prescribe the penalties for those offences when dealt with in that way,
- (b) the transitional arrangements with regard to the construction of references to marine safety licences in the *Marine Safety Act 1998*, while provisions of that Act remain uncommenced,
- (c) savings and formal matters.

This Regulation is made under the *Marine Safety Act 1998*, including sections 126 and 137 (the general regulation-making power) and clause 1 of Schedule 4.

This Regulation comprises or relates to matters set out in Schedule 3 to the *Subordinate Legislation Act 1989*—namely, matters of a machinery nature and matters of a savings or transitional nature.

Marine Safety Regulation 2008

Contents

	Page
1 Name of Regulation	3
2 Commencement	3
3 Definitions	3
4 Penalty notice offences	3
5 Transitional provision: references to marine safety licences	4
6 Saving	4
Schedule 1 Penalty notice offences	5

Marine Safety Regulation 2008

Clause 1

Marine Safety Regulation 2008

under the

Marine Safety Act 1998

1 Name of Regulation

This Regulation is the *Marine Safety Regulation 2008*.

2 Commencement

This Regulation commences on 1 September 2008.

Note. This Regulation replaces the *Marine Safety Regulation 2003* which is repealed on 1 September 2008 by section 10 (2) of the *Subordinate Legislation Act 1989*.

3 Definitions

- (1) In this Regulation:
the Act means the *Marine Safety Act 1998*.
- (2) Notes included in this Regulation do not form part of this Regulation.

4 Penalty notice offences

- (1) For the purposes of section 126 of the Act:
 - (a) an offence specified in Column 1 of Schedule 1 (being an offence under the Act or the Regulation indicated in the heading to the relevant part of that Schedule) is a prescribed offence, and
 - (b) an amount shown in Column 2 of Schedule 1 opposite the prescribed offence is the amount of penalty prescribed for the offence if that offence is dealt with under section 126 of the Act.
- (2) If the reference to a provision in Column 1 of Schedule 1 is qualified by words that restrict its operation to specified kinds of offence or to offences committed in specified circumstances, an offence created by the provision is a prescribed offence only if it is an offence of a kind so specified or is committed in the circumstances so specified.
- (3) For the purposes of section 126 (9) of the Act, authorised officers are prescribed as a class of persons who are law enforcement officers in relation to the offences specified in Column 1 of Schedule 1.

Clause 5 Marine Safety Regulation 2008

5 Transitional provision: references to marine safety licences

A reference, in any provision of the Act that has commenced, to a marine safety licence includes, until such time as Part 4 of the Act commences, a reference to a registration, licence, certificate or other authority in force under any Act or regulation specified in Schedule 2 to the Act.

6 Saving

Any act, matter or thing that, immediately before the repeal of the *Marine Safety Regulation 2003*, had effect under that Regulation continues to have effect under this Regulation.

Marine Safety Regulation 2008

Penalty notice offences

Schedule 1

Schedule 1 Penalty notice offences

(Clause 4)

Column 1	Column 2
Offences under the Marine Pollution Regulation 2006	
Clause 23 (2)	\$750
Clause 26 (1)	\$750
Clause 26 (2)	\$750
Clause 27 (2)	\$750
Clause 27 (3)	\$750
Clause 28 (1)	\$750
Clause 28 (2)	\$750
Clause 29 (1)	\$750
Clause 29 (2)	\$300
Clause 29 (3)	\$300
Clause 29 (4)	\$300
Clause 32 (3)	\$750
Clause 33	\$300
Clause 34 (1)	\$750
Clause 34 (2)	\$750
Clause 35	\$750
Clause 36 (3)	\$750

MOTOR VEHICLES TAXATION REGULATION 2008

Erratum

THE Motor Vehicles Taxation Regulation 2008 published in the Government Gazette of the 6 June 2008 No 66, folio 4642 contained an incorrect Minister's name.

"ANTHONY KELLY, M.L.C., Minister for Lands"

this should have read

"ERIC ROOZENDAAL, M.L.C., Minister for Roads"

This erratum now amends that error with the gazettal date remaining the 6 June 2008.

Orders



New South Wales

Public Sector Employment and Management (Housing NSW) Order 2008

under the

Public Sector Employment and Management Act 2002

MARIE BASHIR, Governor

I, Professor Marie Bashir AC, CVO, Governor of the State of New South Wales, with the advice of the Executive Council, and in pursuance of Chapter 4 of the *Public Sector Employment and Management Act 2002*, make the following Order.
Dated, this 11th day of June 2008.

By Her Excellency's Command,

MORRIS IEMMA, M.P.,
Premier

Clause 1 Public Sector Employment and Management (Housing NSW) Order 2008

Public Sector Employment and Management (Housing NSW) Order 2008

under the

Public Sector Employment and Management Act 2002

1 Name of Order

This Order is the *Public Sector Employment and Management (Housing NSW) Order 2008*.

2 Definition

In this Order:

document means any Act or statutory instrument, or any other instrument, or any contract or agreement.

3 Change of name of Department of Housing to Housing NSW

- (1) The name of the Department of Housing is changed to Housing NSW. Housing NSW is responsible to the Minister for Housing.
- (2) In any document, a reference to the Department of Housing is to be construed as a reference to Housing NSW.

4 Amendment of Public Sector Employment and Management Act 2002 No 43

Schedule 1 (Divisions of the Government Service) to the *Public Sector Employment and Management Act 2002* is amended by omitting from Part 1 (Public Service Departments) the matter relating to the Department of Housing and inserting instead:

Housing NSW

Director-General of Housing NSW

OFFICIAL NOTICES

Appointments

ABORIGINAL LAND RIGHTS ACT 1983

Notice

I, the Honourable PAUL LYNCH, M.P., Minister for Aboriginal Affairs, following approval by the New South Wales Aboriginal Land Council (NSWALC), do, by this notice pursuant to section 222(1) of the Aboriginal Land Rights Act 1983 (the Act), appoint Mr Andrew HOHOLT as Administrator to the Moree Local Aboriginal Land Council for a period of six (6) calendar months. During the period of his appointment, the Administrator will have all of the functions of the Moree Local Aboriginal Land Council and any other duties as specified by the instrument of appointment. The Administrator's remuneration and expenses are not to exceed \$60 000 excluding GST without the prior approval of NSWALC. The Administrator's remuneration may include fees payable for the services of other personnel within the Administrator's firm who provide services as agents of the Administrator.

Signed and sealed this 3rd day of June 2008.

PAUL LYNCH, M.P.,
Minister for Aboriginal Affairs

GOD SAVE THE QUEEN!

Department of Lands

BOARD OF SURVEYING AND SPATIAL INFORMATION

Panorama Avenue (PO Box 143), Bathurst NSW 2795

Phone: (02) 6332 8238 Fax: (02) 6332 8240

SURVEYING ACT 2002

Registration of Surveyors

PURSUANT to the provisions of the Surveying Act 2002, section 10(1)(a), the undermentioned persons have been Registered as Land Surveyors in New South Wales from the dates shown.

<i>Name</i>	<i>Address</i>	<i>Effective Date</i>
Thomas Anthony CASEY.	48 Cecile Street, Parkes NSW 2870.	1 April 2008.
Scott Francis Harold CROMMENTUYN.	31 Bentinck Street, Ballina NSW 2478.	11 April 2008.
Scott Laurence DEVERIDGE.	Level 4, 13-15 Lyonpark Road, Macquarie Park NSW 2113.	7 April 2008.
Mitchell James LIDDELL.	49 Toolona Street, Tugun Qld 4224.	21 April 2008.
Stephen Charles MAY.	375 Wingham Road, Taree NSW 2430.	24 April 2008 .

W. A. WATKINS, President
S. G. GLENCORSE, Registrar

SURVEYING ACT 2002

Registration of Surveyors

PURSUANT to the provisions of the Surveying Act 2002, section 10(1)(b), the undermentioned person has been Registered as Mining Surveyors (Unrestricted) in New South Wales from the dates shown.

<i>Name</i>	<i>Address</i>	<i>Effective Date</i>
Ricardo PERISSINOTTO.	1 Silky Oak Drive, Gympie Qld 4570	23 May 2008.

W. A. WATKINS, President
S. G. GLENCORSE, Registrar

SURVEYING REGULATION 2006

Certificate of Meritorious Service

PURSUANT to the provisions of Clause 83 of the Surveying Regulation 2006, the undermentioned Mining Surveyors have been awarded a Certificate of Meritorious Service in recognition of their long service and contribution to the surveying profession in New South Wales with effect 29 May 2008.

<i>Name</i>	<i>Removed from Register</i>	<i>Date of Original Registration</i>
Peter Henry Leonard EASON.	1 November 2005.	25 November 1975.
Raymond Keith HARTAS.	4 July 2006.	31 May 1976.
Steve LAMB.	1 September 2007.	8 November 1976.
Paul Lewis OGDEN.	12 September 2005.	15 May 1978.

W. A. WATKINS, President
S. G. GLENCORSE, Registrar

GOULBURN OFFICE**159 Auburn Street (PO Box 748), Goulburn NSW 2580****Phone: (02) 4824 3700 Fax: (02) 4822 4287****ERRATUM**

Order

Correction of Defective Instrument

IN pursuance of the provisions of the Roads Act 1993, section 257, the Instrument contained within *New South Wales Government Gazette* No. 53, dated 16 May 2008, Folio 3908, under the heading "GOULBURN OFFICE, Notification of Closing of a Road, Parish – Mittagong" the note at the end is hereby amended. After note: delete the words "Young Shire Council" and replace with "Wingecarribee Shire Council".

File No.: GB05 H 427:JK.

NOTIFICATION OF CLOSING OF A ROAD

IN pursuance of the provisions of the Roads Act, 1993, the roads hereunder described are closed and the lands comprised therein ceases to be public roads and the rights of passage and access that previously existed in relation to the roads are extinguished. Upon closing, title to the lands, comprising the former public roads, vests in the body specified in the Schedules hereunder.

TONY KELLY, M.L.C.,
Minister for Lands

DESCRIPTION**SCHEDULE 1**

Parish – Carwoola;
County – Murray;
Land District – Queanbeyan;
LGA – Greater Queanbeyan

Lot 1, DP 1125466 (not being land under the Real Property Act).

File Reference: GB05H71:JK.

NOTE: On closing, the title for the land in Lot 1, DP 1125466 remains vested in the State of New South Wales as Crown land.

SCHEDULE 2

Parish – Kangaloon;
County – Camden;
Land District – Moss Vale;
LGA – Wingecarribee

Lot 1, DP 1125376 (not being land under the Real Property Act).

File Reference: GB02H298:JK.

NOTE: On closing, the title for the land in Lot 1, DP 1125376 remains vested in the State of New South Wales as Crown land.

SCHEDULE 3

Parish – Monga;
County – St Vincent;
Land District – Braidwood;
LGA – Palerang

Lot 1, DP 1125464 (not being land under the Real Property Act).

File Reference: GB04H537:JK.

NOTE: On closing, the title for the land in Lot 1, DP 1125464 remains vested in the State of New South Wales as Crown land.

SCHEDULE 4

Parish – Bolaira;
County – Wallace;
Land District – Cooma;
LGA – Snowy River

Lot 1, DP 1124280 (not being land under the Real Property Act).

File Reference: GB06H452:JK.

NOTE: On closing, the title for the land in Lot 1, DP 1124280 remains vested in the State of New South Wales as Crown land.

GRAFTON OFFICE
76 Victoria Street (Locked Bag 10), Grafton NSW 2460
Phone: (02) 6640 3400 Fax: (02) 6642 5375

NOTIFICATION OF CLOSING OF ROAD

In pursuance of the provisions of the Roads Act 1993, the road hereunder described is closed and the land comprised therein ceases to be a public road and the rights of passage and access that previously existed in relation to the road are extinguished. On road closing, title to the land comprising the former public road vests in the body specified in the Schedule hereunder.

TONY KELLY, M.L.C.,
 Minister for Lands

Description

Land District – Lismore; L.G.A. – Lismore City

Roads Closed: Lot 10, DP 1109862 at Lismore, Parish Lismore, County Rous.

File No.: GF05 H 716.

Schedule

On closing, the land within Lot 10, DP 1109862 becomes vested in Lismore City Council as operational land for the purposes of the Local Government Act 1993.

Councils Reference: R 6062 Weaver Street.

Description

Land District – Murwillumbah; L.G.A. – Tweed Shire

Roads Closed: Lot 1, DP 1126779 at Tweed Heads, Parish Terranora, County Rous.

File No.: GF04 H 75.

Schedule

On closing, the land within Lot 1, DP 1126779 becomes vested in Tweed Shire Council as operational land for the purposes of the Local Government Act 1993.

Councils Reference: GR3/12/7: Blue Waters Crescent.

GRIFFITH OFFICE
2nd Floor, Griffith City Plaza,
120–130 Banna Avenue (PO Box 1030), Griffith NSW 2680
Phone: (02) 6960 3600 Fax: (02) 6962 5670

APPOINTMENT OF TRUST BOARD MEMBERS

PURSUANT to section 93 of the Crown Lands Act 1989, the persons whose names are specified in Column 1 of the Schedule hereunder, are appointed for the terms of office specified, as members of the trust board for the reserve trust specified opposite thereto in Column 2, which has been established and appointed as trustee of the reserve referred to opposite thereto in Column 3 of the Schedule.

TONY KELLY, M.L.C.,
 Minister for Lands

SCHEDULE

<i>Column 1</i>	<i>Column 2</i>	<i>Column 3</i>
Kevin Harold ROWSTON (re-appointment), Geoffrey Robert IRVIN (re-appointment), Noel John EVANS (re-appointment), Garry William CLARK (re-appointment), Baden John ELLIS (re-appointment).	Binya Public Hall Trust.	Reserve No.: 58378. Public Purpose: Public recreation and public hall. Notified: 6 November 1925. File No.: GH89 R 160/2.

Term of Office

For a term commencing the date of this notice and expiring 12 June 2013.

ORANGE OFFICE
92 Kite Street (PO Box 2146), Orange NSW 2800
Phone: (02) 6391 4300 Fax: (02) 6362 3896

NOTIFICATION OF CLOSING OF PUBLIC ROAD

IN pursuance of the provisions of the Roads Act 1993, the road hereunder described is closed and the land comprised therein ceases to be a public road and the rights of passage and access that previously existed in relation to the road are extinguished. On road closing, title to the land comprising the former public road vests in the body specified in the Schedules hereunder.

TONY KELLY, M.L.C.,
 Minister for Lands

SCHEDULE 1

Description

*Parish – Coradgery; County – Kennedy;
 Land District – Parkes; Shire – Parkes*

Road Closed: Lot 1 in Deposited Plan 1122686.

File No.: CL/00069.

Note: On closing, title to the land comprised in Lot 1 remains vest in the Crown as Crown Land.

SCHEDULE 2

Description

*Parish – Calvert; County – Bathurst;
 Land District – Blayney; Shire – Blayney*

Road Closed: Lot 1 in Deposited Plan 1124451.

File No.: OE05 H 55.

Note: On closing, title to the land comprised in Lot 1 remains vest in the Crown as Crown Land.

SCHEDULE 3

Description

*Parish – Goobothery; County – Gipps;
 Land District – Condobolin; Shire – Lachlan*

Road Closed: Lot 1 in Deposited Plan 1124228.

File No.: OE05 H 120.

Note: On closing, title to the land comprised in Lot 1 remains vest in the Crown as Crown Land.

RESERVATION OF CROWN LAND

PURSUANT to section 87 of the Crown Lands Act 1989, the Crown land specified in Column 1 of the Schedule hereunder is reserved as specified opposite thereto in Column 2 of the Schedule.

TONY KELLY, M.L.C.,
 Minister for Lands

SCHEDULE*Column 1*

Land District: Lithgow,
 Rylstone and Bathurst
 Local Government Area:
 Lithgow, Bathurst Regional
 and Mid Western Regional
 Locality: Being the Crown
 lands depicted on the plan
 of R1014468 held by the
 Department of Lands
 Area: About 4,518.4 hectares
 File No: 08/0938
 Note: Existing reservations
 under the Crown Lands Act
 are not revoked.

Column 2

Reserve No. 1014468
 for the public purpose of
 access and public
 requirements, rural services,
 tourism purposes and
 environmental and heritage
 conservation

SYDNEY METROPOLITAN OFFICE
Level 12, Macquarie Tower, 10 Valentine Avenue, Parramatta 2150
(PO Box 3935, Parramatta NSW 2124)
Phone: (02) 8836 5300 Fax: (02) 8836 5365

**DRAFT ASSESSMENT OF CROWN LAND UNDER
PART 3 OF THE CROWN LANDS ACT, 1989 AND
THE CROWN LANDS REGULATION, 2006.**

THE Minister for Lands has prepared a draft assessment for the Crown land described hereunder.

Inspection of this draft assessment can be made at the following locations: Sydney Metropolitan Office of the NSW Department of Lands, at Level 12, 10 Valentine Avenue, Parramatta; Matraville Community Library, 1203 Anzac Parade Matraville, during normal business hours. Alternatively the assessment can be viewed on the Department's website at www.lands.nsw.gov.au under "Crown land".

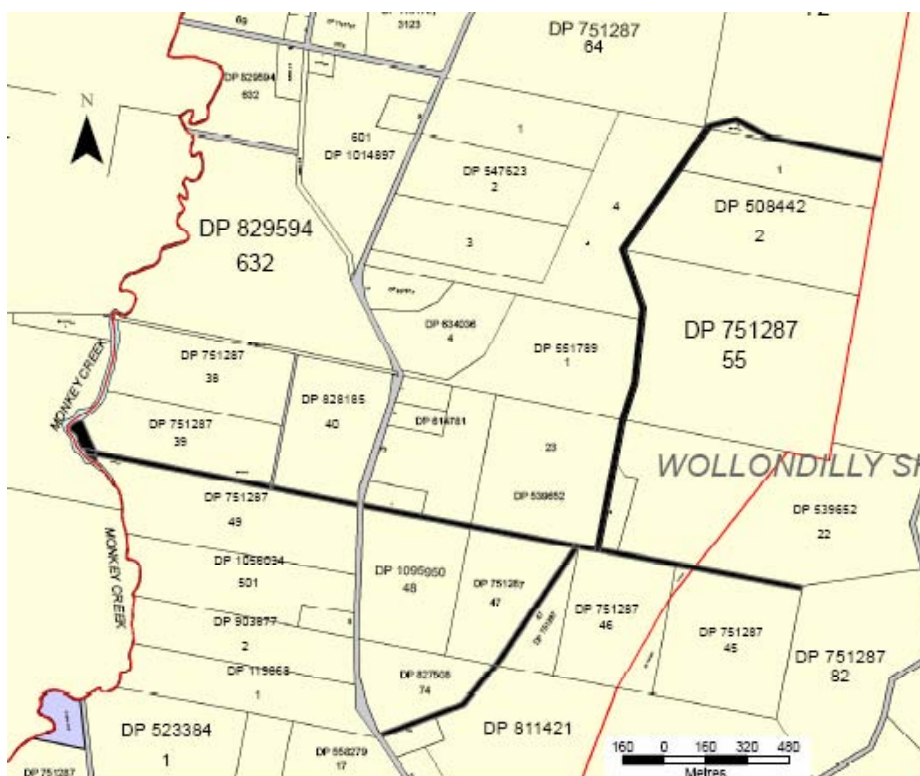
Representations are invited from the public on the draft assessment. These may be made in writing from Thursday 19 June 2008 for a period of four weeks until Thursday 17 July 2008 and should be sent to the Senior Environmental Officer (Land Management), NSW Department of Lands, Sydney Metropolitan Office, PO Box 3935, Parramatta NSW 2124.

TONY KELLY, M.L.C.,
Minister for Lands

Description – Crown land at Phillip Bay of about 7 hectares, currently occupied as Chinese Market Gardens. Comprises of Lots 1079, 1078, and 1077, Deposited Plan 752015. The land is located in the Parish of Botany, County of Cumberland, and Local Government Area of Randwick.

Contact: Dan Cross (02) 8836 5354.

File No. MN00H114



ROADS ACT, 1993
ORDER

Transfer of a Crown Road to a Council

IN pursuance of the provisions of Section 151, Roads Act, 1993, the Crown roads specified in each Schedule 1 are transferred to the Roads Authority specified in Schedule 2, hereunder, as from the date of publication of this notice and as from that date the roads specified in each Schedule 1 cease to be Crown roads.

TONY KELLY, M.L.C.,
Minister for Lands

SCHEDULE 1

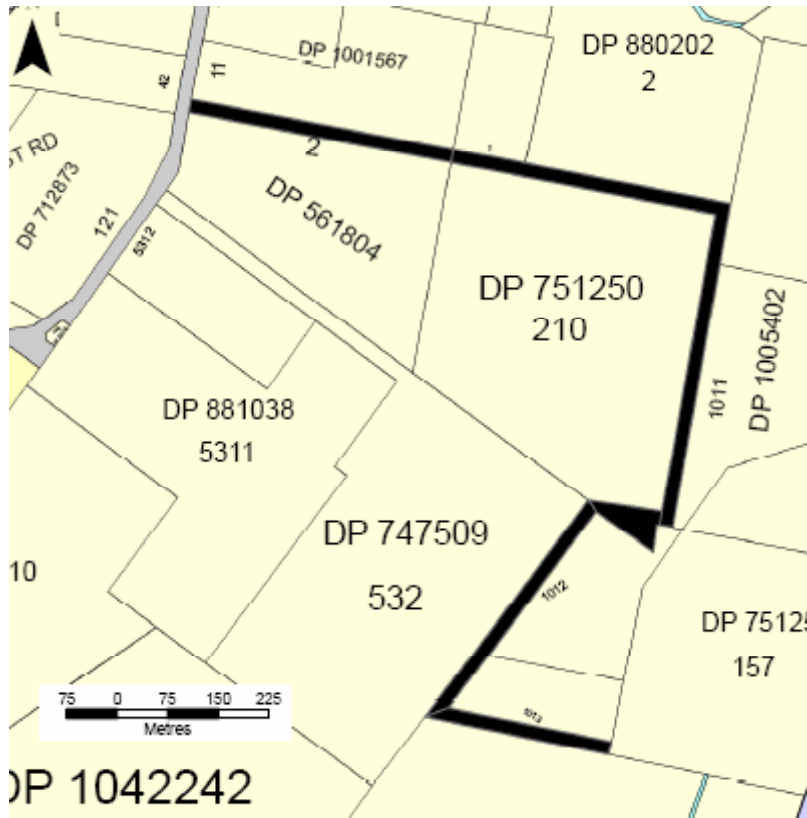
Land District – Picton;
Local Government Area – Wollondilly;
Parish – Picton;
County – Camden

- The Crown roads 20.115 metres wide known as Comber Ridge Road, Comber Ridge Road West and Sunnyside Road, The Oaks and the section of Crown road of variable width at the western end of Comber Ridge Road adjoining the eastern bank of Monkey Creek at The Oaks, as shown by solid black shading on the diagram, hereunder.

SCHEDULE 1

*Land District – Picton;
Local Government Area – Wollondilly;
Parish – Bargo;
County – Camden*

- The part of the Crown road at Pheasants Nest, being 20.115 metres wide and variable width, as shown by solid black shading on the diagram hereunder.



- The part of Pheasants Nest Road, Pheasants Nest, being Crown road 20.115 metres wide, extending from the north eastern corner of Lot 1 DP400703 southerly between the south eastern boundaries of Lot 1 DP400703 and Lot 1 DP120009 and the north western boundaries of Lot 22 DP623841 and Lot B DP392056, as far as the north eastern boundary of Lot 1 DP251761.
- The part of Jarvis Street, Thirlmere, between Station Street and Thirlmere Way.
- The part of Jarvis Street, Thirlmere, between Thirlmere Way and Dennis Street.
- The whole of Austins Lane, Thirlmere, extending from Station Street south easterly to the intersection with Thirlmere Way and Bronzewing Street West.

SCHEDULE 1

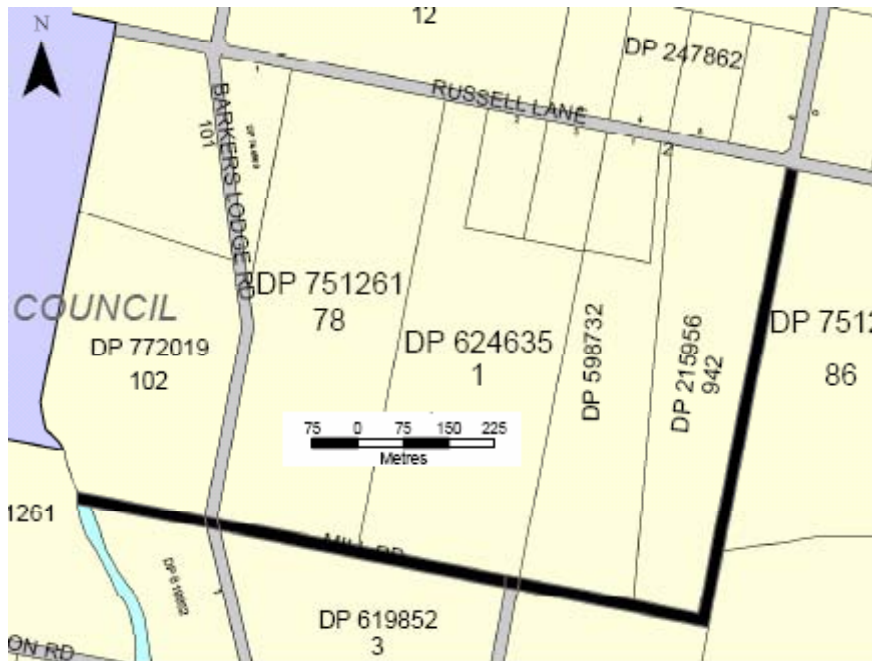
*Land District – Picton;
Local Government Area – Wollondilly;
Parish – Couridjah;
County – Camden*

- The whole of Molls Lane, Thirlmere, being Crown road 20.115 metres wide located between Lot 248 DP751270 and Lots 104 & 105 DP1035735.
- The whole of Dry Lakes Road, Thirlmere, being Crown road 20.115 wide located between Lot 376 DP 751270 and Lots 361 & 371 DP751270.
- The whole of George Ping Drive, Thirlmere, connecting Ryan Street to West Parade.
- The whole of Billabong Lane, Couridjah, being Crown road 6.235 metres wide from Couridjah Street southerly to South Street and the adjoining part of South Street as far as a straight line between the south eastern corner of Lot 426 DP751270 and the south western corner of Lot 112 DP855422.

SCHEDULE 1

*Land District – Picton;
Local Government Area – Wollondilly;
Parish – Burragorang;
County – Camden*

- The whole of Mill Road at Oakdale, being the Crown road 20.115 wide as shown by solid black shading on the diagram hereunder.



SCHEDULE 1

*Land District – Picton;
Local Government Area – Wollondilly;
Parish – Appin;
County – Cumberland*

- The whole of Quarter Sessions Road at Appin being a public road 6.095 metres wide located between Lots 302 and 303 DP623982.
- Market Street, Appin, being the Crown road 20.115 metres wide and variable width extending from Appin Road south easterly to the north eastern corner of Lot 62 DP752012 and continuing more south easterly abutting the north eastern boundaries of Lots 62 and 87 DP752012 and the intervening eastern end of King Street as far as the intersection with Illawarra Street at the most eastern north eastern corner of Lot 87 DP752012.
- The whole of Burke Street, Appin, being the Crown road 20.115 metres wide connecting Market Street to Toggerai Street.

SCHEDULE 2

Roads Authority: Wollondilly Shire Council.

File No: 08/3337.

Council's Reference: Trim 4387 #SS.

TAREE OFFICE
98 Victoria Street (PO Box 440), Taree NSW 2430
Phone: (02) 6591 3500 Fax: (02) 6552 2816

**DRAFT ASSESSMENT OF LAND UNDER PART 3
OF THE CROWN LANDS ACT 1989 AND CROWN
LANDS REGULATION 2006**

THE Minister for Lands has prepared a draft land assessment for the Crown Land described hereunder.

Inspection of this draft assessment can be made at the Department of Lands, 98 Victoria Street, Taree and at the Offices of Gloucester Shire Council during normal business hours and on the Lands Department website at http://www.lands.nsw.gov.au/crown_land/assessments.

Representations are invited from the public on the draft assessment. These may be made in writing for a period commencing from 13 June 2008 to 5 September 2008 and should be sent to the Team Leader, Land Management, Department of Lands, PO Box 440, Taree NSW 2430. Telephone enquiries should be directed to the Taree Office on (02) 6591 3500.

TONY KELLY, M.L.C.,
Minister for Lands

Description

Approximately 26 hectares of Crown Land just north of Carters Road, Curricabark, located approximately 40 kilometres North-West of Gloucester, Parish of Myra, County of Hawes.

Reason: To determine appropriate future land use and management options of the Crown Land.

Contact Officer: Mr Glenn Barrett.

File No.: TE89 H 190.

Description

Approximately 122 hectares of Crown Land fronting Gloucester Road, Giro, located about 15 kilometres south of Nowendoc, Parish of Giro, County of Hawes.

Reason: To determine appropriate future land use and management options of the Crown Land.

Contact Officer: Mr Glenn Barrett.

File No.: TE80 H 1881.

Description

Approximately 0.804 hectares of Crown Land fronting Coomba Road, Whoota, located about 15 kilometres south west of Forster/Tuncurry, Parish of Forster, County of Gloucester.

Reason: In response to an enquiry for the use of the land for access, through purchase or tenure.

Contact Officer: Mr Glenn Barrett.

File No.: TE80 H 874.

**REVOCATION OF RESERVATION OF CROWN
LAND**

PURSUANT to section 90 of the Crown Lands Act 1989, the reservations of Crown Land specified in Column 1 of the Schedule hereunder, is revoked to the extent specified opposite thereto in Column 2 of the Schedule.

TONY KELLY, M.L.C.,
Minister for Lands

SCHEDULE

<i>Column 1</i>	<i>Column 2</i>
Land District: Kempsey. Local Government Area: Kempsey Shire Council. Locality: Willi Willi. Reserve No.: 97622. Public Purpose: Public recreation. Notified: 14 December 1984. File No.: TE95 R 7.	The whole being Lot 2, DP 752407, Parish Clarke, County Dudley. Area: 8170 square metres.

WAGGA WAGGA OFFICE
Corner Johnston and Tarcutta Streets (PO Box 60), Wagga Wagga NSW 2650
Phone: (02) 6937 2700 Fax: (02) 6921 1851

ROADS ACT 1993**ORDER**

Transfer of Crown Road to a Council

IN pursuance of the provisions of Section 151, Roads Act 1993, the Crown public roads specified in Schedule 1 are transferred to the Roads Authority specified in Schedule 2 hereunder, as from the date of publication of this notice and as from that date, the roads specified in Schedule 1 cease to be Crown public road.

TONY KELLY, M.L.C.,
Minister for Lands

Parish – Yambla;
County – Goulburn;
Land District – Albury;
City – Albury

SCHEDULE 1

Crown Public Road variable width described as the road south of Lot 11 DP 1006496 & the southernmost 124 metres east of Lot 11 DP 1006496.

SCHEDULE 2

Roads Authority: Albury City Council.

File No: 08/2351.

NOTIFICATION OF CLOSING OF A ROAD

IN pursuance of the provisions of the Roads Act, 1993, the road hereunder specified is closed, the road ceases to be a public road and the rights of passage and access that previously existed in relation to the road are extinguished.

TONY KELLYL, M.L.C.,
Minister for Lands

Description

Parish – Walbundrie;
County – Hume;
Land District – Albury;
Shire – Greater Hume

Road Closed: Lot 1 in DP 1121579 at Walbundrie.

File No: WA05H61.

Note: On closing, the land within Lot 1 in DP 1121579 remains vested in the State of New South Wales as Crown land.

NOTIFICATION OF CLOSING OF A ROAD

IN pursuance of the provisions of the Roads Act, 1993, the road hereunder specified is closed, the road ceases to be a public road and the rights of passage and access that previously existed in relation to the road are extinguished.

TONY KELLYL, M.L.C.,
Minister for Lands

Description

Parish – Yarragundry;
County – Mitchell;
Land District – Wagga Wagga;
City – Wagga Wagga

Road Closed: Lot 1 in DP 1116195 at Uranquinty.

File No: WA05H472.

Note: On closing, the land within Lot 1 in DP 1116195 remains vested in the State of New South Wales as Crown land.

NOTIFICATION OF CLOSING OF A ROAD

IN pursuance of the provisions of the Roads Act, 1993, the road hereunder specified is closed, the road ceases to be a public road and the rights of passage and access that previously existed in relation to the road are extinguished.

TONY KELLYL, M.L.C.,
Minister for Lands

Description

Parish – Morven;
County – Hume;
Land District – Albury;
Shire – Greater Hume

Road Closed: Lot 1 in DP 1118888 at Morven.

File No: WA05H119.

Note: On closing, the land within Lot 1 in DP 1118888 remains vested in the State of New South Wales as Crown land.

NOTIFICATION OF CLOSING OF A ROAD

IN pursuance of the provisions of the Roads Act, 1993, the road hereunder specified is closed, the road ceases to be a public road and the rights of passage and access that previously existed in relation to the road are extinguished.

TONY KELLYL, M.L.C.,
Minister for Lands

Description

Parish – Brangalban;
County – Bourke;
Land District – Wagga Wagga;
Shire – Coolamon

Road Closed: Lot 1 in DP 1119994 at Cowabbie.

File No: WA05H249.

Note: On closing, the land within Lot 1 in DP 1119994 remains vested in the State of New South Wales as Crown land.

WESTERN REGION OFFICE
45 Wingewarra Street (PO Box 1840), Dubbo NSW 2830
Phone: (02) 6883 3000 Fax: (02) 6883 3099

WITHDRAWAL OF LANDS FROM WESTERN LANDS LEASES

PURSUANT to section 35Q of the Western Lands Act, 1901, the lands described in Column 1 of the Schedule hereunder are withdrawn from the leases described in Column 2 of the Schedule for the purpose of being dedicated as public roads.

TONY KELLY, M.L.C.,
Minister for Lands

SCHEDULE

Descriptions

*Counties of Farnell and Evelyn;
Administrative Districts of Broken Hill and Milparinka;
Unincorporated Area*

<i>Column 1</i>	<i>Column 2</i>	<i>Column 3</i>	<i>Column 4</i>	<i>Column 5</i>
LOT/DP	LEASE AFFECTED	TITLE AFFECTED	WITHDRAWN AREA (ha)	NEW LEASE AREA (ha)
1/1126355	2954	995/762147	57.98	20888
2/1126355	2978	994/762146	113.4	37377
3/1126355	2953	993/762145	124.1	33764
4/1126355	4671	3364/765620	38.83	10156
5/1126355 6/1126355 16/1126355	5939	3525/765818	205.2	48746
7/1126355	2429	477/761339	46.90	45966
8/1126355	12797	4887/43256	118.5	18037
9/1126355	12798	4888/43256	56.73	7554
10/1126355	3097	1101/762406	48.71	27996
11/1126355	12795	4885/43266	29.54	3062
12/1126355	2523	553/761613	57.20	11715
13/1126355 14/1126355	6025	5549/768459 1751/764152	41.46	5177
15/1126355	6020	4805/769020	6.561	29025
17/1126355	6252	3532/765825	209.7	45946
18/1126355	6031	3566/765918	15.55	59350

FILE REFERENCE: 08/2514.

**DEDICATION OF CROWN LAND AS PUBLIC
ROAD**

PURSUANT to section 12 of the Roads Act, 1993, the Crown land described hereunder is, from the date of publication of this notice, dedicated as public road. The public road hereby dedicated is declared not to be Crown road within the meaning of the Roads Act 1993.

TONY KELLY, M.L.C.,
Minister for Lands

Descriptions

*Counties of Farnell and Evelyn;
Administrative Districts of Broken Hill and Milparinka
Unincorporated Area*

Lot 1 DP 1126355, Lot 2 DP 1126355, Lot 3 DP 1126355,
Lot 4 DP 1126355, Lot 5 DP 1126355, Lot 6 DP 1126355, Lot
7 DP 1126355, Lot 8 DP 1126355, Lot 9 DP 1126355, Lot 10
DP 1126355, Lot 11 DP 1126355, Lot 12 DP 1126355, Lot 13
DP 1126355, Lot 14 DP 1126355, Lot 15 DP 1126355, Lot 16
DP 1126355, Lot 17 DP 1126355, Lot 18 DP 1126355.

FILE REFERENCE: 08/2514.

Department of Planning



New South Wales

State Environmental Planning Policy (Major Projects) 2005 (Amendment No 12)

under the

Environmental Planning and Assessment Act 1979

Her Excellency the Governor, with the advice of the Executive Council, has made the following State environmental planning policy under the *Environmental Planning and Assessment Act 1979* in accordance with the recommendation made by the Minister for Planning. (S06/00796-1)

FRANK SARTOR, M.P.,
Minister for Planning

Clause 1 State Environmental Planning Policy (Major Projects) 2005 (Amendment No 12)

State Environmental Planning Policy (Major Projects) 2005 (Amendment No 12)

under the

Environmental Planning and Assessment Act 1979

1 Name of Policy

This Policy is *State Environmental Planning Policy (Major Projects) 2005 (Amendment No 12)*.

2 Aim of Policy

This Policy aims to declare development for the purposes of the Queensland–Hunter Gas Pipeline to be a critical infrastructure project for the purposes of Part 3A of the Act.

3 Land to which Policy applies

This Policy applies to the local government areas of Moree Plains, Narrabri, Gunnedah, Liverpool Plains, Upper Hunter, Muswellbrook, Singleton, Maitland, Port Stephens and Newcastle.

4 Amendment of State Environmental Planning Policy (Major Projects) 2005

State Environmental Planning Policy (Major Projects) 2005 is amended as set out in Schedule 1.

State Environmental Planning Policy (Major Projects) 2005 (Amendment No 12)

Amendment

Schedule 1

Schedule 1 Amendment

(Clause 4)

Schedule 5 Critical infrastructure projects

Insert after clause 3:

4 Queensland–Hunter Gas Pipeline

Development for the purposes of a high pressure natural gas transmission pipeline from the Walumbilla Gas Hub in South Central Queensland to connect with the Sydney to Newcastle pipeline near Newcastle in New South Wales, including development for any of the following purposes:

- (a) the construction of pigging stations, valve stations, and connection points to other pipelines and facilities,
- (b) the construction of a secondary pipeline that will branch off the main pipeline in the local government area of Maitland,
- (c) the erection of perimeter security fences, security and service lighting and signage,
- (d) the installation of communication and telemetry towers,
- (e) the installation of cathodic protection devices,
- (f) excavation, drilling, interim spoil storage, spoil replacement or disposal and site remediation,
- (g) erosion and sediment control works,
- (h) the construction of pipeline corridor access tracks,
- (i) river and creek crossings,
- (j) road and railway crossings,
- (k) temporary fencing around work sites and open excavations,
- (l) transportation and temporary storage of pipes and associated equipment by road or rail,
- (m) the establishment and removal of construction camps,
- (n) the provision and disposal of water for pipeline hydrostatic testing.



New South Wales

Sutherland Shire Local Environmental Plan 2006 (Amendment No 5)

under the

Environmental Planning and Assessment Act 1979

I, the Minister for Planning, make the following local environmental plan under the *Environmental Planning and Assessment Act 1979*. (P08/00039/PC)

FRANK SARTOR, M.P.,
Minister for Planning

Clause 1 Sutherland Shire Local Environmental Plan 2006 (Amendment No 5)

Sutherland Shire Local Environmental Plan 2006 (Amendment No 5)

under the

Environmental Planning and Assessment Act 1979

1 Name of plan

This plan is *Sutherland Shire Local Environmental Plan 2006 (Amendment No 5)*.

2 Aims of plan

This plan aims to reclassify the land to which this plan applies from community land to operational land within the meaning of the *Local Government Act 1993*.

3 Land to which plan applies

This plan applies to part of Lot 2, DP 786685, being part of 99R Caldarra Avenue, Engadine, as shown edged heavy black on the map marked "Sutherland Shire Local Environmental Plan 2006 (Amendment No 5)" deposited in the office of Sutherland Shire Council.

4 Amendment of Sutherland Shire Local Environmental Plan 2006

Sutherland Shire Local Environmental Plan 2006 is amended by omitting from Part 2 of Schedule 4 the matter relating to Engadine and by inserting instead the following words:

Engadine

99R Caldarra Avenue (part)	Part of Lot 2, DP 786685, as shown edged heavy black on the map marked "Sutherland Shire Local Environmental Plan 2006 (Amendment No 5)"	Easements (D20889, H166931 and U335084) as noted on Certificate of Title Folio Identifier 2/786685
----------------------------	--	--

Department of Primary Industries

AGRICULTURAL INDUSTRY SERVICES ACT 1998

Appointment of Members to Riverina Citrus

IN accordance with the provisions contained in clause 10(1) (a) and (b) of the Agricultural Industry Services (Riverina Citrus) Regulation 2007, the following persons have been re-appointed to fill positions on the Committee of Riverina Citrus:

Frank BATTISTEL
Domenic MANCINI
Susan BRIGHENTI
Wayne ROBINSON
Joseph VALENZISI

The appointment is for a term of office commencing on 8 June 2008 and expiring on 7 June 2011.

Dated this 27th day of May 2008.

IAN MACDONALD, M.L.C.,
Minister for Primary Industries

FISHERIES MANAGEMENT ACT 1994

Protocol under Woolli River Quarantine Order

Relocation of Oysters from Woolli River to Wonboyn Lake

I, RENATA BROOKS, Deputy Director-General Agriculture, Biosecurity and Mine Safety approve the following Protocol for the relocation of oysters, as an approved protocol for the purposes of paragraph 4(d) of the Quarantine Order made by DOUG HOCKING pursuant to section 183 of the Fisheries Management Act 1994 on 7 March 2007 and published in the NSW Government Gazette No 41 on 9 March 2007 at pages 1752-1753:

Protocol

- Oysters may be relocated from the Woolli River directly to the Wonboyn Lake from the date of this protocol to 30 November 2008 but only in accordance with the Oyster Shipment Log Book System for the movement of oysters.

NOTE:

- Oyster Shipment Log Books are available on application from the NSW DPI Aquaculture Administration Branch, Locked Bag 1, Nelson Bay NSW 2315.
- The Oyster Shipment Log Book System for the movement of oysters includes a requirement that, at least 48 hours prior to any shipment of oysters, the local District Fisheries Office be provided with the identity of the shipper, the nature of the shipment, the destination of the shipment and the Oyster Shipment Log Book shipment permit number.
- Further details regarding the Oyster Shipment Log Book System for the movement of oysters are available from the NSW Department of Primary Industries Port Stephens Fisheries Centre, Taylors Beach Road, Taylors Beach, phone (02) 4982 1232 and at <http://www.dpi.nsw.gov.au>.

Dated this 6th day of June 2008.

RENATA BROOKS,
Deputy Director-General Agriculture, Biosecurity
and Mine Safety
NSW Department of Primary Industries

DEPARTMENT OF MINERAL RESOURCES

NOTICE is given that the following applications have been received:

EXPLORATION LICENCE APPLICATIONS

(T08-0097)

No. 3499, CLANCY EXPLORATION LIMITED (ACN 105 578 756), area of 33 units, for Group 1, dated 5 June, 2008. (Cobar Mining Division).

(T08-0098)

No. 3500, CLANCY EXPLORATION LIMITED (ACN 105 578 756), area of 12 units, for Group 1, dated 5 June, 2008. (Orange Mining Division).

(T08-0099)

No. 3501, ANTHONY GILBERT MARTIN, area of 4 units, for Group 1, dated 5 June, 2008. (Sydney Mining Division).

(T08-0100)

No. 3502, CENTRAL WEST GOLD NL (ACN 003 078 591), area of 6 units, for Group 1, dated 5 June, 2008. (Inverell Mining Division).

(T08-0101)

No. 3503, AUSTRALIAN GOLD INVESTMENTS LIMITED (ACN 124 873 507), area of 45 units, for Group 1, dated 6 June, 2008. (Armidale Mining Division).

PETROLEUM EXPLORATION LICENCE APPLICATIONS

(T08-0012)

No. 100, MACQUARIE ENERGY PTY LTD (ACN 113 972 473), area of 44 blocks, dated 7 March, 2008. (Sydney Onshore Basin).

(T08-0013)

No. 101, MACQUARIE ENERGY PTY LTD (ACN 113 972 473), area of 13 blocks, dated 7 March, 2008. (Gunnedah Surat Basin).

(T08-0151)

No. 102, NEW WORLD PETROLEUM (NSW) PTY LIMITED (ACN 130 286 565), area of 141 blocks, dated 5 June, 2008. (Murray and Oaklands Basins).

(T08-0152)

No. 103, NEW WORLD PETROLEUM (NSW) PTY LIMITED (ACN 130 286 565), area of 143 blocks, dated 5 June, 2008. (Not located within an identified Basin).

PETROLEUM SPECIAL PROSPECTING AUTHORITY APPLICATIONS

(T08-0015)

No. 34, EAST COAST POWER PTY LTD (ACN 119 110 057), area of 35 blocks, dated 3 April, 2008. (Surat Basin).

(07-576)

No. 35, PLATIGRAF PTY LIMITED (ACN 068 812 171), area of 20 blocks, dated 2 June, 2008. (Sydney Onshore and Gunnedah Basins).

**PETROLEUM ASSESSMENT LEASE
APPLICATIONS**

(T08-0014)

No. 4, REDRAR PTY LIMITED (ACN 003 992 185), area of 1 block, dated 12 March, 2008. (Sydney Onshore Basin).

IAN MACDONALD, M.L.C.,
Minister for Mineral Resources

NOTICE is given that the following applications have been granted:

EXPLORATION LICENCE APPLICATION

(T08-0023)

No. 3423, now Exploration Licence No. 7143, ANTHONY GILBERT MARTIN, Counties of Auckland and Wellesley, Map Sheet (8824), area of 7 units, for Group 1, dated 27 May, 2008, for a term until 27 May, 2010.

(T08-0023)

No. 3423, now Exploration Licence No. 7144, ANTHONY GILBERT MARTIN, Counties of Auckland and Wellesley, Map Sheets (8723, 8724, 8823, 8824), area of 140 units, for Group 1, dated 27 May, 2008, for a term until 27 May, 2010.

**PETROLEUM SPECIAL PROSPECTING
AUTHORITY APPLICATIONS**

(07-573)

No. 8, now Petroleum Production Lease No. 6, AGL GAS PRODUCTION (CAMDEN) PTY LIMITED AND SYDNEY GAS (CAMDEN) OPERATIONS PTY LTD (ACN 100 684 419), area of 725.8 hectares, for petroleum, dated 29 May, 2008, for a term until 29 May, 2029. (Sydney Mining Division). For exact location details refer to the Department's NSW State Map of Petroleum Titles. As a result of the grant of this title, Petroleum Exploration Licence No. 2 (Act 1991) has partly ceased to have effect.

**PETROLEUM ASSESSMENT LEASE
APPLICATIONS**

(T08-0014)

No. 4, REDRAR PTY LIMITED (ACN 003 992 185), Sydney Onshore Basin. Nullification took effect on 24 April 2008.

IAN MACDONALD, M.L.C.,
Minister for Mineral Resources

NOTICE is given that the following applications for renewal have been received:

(03-852)

Exploration Licence No. 6273, DRAKE RESOURCES LTD (ACN 108 560 069), area of 67 units. Application for renewal received 10 June, 2008.

(06-69)

Exploration Licence No. 6572, CULLEN EXPLORATION PTY LIMITED (ACN 077 371 165), area of 71 units. Application for renewal received 4 June, 2008.

(08-4656)

Coal Lease No. 316 (Act 1973), NAMOI VALLEY COAL PTY LIMITED (ACN 001 234 000), area of 4772 hectares. Application for renewal received 6 June, 2008.

(T91-385)

Mining Purposes Lease No. 107 (Act 1973), MOLYNEUX RUSH PTY LTD (ACN 003 707 846), area of 6872 square metres. Application for renewal received 10 June, 2008.

(08-2417)

Petroleum Exploration Licence No. 285, LUCAS ENERGY PTY LIMITED (ACN 092 684 010) and MOLOPO (GLOUCESTER) N.L. (ACN 075 137 218), area of 14 blocks. Application for renewal received 14 March 2008.

(04-765)

Petroleum Exploration Licence No. 447, RED SKY ENERGY LIMITED (ACN 099 116 275), area of 138 blocks. Application for renewal received 25 March 2008.

(04-766)

Petroleum Exploration Licence No. 448, RED SKY ENERGY LIMITED (ACN 099 116 275), area of 125 blocks. Application for renewal received 25 March 2008.

(04-767)

Petroleum Exploration Licence No. 449, RED SKY ENERGY LIMITED (ACN 099 116 275), area of 118 blocks. Application for renewal received 25 March 2008.

(06-4888)

Petroleum Exploration Licence No. 427, COMET RIDGE LTD (ACN 106 092 577) and ORION PETROLEUM LIMITED (ACN 125 394 667), area of 97 blocks. Application for renewal received 6 May 2008.

IAN MACDONALD, M.L.C.,
Minister for Mineral Resources

RENEWAL OF CERTAIN AUTHORITIES

NOTICE is given that the following authorities have been renewed:

(M86-0578)

Authorisation No. 385, CUMNOCK NO.1 COLLIERY PTY LIMITED (ACN 051 932 122), County of Durham, Map Sheets (9033, 9133), area of 736 hectares, for a further term until 2 June, 2011. Renewal effective on and from 28 May, 2008.

(06-6777)

Exploration Licence No. 5674, SILVER MINES LIMITED (ACN 107 452 942), County of Gough, Map Sheet (9239), area of 4 units, for a further term until 12 January, 2010. Renewal effective on and from 3 June, 2008.

(05-305)

Exploration Licence No. 6542, MINING EXPLORATION PTY LTD (ACN 113 513 321), Counties of Farnell and Yancowinna, Map Sheet (7134), area of 5 units, for a further term until 21 March, 2010. Renewal effective on and from 29 May, 2008.

(06-415)

Petroleum Exploration Licence No. 432, BOW ENERGY LTD (ACN 111 019 857) and CONSTELLATION ENERGY PTY LTD (ACN 111 085 360), area of about 6 blocks, for a further term until 21 December 2009. Renewal effective on and from 20 February 2008.

IAN MACDONALD, M.L.C.,
Minister for Mineral Resources

CANCELLATION OF AUTHORITY AT REQUEST OF HOLDER

NOTICE is given that the following authority has been cancelled:

(06-86)

Exploration Licence No. 6584, MINERAL SANDS LIMITED (ACN 103 006 542), County of Windeyer, Map Sheets (7131, 7132, 7231, 7232), area of 200 units. Cancellation took effect on 6 June, 2008.

IAN MACDONALD, M.L.C.,
Minister for Mineral Resources

EXPIRY

NOTICE is given that the following authorities have expired:

(05-4016)

Petroleum Special Prospecting Authority No. 13, MACQUARIE ENERGY PTY LTD (ACN 113 972 473). This title expired on 7 March 2008.

(05-4017)

Petroleum Special Prospecting Authority No. 14, MACQUARIE ENERGY PTY LTD (ACN 113 972 473). This title expired on 7 March 2008.

(05-4018)

Petroleum Special Prospecting Authority No. 15, MACQUARIE ENERGY PTY LTD (ACN 113 972 473). This title expired on 7 March 2008.

(05-4019)

Petroleum Special Prospecting Authority No. 16, MACQUARIE ENERGY PTY LTD (ACN 113 972 473). This title expired on 7 March 2008.

(06-4299)

Petroleum Special Prospecting Authority No. 17, MACQUARIE ENERGY PTY LTD (ACN 113 972 473). This title expired on 7 March 2008.

(06-4321)

Petroleum Special Prospecting Authority No. 18, MACQUARIE ENERGY PTY LTD (ACN 113 972 473). This title expired on 7 March 2008.

IAN MACDONALD, M.L.C.,
Minister for Mineral Resources

POULTRY MEAT INDUSTRY ACT 1986

Poultry Meat Industry Advisory Group

I, IAN MACDONALD, MLC. Minister for Primary Industries, pursuant to Section 6A(3)(b) of the Poultry Meat Industry Act 1986, hereby appoint the following persons as processor members of the Poultry Meat Industry Advisory Group from the date of this appointment for a term of two years.

John Cordina
Alan Wilson
Graham Kirby

Dated this 27th day of May 2008.

IAN MACDONALD, M.L.C.,
Minister for Primary Industries

STOCK DISEASES ACT 1923

Appointment of Inspector

Notification No: 490

I, RICHARD FREDERICK SHELDRAKE, Director-General of NSW Department of Primary Industries, pursuant to section 6(1) of the Stock Diseases Act 1923, ("the Act"), hereby appoint Joan Elizabeth KLEYNHANS-JORDAAN and Emma-Louise Isabel MCINTYRE as inspectors for the purposes of the Act.

Dated this 6th day of June 2008.

R. F. SHELDRAKE,
Director-General
NSW Department of Primary Industries

Roads and Traffic Authority

ROADS ACT 1993

LAND ACQUISITION (JUST TERMS COMPENSATION) ACT 1991

Notice of Compulsory Acquisition of Land at Homebush
in the Canada Bay City Council area

THE Roads and Traffic Authority of New South Wales by its delegate declares, with the approval of Her Excellency the Governor, that the land described in the schedule below is acquired by compulsory process under the provisions of the Land Acquisition (Just Terms Compensation) Act 1991 for the purposes of the Roads Act 1993.

T D Craig
Manager, Compulsory Acquisition & Road Dedication
Roads and Traffic Authority of New South Wales

SCHEDULE

ALL that piece or parcel of Crown land situated in the Canada Bay City Council area, Parish of Concord and County of Cumberland, shown as Lot 11 Deposited Plan 262881, being part of the land in Reserve No 56146 from Sale or Lease Generally, notified in the Government Gazette of 11 May 1923.

(RTA Papers FPP 8M2050; RO F4/93.11052)

ROADS ACT 1993

LAND ACQUISITION (JUST TERMS COMPENSATION) ACT 1991

Notice of Compulsory Acquisition of Land at Drummoyne
in the Canada Bay City Council area

THE Roads and Traffic Authority of New South Wales by its delegate declares, with the approval of Her Excellency the Governor, that the land described in the schedule below is acquired by compulsory process under the provisions of the Land Acquisition (Just Terms Compensation) Act 1991 for the purposes of the Roads Act 1993.

T D Craig
Manager, Compulsory Acquisition & Road Dedication
Roads and Traffic Authority of New South Wales

SCHEDULE

ALL that piece or parcel of public road situated in the Canada Bay City Council area, Parish of Concord and County of Cumberland, shown as Lot 50 Deposited Plan 1125353, being the whole of the land remaining in Certificate of Title Volume 3150 Folio 246.

The land is said to be in the possession of Canada Bay City Council.

(RTA Papers: FPP 8M2015; RO 93.12057)

ROAD TRANSPORT (VEHICLE REGISTRATION) ACT 1997

Notice Fixing Fees

I, LES WIELINGA, Chief Executive of the Roads and Traffic Authority, pursuant to section 8(1)(k) of the Road Transport (Vehicle Registration) Act 1997 and clause 77 of the Road Transport (Vehicle Registration) Regulation 2007, FIX the fees set out in Column 2 of the Schedule to this Notice in respect of the services shown opposite to them in Column 1 of that Schedule.

This Notice takes effect on 1 July 2008.

LES WIELINGA,
Chief Executive
Roads and Traffic Authority

NOTE: This Notice replaces the Notices published in NSW Government Gazettes:

- No. 81 of 22 June 2007 at page 3836
- No. 108 of 31 August 2007 at page 6091
- No. 36 of 20 March 2008 at page 2452

SCHEDULE

<i>Column 1</i>	<i>Column 2</i>
	\$
1. Duplicate certificate of registration	18
2. Duplicate registration label	18
3. Issue of a bicycle rack number-plate or issue of a bicycle rack number-plate in substitution for a surrendered bicycle rack number plate	34
4. Remade plates – Numeral only plates	
Vitreous enamel	144
Aluminium	50
5. Book of inspection reports for issue at authorised inspection station:	
Book containing 100 reports	87
6. Copy of rules for authorised inspection station	59
7. Certificate from records pursuant to Clause 15(6)	25
8. Vehicle to be inspected by the Authority for the purpose of identification prior to the establishment of registration:	
(i) Booking fee for all vehicles	55
(ii) Inspection of a vehicle on the national written off vehicle register, as maintained by roads authorities in each jurisdiction	356
9. Information from records (other than a certificate pursuant to Clause 15(7))	18
10. Transfer of right to display plates	
Personalised Plus plates only	166
11. Transfer of Numeral only plates - Vehicle Plates:	
(i) Category 1, 1 digit plate	8361
(ii) Category 2, 2 digit plate	3344
(iii) Category 3, 3 digit plate	1672
(iv) Category 4, 4 digit plate	836
(v) Category 5, 5 digit plate	333
(vi) Category 6, 6 digit plate	165
12. Transfer of Numeral only plates - Motorcycle Plates	
(i) Category 1, 1 digit plate	1672
(ii) Category 2, 2 digit plate	333
(iii) Category 3, 3 digit plate	165
(iv) Category 4, 4 digit plate	122
(v) Category 5, 5 digit plate	81
(vi) Category 6, 6 digit plate	N/A

13. Packing & Posting - Plates.....	21
14. Packing & Posting - Inspection Report Books	19
15. Fee for Cancellation of Registration	23
16. Permit to use unregistered vehicle	18
17. Remade Plates - Centenary of Federation	50
18. Remade Plates - Limited Edition Centenary of Federation Plates.....	50
19. European plates	
(i) Order fee	30
(ii) Standard annual plate fee	100
(iii) Personalised annual content fee	60
(iv) Personalised annual style fee	100
(v) Remake fee.....	30
20. Administration fee for Conditional Registration.....	18
21. Regional Theme plates	
(i) Personalised annual content fee	60
(ii) Personalised annual style fee	70
(iii) Remake fee	50
22. Coloured plates (red, blue, purple, green)	
(i) Order fee	30
(ii) Annual style fee	70
(iii) Personalised annual content fee	60
(iv) Personalised Plus annual content fee	400
(v) Remake fee.....	30
23. Metallic plates	
(i) Order fee	30
(ii) Annual style fee	100
(iii) Personalised annual content fee	60
(iv) Personalised Plus annual content fee	400
(v) Remake fee.....	30
24. Wallaby plates	
(i) Annual style fee	90
(ii) Personalised annual content fee	60
(iii) Remake fee	50
25. Personalised Yellow plates (vehicle and motorcycle)	
(i) Order fee	30
(ii) Personalised annual content fee	60
(iii) Remake fee	35
26. Custom Yellow plates	
(i) Order fee (Personalised Plus only).....	30
(ii) Annual content fee (Personalised Plus only)	400
(iii) Remake fee (Personalised Plus only)	30
27. White plates	
(i) Personalised and personalised plus annual style fee.....	30
(ii) Personalised annual content fee	60
(iii) Personalised Plus annual content fee	400
(iv) Remake fee	50
28. White Bordered plates	
(i) Order fee (Standard only).....	70
(ii) Order fee (Personalised and Personalised Plus only)	30
(iii) Annual style fee (Personalised and Personalised Plus only).....	30

(iv) Personalised annual content fee	60
(v) Personalised Plus annual content fee	400
(vi) Remake fee	30
29. Black plates	
(i) Order fee (Personalised only).....	30
(ii) Annual style fee (Personalised only).....	70
(iii) Annual content fee (Personalised only).....	60
(iv) Remake fee	30
30. Sydney Harbour Bridge plates	
(i) Annual style fee.....	49
(iii) Remake fee	30
(iv) Remake fee (Limited Edition).....	100
31. Motorcycle plates	
(i) Order fee (excluding standard yellow)	30
(ii) Annual style fee (personalised yellow or custom yellow)	20
(iii) Annual style fee (black or coloured)	30
(iv) Annual style fee (metallic)	40
(v) Annual content fee (personalised)	20
(vi) Annual content fee (personalised plus).....	150
(vii) Remake fee (excluding standard yellow)	30
32. NRL plates	
(i) Order fee	30
(ii) Annual style fee (personalised)	80
(iii) Annual content fee (personalised).....	60
(iv) Annual style fee (personalised plus).....	80
(v) Annual content fee (personalised plus).....	400
(vi) Remake fee	50
(vii) Remake fee (Premier Edition).....	100
33. Number Plate Hold Fee	50
34. Number Plate Exchange Fee	50
35. Yellow (Personalised Trailer) One off fee.....	189

ROAD TRANSPORT (DRIVER LICENSING) ACT 1998

Notice Fixing Fees

I, LES WIELINGA, Chief Executive of the Roads and Traffic Authority, pursuant to section 10 of the Road Transport (Driver Licensing) Act 1998 and clause 62 of the Road Transport (Driver Licensing) Regulation 1999, FIX the fees set out in the Schedule to this Notice in respect of the services appearing adjacent to them.

This Notice takes effect on 1 July 2008.

LES WIELINGA,
Chief Executive
Roads and Traffic Authority

NOTE: This Notice replaces the Notice published in NSW Government Gazette No. 81 of 22 June 2007 at page 3836

SCHEDULE

1. Sound Advice	11
2. CBA Assessors Course	978
3. Motorcycle Riding Instructor Training Course.....	626
4. Learner Replacement Logbook	13
5. Issue of provisional licence passenger restriction exemption letter.....	25
6. Issue of provisional licence prohibited motor vehicle restriction exemption letter.....	25
7. Issue of a replacement provisional licence passenger restriction exemption letter	11
8. Issue of a replacement provisional licence prohibited motor vehicle restriction exemption letter.....	11
9. Issue of provisional P1 licences – restriction on passengers under 21 exemption letter	25
10. Issue of replacement provisional P1 licences - restriction on passengers under 21 exemption letter.....	11

ROADS AND TRAFFIC AUTHORITY

ROAD TRANSPORT (SAFETY AND TRAFFIC MANAGEMENT) ACT 1999

Order Fixing Fees

I, LES WIELINGA, Chief Executive of the Roads and Traffic Authority, pursuant to clause 126E of the Road Transport (Safety and Traffic Management) (Road Rules) Regulation 1999, do by this Order fix the fees set out in the Schedule to this Order in respect of the services shown adjacent to them.

This Order takes effect on 1 July 2008.

LES WIELINGA,
Chief Executive
Roads and Traffic Authority

NOTE: This Order replaces the Order published in NSW Government Gazette No. 81 of 22 June 2007 at page 3838

 SCHEDULE

Services	\$
Fee for the issue of an individual or organisational mobility parking scheme authority (except where the applicant is an eligible pensioner)	\$33 per authority
Fee for the issue of a temporary mobility parking scheme authority (except where the applicant is an eligible pensioner)	\$11 per authority
Fee for the issue of a replacement mobility parking scheme authority (except where the applicant is an eligible pensioner)	\$11 per authority
Fee for the issue of a replacement mobility parking scheme authority where the applicant is an eligible pensioner	\$6 per authority

In this Schedule, an eligible pensioner means a person:

- (a) who is the holder of a current New South Wales Pensioner Concession Card which is in force issued by the Commonwealth Department of Social Security or the Commonwealth Department of Veterans' Affairs, or
- (b) who is receipt of an amount of 70% or higher of a disability pension paid by the Commonwealth Department of Veterans' Affairs, or an Intermediate or Extreme Disablement Adjustment Pension, or
- (c) who is an armed services widow within the meaning of the Social Security Act 1991 of the Commonwealth, and
 - (i) who is in receipt of a pension under Part II or IV of the Veterans' Entitlements Act 1986 of the Commonwealth at the maximum rate applicable under section 1064 (5) of the Social Security Act 1991 of the Commonwealth, and
 - (ii) who is under the pension age for the person set out in section 5QA of the Veterans' Entitlement Act 1986 of the Commonwealth, or
- (d) who is under 16 years of age and named as a dependant on the current New South Wales Pensioner Concession Card in (a) above.

ROAD TRANSPORT (GENERAL) ACT 2005

Notice under Clause 20 of the Road Transport (Mass, Loading and Access) Regulation 2005

WARRUMBUNGLA SHIRE COUNCIL, in pursuance of Division 4 of Part 2 of the Road Transport (Mass, Loading and Access) Regulation 2005, by this Notice, specify the routes and areas on or in which Road Train vehicles may be used subject to any requirements or conditions set out in the Schedule.

ROBERT GERAGHTY,
General Manager,
Warrumbungle Shire Council
(by delegation from the Minister for Roads)

Dated 6 June 2008.

SCHEDULE
1. Citation

This Notice may be cited as the Warrumbungle Shire Council Road Train Vehicle Route Notice No. 1/2008.

2. Commencement

This Notice takes effect on the date of Gazettal.

3. Effect

This Notice remains in force until 30 September 2010 unless it is amended or repealed earlier.

4. Application

4.1 This Notice applies to those Road Train vehicles which comply with Schedule 1 to the Road Transport (Mass, Loading and Access) Regulation 2005 and Schedule 2 to the Road Transport (Vehicle Registration) Regulation 2007.

5. Routes

Road Train routes within the Warrumbungle Shire Council.

Type	Road No.	Road Name	Starting point	Finishing point	Conditions
RT	MR129	Narren Street, Baradine	Walker Street, Baradine	Warrigal Street, Baradine	Access prohibited on school days between the hours of 7.00am to 9.00am and 3.00pm to 5.00pm
RT	MR129	Warrigal Street, Baradine	Narren Street, Baradine	Warrumbungle Shire Boundary	Access prohibited on school days between the hours of 7.00am to 9.00am and 3.00pm to 5.00pm
RT	MR329	Gwabegar Road, Warrumbungle Shire	Warrigal Street, Baradine	Warrumbungle Shire Boundary	Access prohibited on school days between the hours of 7.00am to 9.00am and 3.00pm to 5.00pm

Department of Water and Energy

WATER ACT 1912

APPLICATIONS under section 10 of Part 2 of the Water Act 1912, have been received as follows:

North Coast

Avraham MISHTLER and Zehavit MISHTLER for a pump on the Oxley River on Lot 6, DP 777940, Parish Burrell, County Rous, for irrigation of 0.5 hectares (1 ML) (new licence – water entitlement obtained by way of permanent transfer) (Reference: 30SL067018).

Joseph John Tobias McGRATH and Barton Edward Thomas McGRATH for a pump on Nymboida River, Lot 5, DP 771429, Parish Shannon, County Fitzroy, for irrigation of 8 hectares (20 ML) (new licence – entitlement by way of permanent transfer) (Reference: 9047720).

Garnet Alan DIXON and Elisabeth Wiepkjen HASELGROVE for a pump on Orara River, Lot 140, DP 789434, Parish Qwyarigo, County Clarence, for irrigation of 3 hectares (4.5 ML) (replacement licence application) (Reference: 9046401).

Anthony Paul JENKINS and Susan Margaret JENKINS for a pump on Macleay River, Lot 82, DP 752419, Parish Kullatine, County Dudley, for irrigation of 1 hectare (5 ML) (new licence – entitlement by way of permanent transfer) (Reference: 9047721).

David Edward VERRALL and Angela Louise VERRALL for two pumps on Wilsons River, Lot 12, DP 755746 and Lot 2, DP 1110771, Parish Tuckurimba, County Rous, for irrigation of 22.5 hectares (50 ML) (amalgamation of existing licences) (Reference: 9047856).

Written objections to the application specifying the grounds thereof must be lodged with the Department of Water and Energy, PO Box 796, Murwillumbah NSW 2484, within 28 days of the date of publication.

AN application for a licence under Part 2, section 10 of the Water Act 1912, being within a proclaimed (declared) local area under section 5(4) has been received as follows:

Namoi River Valley

Jamie Leigh DRURY for a replacement licence on the Peel River on Lot 2, DP 732484, Parish Attunga, County Inglis, for 2 pumps, for an irrigation purpose (replaces existing entitlement 90SL42929 – no increase in water entitlement) (Reference: 90SL100912).

Written objections to the application specifying the grounds thereof may be made by any statutory authority or local occupier within the proclaimed area whose interests may be affected and must be lodged with the Department of Water and Energy, Locked Bag 10, Grafton NSW 2460, within 28 days of the date of publication.

DENNIS MILLING,
Manager,
Licensing

Other Notices

ASSOCIATIONS INCORPORATION ACT 1984

Cancellation of Incorporation Pursuant to Section 54

TAKE notice that the incorporation of the following associations is cancelled by this notice pursuant to section 54 of the Associations Incorporation Act 1984.

Cancellation is effective as at the date of gazettal.

Armidale Community Craft Centre Inc Y0247539

Coffs Harbour Citizens and Ratepayers Association Incorporated Y2485311

Confederation of Chivalry (Australia) Inc Y0058934

Jesmond Halls Haven Cricket Club Incorporated Y2846941

NMA (NSW) Matchracing Incorporated Y2511640

Ordre Souverain Et Militaire De La Milice Du Saint Sepulcre (Australia) Inc Y0059000

Penrith Panthers C.B.A. Incorporated Y2334339

Quota Club of Burwood Incorporated Y0828024

Saf-Oz Association Incorporated Y2877142

Sydney Art Theatre Incorporated Y2707518

Sydney Hydroponic Association Incorporated Y0934811

Australian Wildlife Hospital Park Inc Y2858147

Windang Amateur Rugby League Football Club Inc Y1288024

Panpieriki Adelfotis Sydney-Canberra Incorporated Y1229731

Newtown Chamber of Commerce Inc Y1223847

Imam Moussa Al Sadder Incorporated Inc9878623

Engage 4wd Club Incorporated Inc9877661

Bourke Squash Club Incorporated Inc9878216

Beecroft Village Chamber of Commerce Incorporated Y1740333

Apex Club of Lavington Inc Y0606244

Australian Gift and Homewares Association Inc Y0334008

COLIN CROSSLAND,
General Manager,
Registry of Co-operatives and Associations,
Office of Fair Trading,
Department of Commerce
5 June 2008

CHARITABLE FUNDRAISING REGULATION 2008

Department of the Arts, Sport and Recreation

THE Department of the Arts, Sport and Recreation proposes to recommend to the Minister for Gaming and Racing that the Charitable Fundraising Regulation 2008 be made.

The proposed Regulation is to be made under the Charitable Fundraising Act 1991. It will replace the Charitable Fundraising Regulation 2003, which is due for statutory repeal on 1 September 2008.

The primary objective of the proposed Regulation is to provide for certain matters that are required to be prescribed

for the purposes of the Charitable Fundraising Act 1991. The Regulation will support the operation of the Act and the charitable fundraising licensing scheme.

A report comprising a Regulatory Impact Statement and a Better Regulation Statement has been prepared to discuss the detail of the proposed Regulation and its costs and benefits.

The report and the proposed Regulation can be obtained from the Department's website at www.olgr.nsw.gov.au from Monday, 16 June 2008.

Comments and submissions will be accepted until 14 July 2008.

COMMERCIAL VESSELS ACT 1979

Order Exempting Certain Persons from Examination and Other Requirements for the Issue of a Certificate of Competency

Exemption

THE Maritime Authority of NSW, trading as NSW Maritime (NSW Maritime), does pursuant to section 48 of the Commercial Vessels Act 1979 ('the Act'), declare by this Order, that section 30F of the Act and Clause 8 of the Commercial Vessels (Certificates of Competency and Safety Manning) Regulation 1986 ('the Regulation'), both of which relate to Examinations and other conditions to be satisfied for the issue of a Certificate of Competency, DO NOT APPLY on and from 6 June 2008, to a person specified in SCHEDULE 1, provided that each of the conditions specified in SCHEDULE 2 are met.

SCHEDULE 1

Description of Persons Exempted

1. This Exemption applies to the following persons;
 - (a) Persons making an application for a Certificate of Competency pursuant to section 30G of the Act, where the Application is made under the following circumstances;
 - (i) a Certificate of Competency was previously held by the person which was cancelled pursuant to section 30I(5)(a) of the Act, solely because it was not revalidated;
 - (ii) the Certificate of Competency that is the subject of the Application is of the same grade and type and class as the Certificate of Competency that was previously held and cancelled; and
 - (iii) a period of not longer than 12 months has elapsed since the date of cancellation of the previously held Certificate of Competency.

SCHEDULE 2

Conditions to which this Exemption is Subject

1. The conditions to which this Exemption is subject are as follows:
 - (a) the applicant must meet all other requirements ordinarily associated with revalidation of a Certificate of Competency of the grade and type being sought;

- (b) the applicant must pay a fee corresponding to whichever is the greater of:
- (i) 50% of the total fees usually charged for a new Certificate of Competency of the grade and type being sought, or;
 - (ii) the fee usually charged for the revalidation of a Certificate of Competency of the grade and type being sought; and
- (c) the applicant must pay the requisite fee(s) for any Endorsement(s) to be placed on the new Certificate of Competency.

This Exemption may be revoked at any time by the Chief Executive of NSW Maritime, the General Manager of the Commercial Vessels Division or their Delegates and NSW Maritime is not liable for any loss associated with the revocation.

Dated this 6th day of June 2008.

STEVE DUNN,
A/Chief Executive,
NSW Maritime

DISTRICT COURT ACT 1973

District Court of New South Wales

Direction

PURSUANT to section 173 of the District Court Act 1973, I direct that the District Court shall sit in its criminal jurisdiction at the place and time shown as follows:

Coffs Harbour, 10:00 a.m., 3 November 2008 (2 weeks).

Dated this 10th day of June 2008.

R. O. BLANCH,
Chief Judge

EDUCATION ACT 1990

LAND ACQUISITION (JUST TERMS COMPENSATION) ACT 1991

Notice of Compulsory Acquisition of Land for Public
School

THE Minister for Education and Training, with the approval of Her Excellency the Governor, declares by delegate that the land described in the Schedule below is acquired by compulsory process under the provisions of the Land Acquisition (Just Terms Compensation) Act 1991, for the purposes of the Education Act 1990.

Dated at Sydney, this 21st day of May 2008.

RAY MASTERTON,
Manager,
Sites and Office Accommodation
(as delegate of the Minister for Education and Training)

SCHEDULE

All that piece or parcel of land situate in the Local Government Area of Gosford, Parish of Patonga and County of Northumberland, being Lots 1 and 2, Deposited Plan 1083218.

FOOD ACT 2003

THE NSW Food Authority advises a conviction under the Food Act 2003 relating to the handling or sale of food made against Hai Bao Chen at the registered company office located at Unit 2, 1-3 Hughes Street, Cabramatta, NSW. The defendant was charged with a total of 22 charges relating to offences under various sections of the Food Act 2003. The total penalty imposed under the Act for all offences was \$118,000 plus professional and court costs of \$14,146 awarded to the Authority. This notice is made after statutory time for appeal has elapsed.

NSW Food Authority
PO Box 6682
Silverwater NSW 1811

FORESTRY ACT 1916

Proclamation

(L.S.) MARIE BASHIR, Governor

I, Professor MARIE BASHIR, AC, CVO, Governor of the State of New South Wales, in pursuance of the provisions of the Forestry Act 1916 and with the advice of the Executive Council, do, by this my Proclamation, declare that the land described in the Schedule hereto is dedicated as a State Forest.

SCHEDULE

Eastern Division

*Land District of Taree;
Port Macquarie – Hastings Council Area;
Central Forestry Region*

Middle Brother State Forest No. 284 No 10 Extension. An area of about 16 hectares in the Parish of Lorne, County of Macquarie, being the land within Lot 1 in Deposited Plan 1090295, EXCLUSIVE OF the Easement for Transmission Line 45 metres wide delineated on Deposited Plan 602242 traversing the abovedescribed land. (4509)

Signed and sealed at Sydney, this 28th day of May 2008.

By Her Excellency's Command,

IAN MACDONALD, M.L.C.,
Minister for Primary Industries

GOD SAVE THE QUEEN!

GEOGRAPHICAL NAMES ACT 1966

Notice of Proposal to Amend Address Locality Boundary

Between Penshurst and Hurstville Grove in the Kogarah
Local Government Area

PURSUANT to the provisions of section 8 of the Geographical Names Act 1966, the Geographical Names Board hereby notifies that it proposes to amend the address locality boundary between Penshurst and Hurstville Grove in the Kogarah Local Government Area as shown on map GNB3714-1-A.

The proposed amended boundary is shown on map GNB3714-1-A which may be viewed at the Kogarah Council Customer Service Centre, Railway Parade Kogarah, South

Hurstville Library Cnr Short & Allen Streets South Hurstville, Oatley Library 26 Letitia Street Oatley, Kogarah Library, Kogarah Town Square Belgrave Street Kogarah and at the office of the Geographical Names Board, Land and Property Information, 346 Panorama Ave, Bathurst NSW 2795 from Thursday 12 June 2008 until Monday 14 July 2008.

Any person wishing to make comment upon this proposal may prior to 14 July 2008 write to the Secretary of the Geographical Names Board with that comment. This proposal may also be viewed and submissions lodged on the Geographical Names Board web site at www.gnb.nsw.gov.au during the consultation period.

WARWICK WATKINS,
Chairperson

Geographical Names Board
PO Box 143
BATHURST NSW 2795

HIGHER EDUCATION REGULATION 2008

NSW Department of Education and Training

NOTICE is given (as required by section 5(2)(a) of the Subordinate Legislation Act 1989), of the intention to make a regulation under the Higher Education Act 2001.

The Regulation makes provision with respect to the fees and charges payable in connection with the administration of higher education approval processes under the Higher Education Act 2001.

A copy of the Regulatory Impact Statement can be obtained via the website of the Department of Education and Training (<http://www.det.nsw.edu.au/communityed/higheredu/>).

Written comments or submissions are invited and must be received by 23 July 2008.

MENTAL HEALTH ACT 2007

Section 109

I, DR RICHARD MATTHEWS, Acting Director-General of the NSW Department of Health, pursuant to section 109 of the Mental Health Act 2007, DO HEREBY:

- (a) DECLARE the following premises of Lismore Base Hospital to be a mental health facility for the purposes of the Mental Health Act 2007:
 - Lismore Mental Health Adult Inpatient Unit; and
 - Lismore Mental Health Child and Adolescent Inpatient Unit.
- (b) DECLARE such facility to be designated a “mental health inpatient treatment” facility.

Signed, this 11th day of June 2008.

Dr RICHARD MATTHEWS,
Acting Director-General

MENTAL HEALTH ACT 2007

Section 109

I, Dr RICHARD MATTHEWS, Acting Director-General of the NSW Department of Health, pursuant to section 109 of the Mental Health Act 2007 and section 43 of the Interpretation Act 1987, DO HEREBY REPEAL the Order,

published in *New South Wales Government Gazette* No. 167 of 9 December 1994, at page 7305, declaring certain premises of Rozelle Hospital to be a hospital for the purposes of the Mental Health Act 1990, which was taken to be a declared mental health facility in accordance with Clause 5(1) of Schedule 6 of the Mental Health Act 2007.

Signed this 6th day of June 2008.

Dr RICHARD MATTHEWS,
Acting Director-General

MENTAL HEALTH ACT 2007

Section 109

I, PROFESSOR DEBORA PICONE, AM, Director-General of the NSW Department of Health, pursuant to section 109 of the Mental Health Act 2007 and section 43 of the Interpretation Act 1987, DO HEREBY REPEAL the Order, published in *New South Wales Government Gazette* No. 124 of 20 October 2006, at page 8884, declaring certain premises of Campbelltown Hospital to be a hospital for the purposes of the Mental Health Act 1990, which was taken to be a declared mental health facility in accordance with clause 5(1) of Schedule 6 of the Mental Health Act 2007 and pursuant to section 109 of the Mental Health Act 2007 I DO HEREBY:

- (a) DECLARE the following premises of Campbelltown Hospital to be a mental health facility for the purposes of the Mental Health Act 2007:
 - Waratah House;
 - the Mental Health Non-Acute Unit; and
 - Campbelltown Psychiatric Emergency Care Centre;
- (b) DECLARE such facility to be designated a “mental health inpatient treatment” facility.

Signed this 5th day of June 2008.

Professor DEBORA PICONE, AM,
Director-General

NATIONAL PARKS AND WILDLIFE ACT 1974

LAND ACQUISITION (JUST TERMS COMPENSATION) ACT 1991

Notice of Compulsory Acquisition

THE Minister for Climate Change and the Environment, with the approval of Her Excellency the Governor, declares that the leasehold estate in the land described in the Schedule below is acquired by compulsory process under the provisions of the Land Acquisition (Just Terms Compensation) Act 1991, for the purposes of the National Parks and Wildlife Act 1974.

The leasehold estate is, on publication of this notice, vested in the Minister administering the National Parks and Wildlife Act 1974.

VERITY FIRTH, M.P.,
Minister for Climate Change and the Environment

SCHEDULE

All that piece or parcel of land situated in the Local Government Area of Walcha, County of Vernon, Parish of Trinidad, containing an area of 2,869 hectares, comprising the leasehold estate in Lot 82, DP 1123079 (Part Settlement Lease 1911/5 Walcha); DECC: FIL 07/3705.

POISONS AND THERAPEUTIC GOODS ACT 1966

Order Under Clause 171 (1)
Poisons and Therapeutic Goods Regulation 2002
Restoration of Drug Authority

IN accordance with the provisions of Clause 171 (1) of the Poisons and Therapeutic Goods Regulation 2002, a direction has been issued that the withdrawal of authority of Stephen Paul BINGHAM, RN1311968, of 3 Goora Lane, Woy Woy NSW 2256, to be in possession of or supply drugs of addiction as authorised by Clauses 101 and 103 of the Regulation for the purposes of his profession as a nurse, shall cease to operate from 11 June 2008.

Dr RICHARD MATTHEWS,
Acting Director-General

Department of Health, New South Wales,
Sydney, 5 June 2008

PUBLIC WORKS ACT, 1912

Land Acquisition (Just Terms Compensation) Act 1991
Compulsory Acquisition
Granville Police Station

THE Minister for Commerce, with the approval of Her Excellency the Governor, declares that the land described in the Schedule hereto, is acquired by compulsory process under the provisions of the Land Acquisition (Just Terms Compensation) Act 1991 for a public work, public offices and public buildings.

On publication of this notice in the Government Gazette the land is vested in the Minister for Commerce as Constructing Authority under section 4 of the Public Works Act, 1912.

ERIC ROOZENDAAL, M.L.C.,
Minister for Roads
Minister for Commerce

SCHEDULE**LAND**

Lot 101 in Deposited Plan 1124479
Lot 13 Section 1 in Deposited Plan 4013
Lot 14 Section 1 in Deposited Plan 4013
Lot 1 in Deposited Plan 301274
Lot 1 in Deposited Plan 113349

SPA Reference 375.

TOW TRUCK INDUSTRY REGULATION 2008

NOTICE is given in accordance with section 5 of the Subordinate Legislation Act 1989, of the intention to make a regulation under the Tow Truck Act 1998.

The Tow Truck Act 1998, provides for a scheme to regulate the tow truck industry and towing operations. The Act establishes the Roads and Traffic Authority as the industry regulator and a licensing scheme for tow truck operators and drivers. It also prescribes various matters relating to tow trucks and towing operations.

The Act provides for regulations to be made which prescribe the details, procedures and processes necessary in order for the Act to operate effectively. The Tow Truck Industry Regulation 1999, was made under the Act for this purpose.

The proposed Tow Truck Industry Regulation 2008, is to replace the Tow Truck Industry Regulation 1999, which will be automatically repealed on 1 September 2008.

The Draft Regulation and Regulatory Impact Statement can be accessed via the Roads and Traffic Authority's website www.rta.nsw.gov.au and www.transport.nsw.gov.au/towtrucks or by contacting:

Mr Gerry Dubois,
Tow Truck Licensing and Compliance,
RTA,
Locked Bag 5054,
Parramatta NSW 2124.
Telephone: (02) 8836 6216.
Fax: (02) 8836 6266.
Email: email@towtrucks.nsw.gov.au

Submissions on the proposed regulation are invited and can be made by mail, fax or email as above. Submissions close at 5:00 p.m. on 14 July 2008.

**ANNUAL REPORT AND DETERMINATION OF ADDITIONAL
ENTITLEMENTS FOR MEMBERS OF THE PARLIAMENT OF
NEW SOUTH WALES**

by the

PARLIAMENTARY REMUNERATION TRIBUNAL

pursuant to the

Parliamentary Remuneration Act 1989

30 May 2008

PARLIAMENTARY REMUNERATION ACT 1989
REPORT PURSUANT TO SECTION 13(1) OF THE ACT

INTRODUCTION

Section 11 of the Parliamentary Remuneration Act 1989 (“the Act”) prescribes that the Parliamentary Remuneration Tribunal (“the Tribunal”) shall make an annual Determination as to the additional entitlements for Members and Recognised Office Holders (as defined under the Act) on or before 1 June in each year or on such later date as the President of the Industrial Relations Commission of New South Wales determines.

Section 13(1) of the Act requires that the Tribunal makes a report to the President of the Industrial Relations Commission of New South Wales for each Determination made by the Tribunal. The President is then required, as soon as practicable after receipt of the report, to forward it to the Minister (see section 13(2)).

As is the usual practice of the Tribunal, letters were sent to all Members and the Presiding Officers as to matters they wished to have considered as part of the review. In particular the Tribunal sought submissions from Members on the annual component of the Sydney Allowance. The Tribunal had foreshadowed a review of the annual payment of the Sydney Allowance (as opposed to the payment on the daily basis) arising from administrative difficulties concerning the reimbursement by Members of the unspent portions of this Allowance

Part One of this Report will outline general matters raised as part of the annual review and any adjustments to additional entitlements. Consistent with the usual practice, the Tribunal has made changes that are considered minor or of an administrative nature to the Determination without the need for detailed separate reasons being provided. The submissions did, however, raise a number of substantive issues which, in the Tribunal’s view, merit further consideration and/or comment. Part Two will provide a summary of the Determination.

PART ONE

1. GENERAL MATTERS RAISED

Electoral Allowance

Submissions relating to the Electoral Allowance centred on the quantum. Most submissions had sought increases in the Allowance beyond normal CPI movements to account for the significant rises in fuel costs. One submission also sought to have unspent portions of Electoral Allowance not fully expended returned to the Consolidated Fund rather than being retained by Members.

To deal with the unspent portions of this Allowance first: the Tribunal, in its 2007 Annual Report, provided a detailed history and analysis of the current arrangements for this Allowance. The Tribunal would refer anyone wishing to understand the workings of this Allowance to that Report. The Tribunal repeats here the conclusions of that analysis:

“...As noted above, section 10(2B)(c) of the Act provides that the Electoral Allowance is provided as compensation for all incidents of the performance of parliamentary duties. Section 4 of the Act defines “parliamentary duties”. Section 10(2C) of the Act excludes the Electoral Allowance from the Tribunal’s general condition-setting powers in respect of additional entitlements. This suggests that the Tribunal’s role, insofar as Electoral Allowance is concerned, is limited to determining the quantum only and not to provide any further clarity or interpretation on the use of the Electoral Allowance or its purpose and conditions beyond that provided in the Legislation.”

The Tribunal maintains that any changes to the Electoral Allowance beyond its quantum (which is the sole function of this Tribunal) can only be made by way of legislative amendment.

Insofar as the quantum of the Allowance is concerned, it should be recognised that a significant component of the Electoral Allowance is to meet the cost incurred by Members in leasing or purchasing a motor vehicle to undertake their parliamentary duties.

The Tribunal accepts that the costs of running a motor vehicle have risen significantly, primarily due to fuel price increases. Because of the distances covered by Members, especially those in country electorates, the increased cost of fuel has had a particular impact on country Members. Of course, the Electoral Allowance has factored into it the increased costs of representing a country electorate and that should be taken into account. Whether some additional consideration should be afforded in respect of country electorates to take account of the increased cost of running a motor vehicle, given it is an essential part of a Member's "tools of trade" is a matter that the Tribunal is prepared to consider provided there is a proper basis upon which to do so. For the present, however, very many members of the general community are also affected by increasing fuel prices with no opportunity to have those costs offset in any way. Nothing that has been put to the Tribunal on this occasion would satisfy it that there is a special case for granting Members an increase in their Electoral Allowance based on increased fuel prices when ordinary members of the community whose motor vehicles are also an essential part of getting to work, or are an essential part of their tools of trade, are unable to obtain relief. The Tribunal does not consider it appropriate to provide Members with increases greater than those available to the general community. The increase in the Electoral Allowance for the current review will be limited to the relevant percentage movement in the Consumer Price Index.

The Tribunal notes that in the private sector it is a widespread practice for employers to provide employees with motor vehicles where it is essential (but often simply as a perquisite) for their work. Given that a motor vehicle is essential for Members to carry out their parliamentary duties, particularly in country areas, a sound case exists for providing Members with a private plated, fully maintained motor vehicle. This is done in all other Australian parliamentary jurisdictions and there appears to be no objective grounds for making New South Wales, the most populous State, the exception. The Tribunal has repeatedly supported the provision of motor vehicles to Members and given that the Tribunal has previously stated that the provision of motor vehicles to Members would result in a reduction in the Electoral Allowance, the overall cost of the scheme to the taxpayer would be minimal.

Sydney Allowance

In its 2006 review, the Tribunal foreshadowed that it intended to remove the annual entitlement to the Sydney Allowance as part of the 2008 Annual Determination unless there were compelling reasons for not doing so.

All submissions received have supported retention of the annual entitlement. Reasons for doing so include the administrative efficiency and that it is more in keeping with the Tribunal's long held view that Members make permanent accommodation arrangements in Sydney.

The Tribunal has noted the comments of the Members and having regard to these comments, and that nearly 40 percent of Members receive the Sydney Allowance as an annual rate, the Tribunal will retain both the daily and annual rates.

The Tribunal has also had regard to both written and oral submissions on the introduction of additional conditions to the Sydney Allowance to overcome the problem of overpayment of unspent portions of this entitlement in a timely manner. Unlike the daily Sydney Allowance, which is provided for each day a Member is in Sydney on parliamentary business, the annual amount is provided to Members in advance based on the number of days determined by the Tribunal as reasonable for Members to be in Sydney on parliamentary business. A reconciliation is undertaken at the end of each financial year of the actual number of days a Member was in Sydney on parliamentary business and if it happens that the Member was in Sydney on a smaller number of occasions than was originally estimated by the Member then that Member is required to repay the proportional amount back to the Parliament.

The Tribunal is encouraged by administrative arrangements introduced by the Legislative Assembly to ensure Members are not left with a large debt at the end of each financial year. The Tribunal has been asked to make these arrangements official by adopting them as conditions for this entitlement. The Tribunal does not support this request. The Tribunal has continually encouraged the Clerks of the Parliament to introduce administrative arrangements for entitlements that are consistent with the Tribunal's determinations. This approach provides clear rules on the operation of the entitlements while at the same time allowing the

Clerks sufficient flexibility to introduce administrative arrangements to meet the individual needs of Members. Continually adding conditions to the entitlements can only lead to greater complication.

Where it is clear that changes are warranted to the entitlements scheme to ensure that public funds are used properly then the Tribunal will not hesitate to introduce such changes.

The Auditor General has noted in the past that a small number of Members have failed to repay unspent portions of the Sydney Allowance. The Tribunal is also aware that the officers of the Legislature expend a considerable amount of time and energy in trying to recoup this money. The Tribunal does not consider this a satisfactory state of affairs. The Tribunal expects, as would the community expect, that Members when required to repay public monies would do so promptly. The Tribunal accepts that the overwhelming majority of Members do make reimbursements expeditiously. To ensure 100 percent compliance with this expectation, the Tribunal could introduce sanctions against those Members who do not reimburse outstanding amounts within a reasonable time. The Tribunal is not prepared to do so at this time but will formally introduce a time limit within which Members must have settled any Sydney Allowance accounts. Should this not prove effective then the Tribunal will seriously consider stronger measures at the time of the next annual review.

The Tribunal also received submissions concerning the administration of the Sydney Allowance and in particular the inflexibility associated with the level of proof to be presented by Members to confirm the overnight stay. Members are presently required to sign in and out of the Parliamentary Register as proof of being in Sydney on Parliamentary business when Parliament is not sitting. The conditions applicable to the Sydney Allowance also provide that on those occasions where Members are in Sydney on parliamentary business but are not required to attend Parliament House eg, attending a function, then the Member must provide sufficient proof to the Clerks to substantiate each such occasion. It is sufficient for Ministers to provide evidence from their diaries or other forms of documentary evidence acceptable to the Clerks to certify as evidence of their attendance in Sydney.

The Tribunal acknowledges that it is not always convenient for Members to sign in and out when they are in Sydney on Parliamentary business. The Tribunal considers that there should be sufficient administrative flexibility to avoid this type of inconvenience. The Tribunal is

prepared to amend the conditions so that the flexibility granted to Ministers to provide entries from their diaries or other forms of documentary evidence acceptable to the Clerks to certify as proof of their attendance in Sydney, is extended to Members.

One submission proposed that the definition of "principal place of residence" should be tightened to prevent any abuse of the allowance. There is no evidence that the present definition is the source of any abuse.

Quantum of the Sydney Allowance

In 2005 the Tribunal undertook a fundamental review of the Sydney Allowance. In that review the history and purpose of the Allowance was discussed. Briefly put, because Parliament is located in Sydney and much of its business is conducted in Sydney, Members must travel to Sydney to perform a high proportion of their parliamentary duties including the duty of representing their constituents in Parliament House. This necessitates Members of non-metropolitan electorates to incur additional expenses associated with staying and living in Sydney throughout the year. The Sydney Allowance (formerly known as the Living Away from Home Allowance) is intended to compensate Members for these additional accommodation costs and living expenses. Since the introduction of the Allowance in 1975 the Tribunal has set the daily rate of the Sydney Allowance at a lower level than the ad hoc capital city travel rate available to public sector employees on the premise that Members would make longer term accommodation arrangements in Sydney. The Tribunal has encouraged Members to buy or lease accommodation for this purpose.

The Tribunal continues to support this approach as the most appropriate for Members who are required to travel and stay in Sydney for up to 135 nights each year.

The Tribunal last reviewed the quantum of this Allowance in 2005. The Tribunal's methodology was articulated in that review. The Tribunal has adopted a similar methodology on this occasion and noted that there have been cost increases which warrant an increase in the daily rate beyond the normal CPI increases. The Tribunal has adjusted the daily rate of this Allowance accordingly.

Additional Staff Member for Members of the Legislative Assembly

Since the completion of the 2007 Report and Determination the Tribunal did provide a Ruling, pursuant to section 17 of the Act in February 2008, which clarified that the references in the Determination to staff grading and employment duration are provided only as a means by which the overall budget for this purpose may be calculated. The purpose of this Ruling was to clarify that Members had complete flexibility on the grade and duration of the additional staff member provided it did not exceed the overall budget for this purpose. The relevant condition associated with this matter has been amended to reflect the Ruling. Submissions have been received drawing the Tribunal's attention to the workloads of those electorates within which there are high levels of public housing estates. The workload of these electorate offices is such that additional support is required.

The Tribunal acknowledges that there is a higher level of interaction between the Member and the Member's electorate office staff with constituents of electorates with high levels of public housing than those without. Whilst the Tribunal is prepared to consider this matter further, it should be noted that most electorates are likely to have an element or characteristic in their constituency that requires greater community interaction with the electorate office. Should, for example, electorates with higher levels of migrant population receive similar additional support? Should electorates whose constituents, while not living in public housing, are nevertheless from low socio-economic backgrounds be similarly provided with such additional support? The Tribunal would be prepared to receive submissions on this matter at the time of the next annual review.

Electorate to Sydney Travel Warrants

The Tribunal has again received submissions seeking to expand the use of travel warrants. In its 2007 Report the Tribunal stated the following;

“...Submissions have again been received seeking to extend the value of the travel warrant to include the cost of getting to and from the airport. This matter was considered as part of the 2006 annual review. At that time the Tribunal concluded that:

“...The Tribunal has considered this matter carefully but is of the view the existing arrangements are adequate. The Electorate to Sydney travel warrants are for exactly that purpose – travel to and from Sydney. Each warrant has a value based on the cost of the airline ticket from the airport nearest the Member’s home to Sydney. Members have the additional flexibility of using whatever means they wish to travel to Sydney provided the cost does not exceed the value of the warrant. Any extra travel required is to be met from the LSA or the Members’ electoral allowance.”

The Tribunal makes the final observation that part of the reason why non-metropolitan members receive higher levels of Logistic Support Allocation and Electoral Allowance is to accommodate the additional travel costs.”

The Tribunal does not consider any further clarification or review is required in respect of this entitlement.

Government Travel Booking Service

The Government has entered into a period contract with a provider for Government travel bookings. Members have advised that the requirement to use this provider does not provide them with the necessary flexibility to make their travel bookings nor are they able to take advantage of a multitude of on line booking services which provide cheaper air fares. The submission from the Presiding Officers has informed the Tribunal that the administration of the accounts for payment of travel bookings made through the Government contract are overly bureaucratic and existing arrangements have inherent difficulties in reconciliation of payments with services provided.

In addition, advice received from the Presiding Officers is that the Parliament is not bound by the provisions of the *Public Sector (Goods and Services) Regulation 2000* (the Regulation) under the *Public Sector Employment and Management Act 2002*. It is under this Regulation

that New South Wales period contracts, including contracts for travel bookings are entered into between the Government (through the State Contracts Control Board) and goods and services provided. Within existing rules, public sector agencies are bound to use these providers in the provision on goods and services.

The Regulation provides a definition of the extent of the Public Sector. Clause 3 of the Regulation defines “public sector” as:

“...public sector service has the meaning given to it under the Act, except that it does not include the service of either House of Parliament, or the President or Speaker, or the President and the Speaker jointly.”

Notwithstanding the exclusion of the Parliament from the provisions of the Regulation, the Tribunal still considers that the Parliament should continue to use the period contracts where there is a clear cost or service benefit to do so. Where it is clear that there is neither a cost nor a service benefit then it is clear that they are not bound to use the period contracts. The Tribunal will, therefore, remove the requirement to use the period contract provider for the provision of air travel bookings.

Committee Allowances

The Tribunal has again received submissions on Committee Allowances. The submission is essentially the same as that received in 2007. The Tribunal addressed this matter as part of that review and does not intend to consider this matter further on this occasion.

Electorate Mailout Account (EMA)

One submission received called for the Tribunal to review the use of the EMA, noting what was alleged to be a "spike" in expenditure prior to elections or, alternatively, to abolish the EMA.

The Tribunal would need to be satisfied that there has been an abuse of the EMA before taking any steps in relation to its expenditure. The Tribunal has no evidence of any abuse.

Party Status

The Tribunal also received a submission on the number of members necessary to determine Party status. The Tribunal has noted the comments but also notes that any change to the numbers would require legislative amendment.

Tribunal Annual Report Date

In its 2007 Report the Tribunal drew the attention of the Parliament to the administrative problems associated with the requirement of having the Tribunal make its annual determinations by 31 May each year. The Tribunal regrets to see that no action has been taken to remove this restriction.

The Tribunal would again urge the Parliament to provide the Tribunal with greater flexibility in its reporting timeframe.

Other Matters

One submission proposed a one-year freeze on salary increases for Members. The Tribunal has no jurisdiction in relation to salaries.

One submission sought the restoration of the entitlement to travel to New Zealand for the purpose of undertaking Parliamentary business. The Tribunal has no jurisdiction in respect of that matter.

2. REVIEW OF ADDITIONAL ENTITLEMENTS

General

Some submissions were received calling for substantial increases in a number of the allowances. Detailed reference was made to the cost of living and accommodation in Sydney in particular, and the increasing cost of fuel and the impact that was having on country Members given the long distances they travelled.

The Tribunal notes, however, that most of the submissions received called for the application of movements in the Consumer Price Index to be applied to the allowances. That is the course adopted by the Tribunal except that in respect of the Sydney Allowance, where the case has been made out for an increase greater than the CPI movement.

Electoral Allowance

For this review the Tribunal has adopted its usual approach and increased the electoral allowance by 4.2 per cent ie the CPI increase between March 2007 and March 2008.

Sydney Allowance

For reasons stated in Part 1 of this Report the Tribunal has increased the daily rate of the Sydney Allowance to \$240 per day.

Logistic Support Allocation (LSA)

The Tribunal has reviewed the Logistic Support Allocation in accordance with its usual approach and provided an increase of 4.2 per cent.

Committee Allowance

The purpose of this Allowance is to remunerate Members serving as Chairpersons on Committees for the extra time and effort required to carry out this role. In previous Determinations this allowance has been increased in line with Members' salary increases.

Members' salaries were increased from 1 July 2007 by 6.8 per cent. Because of the delay in finalisation of this 2007 Report and Determination that increase in the Committee Allowance formed part of the 2007 Determination. There has been no increase in Members' salaries since 1 July 2007. Therefore, consistent with the Tribunal's usual approach no further increase in Committee Allowances is warranted.

Electorate Mail-out Account (EMA)

The EMA has been adjusted to reflect enrolment statistics as of April 2008 and these are outlined in Schedule 4 of the Determination.

Reimbursement of Expenses for Charter Transport for Members of the Legislative Assembly

The Tribunal has reviewed the use and conditions of this Allowance and considers that no adjustment is warranted at this time.

Travelling Allowances for Recognised Office Holders

The Tribunal's Determination is based on those rates provided to New South Wales Public Servants and those deemed "reasonable" by the Australian Taxation Office (ATO). In both the New South Wales Public Sector and ATO guidelines, travel allowances are differentiated on the basis of destination and salary level of officer. The 2007 rates remain applicable at the time of making the determination.

PART TWO

SUMMARY OF 2007 DETERMINATION

Electoral Allowance	4.2 per cent increase
Sydney Allowance	14 per cent increase
Logistic Support Allocation	4.2 per cent increase
Electorate Mailout Account	No increase
Committee Allowance	No increase
Electorate Charter Allowance	No increase
Travel Allowances	No increase

Dated this day of 30 May 2008

The Honourable Justice R P Boland

THE PARLIAMENTARY REMUNERATION TRIBUNAL

THE DETERMINATION OF THE PARLIAMENTARY REMUNERATION TRIBUNAL

THE DETERMINATION

Pursuant to section 10(2) and 11(1) of the Parliamentary Remuneration Act 1989 (“the Act”), the Tribunal makes the Determination appearing hereunder.

With effect on and from 1 July 2008, and pursuant to section 10(6) of the Act, all previous Determinations of the Tribunal are revoked. This Determination shall constitute the annual Determination and shall operate on and from 1 July 2008.

DEFINITIONS

“Member” or “Members” refers to a duly elected Member or Members of the Parliament of New South Wales (referred to hereinafter in this Determination as “the Parliament”).

In this Determination the expression “additional entitlements” is to be understood in the sense used in Part 3 of the Act.

“Parliamentary duties” has the meaning attributed to it by section 3 of the Act,

“Electoral groups” are the groups of electorates specified in Schedule 1.

For the purpose of the Additional Entitlements Account for Members of the Legislative Council, “Zones” shall be those areas described in Schedule 2A.

“Approved relative” is a person who meets one of the following criteria:

- Wife or husband of the Member. If a Member has a spouse no other person may be nominated to use this entitlement.
- De facto spouse or partner who is living with a Member in a bona fide domestic relationship. If a Member has a de facto spouse or partner, no other person may be nominated to use this entitlement.

- Single or widowed Members may nominate a member of their immediate family (parents, siblings, children who are not minors i.e. below 16 years of age) as an approved relative.

Under special circumstances a Member may apply through the Presiding Officers to the Tribunal for an exception to the criteria. This will need to be based on the ability of the Member to meet their parliamentary duties and individual circumstances that apply at the time.

GUIDELINES AND GENERAL CONDITIONS REGARDING ADDITIONAL ENTITLEMENTS FOR MEMBERS IN CONNECTION WITH PARLIAMENTARY DUTIES

1. Guidelines

Every class of “additional entitlements” described in this Determination is provided pursuant to section 10(1)(a) of the Act “for the purpose of facilitating the efficient performance of the Parliamentary duties of Members.” The following guidelines shall apply to the receipt, use and operation of additional entitlements (**excluding Electoral Allowance**).

1. Circumstances upon which the additional entitlements may be used for Parliamentary Duties.
 - 1.1 Additional entitlements are provided to facilitate the efficient performance of the following particular Parliamentary duties of Members as follows:
 - 1.1.1 Activities undertaken in representing the interests of constituents, but excluding activities of a direct electioneering or political campaigning nature.
 - 1.1.2 Performing electorate work for a Member’s electorate and participation in official and community activities to which the Member is invited because of the Member’s status as a Parliamentary representative.
 - 1.1.3 Attending and participating in sessions of Parliament.
 - 1.1.4 Participation in the activities of Parliamentary committees.

- 1.1.5 Attending Vice-Regal, Parliamentary and State ceremonial functions.
- 1.1.6 Attending State, Commonwealth and Local Government functions.
- 1.1.7 Attending official functions to which a Member is invited because of the Member's status as a Parliamentary representative, eg., receptions and other community gatherings hosted by members of the diplomatic corps, educational and religious institutions, community and service organisations, business associations, sporting bodies or other special interest groups.
- 1.1.8 Participation in the activities of recognised political parties, including participation in national, State and regional conferences, branch meetings, electorate council meetings, executive meetings, committee meetings, and meetings of the Members of the Parliamentary political party, its executive and committees.
- 1.1.9 For a Member elected to the Parliament as an independent, participation in activities that are reasonable alternatives to participation in the activities of recognised political parties.
- 1.1.10 A Member who is elected to the Parliament as a representative of a recognised political party and who subsequently resigns from that party membership and thereafter sits as an independent Member, howsoever described, shall continue to receive the same entitlements as they received as a Member of the party prior to resignation and not the additional entitlements provided to elected independents. The Member is also not entitled to the benefit of the rule in Clause 1.1.9 above.
- 1.1.11 Participation within Australia in the activities of the Commonwealth Parliamentary Association as well as activities outside Australia organised by the Commonwealth Parliamentary Association provided such activities arise directly from Membership of the New South Wales Branch and officially endorsed by the Branch (exclusive of air travel).

- 1.1.12 Participation in a Parliamentary Group such as the Asia Pacific Friendship Group; provided that, such group is approved in writing by the President of the Legislative Council and the Speaker of the Legislative Assembly. Such written approval shall be forwarded to the Tribunal.
2. Where any additional entitlement fixed by this Determination is to be used for the purpose of facilitating Members' participation in the activities of recognised political parties, the Tribunal sets out the following guidelines as to the use of that additional entitlement:
 - 2.1 Parties registered under the *Parliamentary Electorates and Elections Act 1912*, and included in the register of parties maintained by the Electoral Commissioner, are to be treated as recognised political parties.
 - 2.2 Additional entitlements should not be used to fund:
 - 2.2.1 activities such as those associated with party Membership drives;
 - 2.2.2 mail distributions for non-electorate or non-Parliamentary activities;
 - 2.2.3 costs associated with election campaigning for an individual Member;
 - 2.2.4 fund raising for other party political Members (such as the purchase of raffle tickets, raffle prizes or tickets to attend functions, etc); and
 - 2.2.5 costs previously borne by political parties which are not principally related to a Member's Parliamentary or electorate duties;
 - 2.2.6 costs associated with pre-selection activities.
 - 2.3 The electorate office provided for a Member of the Legislative Assembly is not to be used as an election campaign office.
3. The Tribunal sets out the following additional and general guidelines:

- 3.1 Some intermingling of a Member's Parliamentary duties and private activities is, in practical terms, not always easily avoided, but the onus is always on the Member to show that any expenditure or any claim for reimbursement relates to Parliamentary duties, or to the Parliamentary duties component of costs incurred for intermingled Parliamentary duties and private purposes.
- 3.2 In the case of Parliamentary work, any activities in which a Member's involvement may reasonably be regarded as deriving from the Member's responsibilities as a Parliamentary representative should be treated as Parliamentary duties.
- 3.3 In the case of a Member's activities within the broader community outside the Member's electorate, activities that may reasonably be regarded as deriving from the Member's status as a Parliamentary representative should be treated as Parliamentary duties.

2. **Conditions**

The following general conditions will apply to all additional entitlements determined hereunder. These conditions are in addition to any special conditions attaching to the provision of allowances or other benefits (as specified later in this Determination):

1. All procurement by Members will be in accordance with the Parliament's purchasing policies.
2. Members must ensure that they have sufficient funds to meet the costs associated with their Parliamentary duties.
3. Each Member shall have, in addition to payments of the Electoral and Sydney Allowance, an account entitled the "Logistic Support Allocation" which shall cover expenditure in the areas of transport (excepting for electorate to Sydney travel), communications, printing and stationery and office supplies.

4. The Logistic Support Allocation shall be established and maintained by the Clerks of the Parliament. Members should be advised by the Clerks each month as to the balance of their Logistic Support Allocation.
5. The funds in the Logistic Support Allocation shall only be used by the Member to carry out the purpose for which the allowance is established, but otherwise may, subject to these conditions, manage the funds as he/she thinks appropriate.
6. Nothing shall prevent the use of the Electoral Allowance for legitimate electorate expenses which might also fall within the categories of expenses covered by the Logistic Support Allocation.
7. All accounts and Members' claims must be submitted to the Legislature for payment within 60 days of receipt or occurrence of the expense.
8. All Members' additional entitlements in the nature of fixed allocations and Sydney allowance provided to Members shall be audited annually for compliance. In addition to any internal audit conducted by the Parliament, Members' additional entitlements in the nature of fixed allocations and the Sydney allowance provided to Members shall be the subject of an external audit conducted by the Auditor-General of NSW. The cost of any audit shall be met by the Parliament. Members should ensure they maintain appropriate records of expenditure for the purpose of any audit.
9. Expenditure is only to be incurred in connection with the Parliamentary duties of Members (and in this respect the Member should refer to the guidelines in this Determination).
10. The various allowances determined here, as well as the Logistic Support Allocation are for the sole use of the Member and are not to be transferred to other persons or organisations including Members. The Member may use his/her entitlements to meet official costs of the approved relative and/or staff employed by the Parliament when that expenditure is in connection with official Parliamentary duties.

11. Benefits accrued by a Member by way of loyalty/incentive schemes such as frequent flyers, as a consequence of the Member using his or her additional entitlements, are to be used only for Parliamentary duties and not for private purposes. Any outstanding benefits of this nature, when the Member ceases to be a Member, are to be forfeited.
-

ADDITIONAL ENTITLEMENTS IN THE NATURE OF ALLOWANCES

1. Electoral Allowance

The allowance is based upon those factors which have historically been taken into account in assessing the quantum of the allowance (including the additional costs associated with the performance by Members of their Parliamentary duties in their electorates) and such other factors as may be determined from time to time as appropriate to be taken into account by the Tribunal under the Act.

Entitlement

The allowances shall be paid as follows:

- a. Each Member of the Legislative Assembly and the Legislative Council shall receive an electoral allowance. The quantum of that allowance shall be fixed in accordance with the electoral grouping for the electorate of the Member.
- b. The allowance payable per annum for each electorate group shall be as follows:

Electorate Group	Electoral Allowance
Group 1	\$38,975
Group 2	\$45,645
Group 3	\$53,795
Group 4	\$58,725
Group 5	\$62,470
Group 6	\$68,480
Group 7	\$80,095

- c. The electoral allowance for each Member of the Legislative Council shall be \$45,645 per annum.

2. Sydney Allowance

Purpose and Operation of the Provisions

The Sydney Allowance is provided to Members who reside in non-metropolitan electorates to compensate for the additional costs including commercial accommodation, meals and incidental costs associated with staying in Sydney to attend sessions of Parliament, meetings of Parliamentary committees or other Parliamentary business.

For the purpose of this Allowance the non-metropolitan electorates (Electorate Groups 2-8) have been divided into two categories based on distance from Sydney. Members whose principal place of residence is in either Category 1 or Category 2 electorates, as specified in Schedule 2, are eligible to receive the Sydney Allowance.

The Tribunal considers the Member's principal place of residence to be that residence where the Member would normally return and reside when not attending Sydney on parliamentary duties.

To establish the principal place of residence each Member will be required to complete the Parliament's checklist and certify that the residence nominated is the principal place of residence.

Entitlement

The daily rate (including the number of overnight stays) for the Sydney Allowance for Categories 1 and 2 shall be in accordance with Table 1 below. Where a Member elects for a daily rate, he/she shall be entitled to the daily rate for the number of overnight stays per annum specified in that Table, except as provided in conditions 5.

TABLE 1

Office	Principal Place of Residence	Overnight Stays p.a.	Overnight in Sydney where accommodation costs are incurred	In transit to and from Sydney where no overnight stay is involved
Minister, Speaker, President, Leader and Deputy Leader of the Opposition (Assembly and Council), Leader of Third Party in Assembly with not less than 10 Members.	Category 1 or 2	180	\$240	Actual reasonable expenses for meals and incidentals up to a maximum of \$74.35 per day
Deputy Speaker, Chairman of Committees (Assembly and Council), Whip and Deputy Whip (Assembly and Council), Parliamentary Secretary. Deputy Leader of Third Party in Assembly with not less than 10 Members.	Category 1 or 2	140	\$240	As above
Chairs of Standing/Select Committees	Category 1 or 2	140	\$240	As above
Legislative Council Members	Category 2	135	\$240	As above
	Category 1	105	\$240	As above
Legislative Assembly Members	Category 2	135	\$240	As above
	Category 1	105	\$240	As above

The following conditions apply to the Sydney Allowance:

1. A Member can choose to receive the Sydney Allowance as either an annual fixed allowance or a daily rate. The election is to be made at the commencement of each financial year.
2. If a Member chooses to receive the annual fixed allowance the Financial Controller of the Legislature will calculate the annual entitlement by multiplying the number of overnight stays for the particular Member or Recognised Office Holder by the daily rate.
3. In order to receive the Allowance each Member must certify to the Clerk of the Legislative Assembly or the Parliaments, as the case may be, their principal place of residence.

4. Where a Member chooses to receive the daily rate of allowance the Member shall receive the overnight daily rate as specified in Table 1. The Member is entitled to the number of overnight stays per annum specified in Table 1 without the need to substantiate to the Parliament expenses up to the daily rate.
5. Where a Member chooses to receive the daily rate of allowance and the Member exceeds the number of overnight stays Members will be reimbursed actual costs, up to the daily maximum upon the production of tax invoices/receipts for each such occasion.
6. Members in receipt of the Sydney Allowance when travelling to Sydney for parliamentary business or home from Sydney and where there is no overnight stay required will be entitled to reasonable actual expenses to the maximum provided in the "In transit..." Column of Table 1 above. This rate is only applied when the Member is travelling to Sydney and will be staying overnight in Sydney or travelling home from Sydney following an overnight stay.
7. When in receipt of the annual allowance Members are required to certify at the end of the financial year the number of occasions they stayed in Sydney and that on each occasion the stay was for Parliamentary business. Members who nominate to receive the annual allowance cannot claim for additional overnight stays in excess of those specified in Table 1.
8. Members are required to maintain records or other relevant proof that clearly document the occasions they stayed in Sydney in connection with their Parliamentary duties. Subject to the proviso below, Members attending Parliament House on Parliamentary business when Parliament is not sitting are required to sign in and out of the Parliamentary Register as proof of being in Sydney. On those occasions where Members are in Sydney on parliamentary business but are not required to attend Parliament House eg, attending a function, then the Member must provide sufficient proof to the Clerks to substantiate each such occasion. Provided, however, it will be sufficient for Members to provide entries from their diaries, or other forms of documentary proof, acceptable to the Clerks to certify as proof of their attendance in Sydney.

9. Members in receipt of the annual amount will be required to return to Parliament the unspent portion of the Allowance for re-credit of the Consolidated Fund. Such repayments must be made by 31 August each year.
10. Members are not to claim the Sydney Allowance if they stay in Government owned or funded accommodation including Parliament House.

3. Committee Allowances

Purpose and Operation of the Provision

Committee Allowances are paid to Chairpersons of Joint, Select and Standing Committees in recognition of the additional responsibilities of the office. Because of the statutory nature of the Public Accounts Committee and its role in Government activities, an annual rate of allowance is payable to Members of the Public Accounts Committee.

Entitlement

Members of the Legislative Council and the Legislative Assembly serving as Chairpersons of Joint Committees, Select Committees and Standing Committees shall be paid the sum of \$170.00 for each day upon which they attend a meeting or an official visit of inspection if that day is one upon which the Legislative Council (so far as a Member of the Council is concerned) or the Legislative Assembly (so far as a Member of the Assembly is concerned) is not sitting. This allowance is not payable to Chairpersons in receipt of a salary of office as specified in Schedule 1 of the *Parliamentary Remuneration Act 1989*.

Members of the Public Accounts Committee, other than the Chairperson, shall each receive a committee allowance of \$3,910 per annum.

ADDITIONAL ENTITLEMENTS IN THE NATURE OF FIXED ALLOCATIONS

1. Electorate to Sydney Travel

Purpose and Operation of the Provisions

Members of the Legislative Assembly who reside in electorate groups 2 to 8 and Members of the Legislative Council who reside in zones 2 or 3 qualify for return air travel warrants between their electorates/zones and Sydney.

These entitlements are provided for the performance of Parliamentary duties.

All eligible Members shall receive one hundred and four (104) single economy class journeys per annum between electorate/zone and Sydney.

Where eligible, each of the below mentioned recognised office holders shall be entitled to the following additional electorate to Sydney travel entitlements per annum.

Entitlement

Office holder	Electorate to Sydney travel entitlement
Minister of the Crown	32 single journey entitlements
Speaker of the Legislative Assembly	32 single journey entitlements
President of the Legislative Council	32 single journey entitlements
Leader of the Opposition Assembly and Council	32 single journey entitlements
Leader of Party (not less than 10 Members in the Legislative Assembly)	32 single journey entitlements
Chairman of Committees Legislative Assembly and Legislative Council	32 single journey entitlements.
Deputy Speaker	32 single journey entitlements
Deputy Leader of the Opposition Assembly and Council	16 single journey entitlements
Deputy Leader of Party (not less than 10 Members in the Legislative Assembly)	16 single journey entitlements

Conditions

1. All electorate to Sydney travel and return is restricted to economy class.
2. Warrants may be used to meet the cost of using a private motor vehicle or rental vehicle in lieu of electorate to Sydney air travel. The amount to be reimbursed for this purpose is not to exceed the commercial airfare for an equivalent distance flight.
3. A minimum of one warrant is required to be surrendered for each single journey; a return trip will require the surrender of at least two warrants.
4. Warrants are not transferable between Members, or approved relatives, or Members' staff.
5. Where the Determination refers to warrants, the expression is intended to include a reference to the existing system for electorate to Sydney travel used for the Legislative Council.
6. Members may use electorate to Sydney warrants to defray part of the cost of intrastate and interstate Parliamentary travel when such travel is via Sydney.
7. Members may charter a plane in lieu of travelling on commercial flights provided that travel is for electorate and/or Parliamentary business and that sufficient warrants based on the equivalent commercial cost of each person travelling are surrendered. The cost of Member's approved relative travelling on the charter is to be met from the Member's Logistic Support Allocation. It is a condition of all air transport charters that the Member responsible for organising the charter obtains a passenger manifest from the charter operator and attaches it to the invoice when it is sent for payment.
8. A Member's air transport booking for Parliamentary duties and that of their spouse/approved relative and staff are to be made by the Member with an appropriate transport provider.

9. Members will need to maintain records or other relevant evidence that clearly document the occasions they travelled to Sydney in connection with their Parliamentary duties. A copy of this documentation is to be supplied to the Parliament's administration. When travelling by commercial air flights, copies of airline boarding passes are to be supplied to the Parliament when issued for arrival and departure from Sydney.

2. Logistic Support Allocation

Purpose and Operation of the Provision

The Clerks of the Parliament will establish a Logistic Support Allocation Account for each Member.

There must be sufficient funds in the Member's Logistic Support Allocation. The items in respect of which the LSA may be used must not duplicate services already provided to Members by the Parliament and the expenditure must be consistent with this Determination.

Entitlement

Each Member and Recognised Office Holder of the Legislative Assembly who resides in one of the following electorate groups will be entitled to an annual allocation for the Logistic Support Allocation as follows:

Electorate Group	LSA
Group 1	\$30,615
Group 2	\$34,255
Group 3	\$36,645
Group 4	\$36,645
Group 5	\$36,645
Group 6	\$39,030
Group 7	\$39,030

Each Member and Recognised Office Holder of the Legislative Council who resides in one of the following zones will be entitled to an annual allocation for the Logistic Support Allocation as follows:

<u>Zone</u>	<u>Entitlement</u>
Zone 1 Electorates	\$20,765
Zone 2 Electorates	\$21,385
Zone 3 Electorates	\$31,675

Recognised Office Holders are entitled to further additional entitlements as specified in Schedule 3.

General Conditions

The following general conditions shall apply to the Logistic Support Allocation Account:

1. The Presiding Officers will establish and maintain a list outlining the purposes for which the LSA may be used. The list is to have regard to taxation, accounting and funding implications.
2. Subject to these conditions, each Member shall determine at his/her own discretion the use of the funds within this Account for the purpose and operations specified above.
3. It is the primary responsibility of Members to ensure that they manage their Logistic Support Allocation Account to ensure that they do not over-expend their budget. The Tribunal will not provide for supplementation of this Allocation. However, the Logistic Support Allocation is not intended to restrict the proper use of the Electoral Allowance.
4. Members may not use their Logistic Support Allocation to procure goods or services to be used for direct electioneering purposes or political campaigning.
5. Any unused funds remaining in the Member's account at the end of the financial year within the four year Parliamentary term shall be carried over to the following financial year. At the end of each four year Parliamentary term or the earlier

dissolution of the Legislative Assembly, any balance remaining in the Member's account is to be relinquished to the Consolidated Fund.

6. Accounts will be paid either directly by the Parliament and debited to a Member's account or paid in the first instance by the Member who would then seek reimbursement from the Parliament.
7. Members must personally authorise expenditure from their Logistic Support Allocation. Whilst, subject to the particular conditions, Members may determine at their discretion the use of the funds available for any purpose and operation specified by the Presiding Officers, the following table outlines the basis upon which the Tribunal has established the quantum of the account for future assessment. The table shall be used for the future assessment of the Allocation and for particular purposes such as the calculation of additional entitlements for Recognised Office Holders.

Electorate Group or Zone	Transport	Communication –electronic	Communication –non- electronic	Printing and Stationery and Office Supplies	Total Logistic Support Allowance
Legislative Assembly					
Group 1	\$4,780	\$4,175	\$14,065	\$7,595	\$30,615
Group 2	\$7,170	\$5,425	\$14,065	\$7,595	\$34,255
Group 3	\$9,560	\$5,425	\$14,065	\$7,595	\$36,645
Group 4	\$9,560	\$5,425	\$14,065	\$7,595	\$36,645
Group 5	\$9,560	\$5,425	\$14,065	\$7,595	\$36,645
Group 6	\$11,945	\$5,425	\$14,065	\$7,595	\$39,030
Group 7	\$11,945	\$5,425	\$14,065	\$7,595	\$39,030
Legislative Council					
Zone 1 Electorates	\$4,780	\$4,805	\$3,585	\$7,595	\$20,765
Zone 2 Electorates	\$4,780	\$5,425	\$3,585	\$7,595	\$21,385
Zone 3 Electorates	\$11,945	\$8,550	\$3,585	\$7,595	\$31,675

Particular Conditions.Transport (Other than Electorate or Electorate to Sydney transport)

1. A Member may use any form of transport within Australia subject to the requirement that the transport was used for Parliamentary or electorate duties and that the cost was reasonable.
2. A Member may travel to any place in Australia, subject to the requirement that all such travel must be for Parliamentary duties and that there must be, at the time of the making of the relevant reservation, sufficient funds in that Member's Account to pay for the expenses involved.
3. All transport costs associated with approved relative or Members' staff travel (excluding travel costs associated with staff training) are to be provided from the Logistic Support Allocation Account. Staff training costs are to be met by the Legislature.
4. Members and their approved relatives, when travelling in connection with the Member's Parliamentary duties, may claim reasonable actual accommodation and meal expenses from the Member's Logistic Support Allocation. The reimbursement of these expenses may not exceed the travel allowance rates as determined for Group 2 in Table 2 hereunder. Staff employed by the Parliament who travel with their Member or separately for Parliamentary business purposes may be paid travel allowances in accordance with appropriate Public Service Award conditions.
5. A Member and his or her approved relative may travel together or separately in connection with attendance at a function in the course of Parliamentary duties.
6. A Member, his or her approved relative and staff employed by the Parliament, may use taxis or hire cars for Parliamentary duties.

7. A Member's air transport booking for Parliamentary duties and that of their spouse/approved relative and staff are to be made by the Member with an appropriate transport provider.
8. Members should ensure that records are maintained that clearly document the occasions that staff employed by the Parliament stayed in Sydney or other locations when travelling in connection with the Member's Parliamentary duties. Such documentation may include airline boarding passes for arrival and departure or other documentary evidence of having travelled and stayed in accommodation.
9. A Member may use charter transport in connection with Parliamentary duties, but only within the limits of the Member's individual Logistic Support Allocation. No passenger, except the Member's approved relative and staff employed by the Parliament accompanying the Member on Parliamentary duties, may be carried at the cost of the Member's Logistic Support Allocation entitlement. Where more than one Member is travelling on the air charter, the total air charter costs should be shared equally between the Members travelling.
10. It is a condition of all air transport charters that the Member responsible for organising the charter obtain a passenger manifest from the charter operator and attach it to the invoice when it is submitted for payment to the Legislature.
11. Members together with their approved relative will need to maintain records or other relevant evidence that clearly document the occasions they travelled in connection with their Parliamentary duties. A copy of this documentation is to be supplied to the Parliament's administration. When travelling by commercial air flights, copies of boarding passes are also to be supplied.

Communication – electronic

1. The Tribunal accepts that there will be some private usage in connection with mobile telephones supplied by the Parliament and electronic communication equipment installed at public expense in a Member's principal place of residence. To ensure the Legislature does not pay Fringe Benefits Tax for the private usage of electronic equipment, the Financial Controller will undertake a survey over an appropriate period of time to ascertain public/private percentage use of Members' home telecommunication services. Once established, Members will be reimbursed the Parliamentary business cost of each home telecommunication call or usage account and an adjustment shall be made to previous accounts reimbursed from the effective date of this Determination on or from the date of election, whichever is the later.
2. Members may utilise any telecommunication services or network features with the exception of overseas calls, charged information/service calls, reverse charge calls, home-link calls and Telecard calls.
3. The following Recognised Office Holders shall be entitled to 100 per cent reimbursement for electronic-communication costs including overseas calls for Parliamentary business.
 - Ministers
 - Presiding Officers
 - Leader of the Opposition (Assembly and Council)
 - Leader of a Party not less than 10 Members in the Legislative Assembly
 - Chairman of Committees (Assembly and Council)
 - Deputy Speaker
 - Deputy Leader of the Opposition (Assembly and Council)
 - Deputy Leader of a Party with not less than 10 Members in the Legislative Assembly
 - Parliamentary Secretaries (Assembly and Council)
 - Government and Opposition Whips (Assembly and Council)
 - Whip of a third party with not less than 10 Members (Legislative Assembly)
 - Deputy Whips (Legislative Assembly).

4. A fax line installed at Legislative Council Members' home offices continue to be reimbursed at the rate of 100 per cent.
5. Call charges pertaining to a data line installed at Legislative Council Members' home offices be reimbursed at the rate of 100 per cent where Members do not have a broadband service connected, subject to the line being used for Parliamentary duties.
6. Members will be required to meet the cost of all overseas calls, other charged information/service calls, reverse charge calls and home-link and Telecard calls.
7. Accounts will be paid either directly by the Parliament and debited to a Member's account or paid in the first instance by the Member who would then seek reimbursement from the Parliament.

Communication - non-electronic

Members are permitted to purchase postage stamps or other mail distribution and delivery services and make arrangements for payment direct by the Parliament or obtain reimbursement by providing substantiation in accordance with the requirements of the Parliament's administration.

Printing, Stationery and Office Supplies

1. Members may only use the printing, stationery and office supplies entitlement for Parliamentary duties.
2. The entitlement may be used to purchase printing, stationery and office supplies from the Parliament or other providers and in accordance with Parliamentary procurement policies and practices.
3. A Member may not use their printing, stationery and office supplies allowances to procure goods or services to be used for direct electioneering purposes or political campaigning.

4. The purchase of computer software from the Logistic Support Allocation is subject to the following conditions:
- The software will not be supported by the Parliament's I.T. Section.
 - The software is required to be removed from the computers supplied by the Parliament if there is any conflict with the Parliament's computer network.
 - The software is not to be used for political campaigning or electioneering purposes.

3. Electorate Mailout Account

Each Member of the Legislative Assembly will be provided with an amount as specified in the attached Schedule for the following specific purposes:

- A) For preparing and distributing letters/newsletters to each constituent in his/her electorate. Members are provided with an annual amount based on the cost of issuing two newsletters/letters per enrolled voter per annum. Members may issue additional newsletters/letters subject to available funds in their Electorate Mail-Out Account and the Legislative Assembly's administrative guidelines.

- B) Upon the gazettal of new electoral districts following an electoral redistribution (undertaken pursuant to s 27(1)(c) of the *Constitution Act 1902*), Members may use their Electorate Mailout Account to communicate with prospective constituents from neighbouring electorates who at the time of the next election following the gazettal of the new electoral districts will become constituents of the Member's electorate.

Conditions

- 1. The Electorate Mailout Account shall be established and maintained by the Clerk of the Legislative Assembly. Members should be advised by the Clerk each month as to the balance of their Account.

- 2. Members are to fund the cost of preparing, printing and distributing letters/Newsletters to each constituent in his/her electorate and for no other purpose.

- 3. All procurement by Members will be in accordance with the Parliament's purchasing policies.

- 4. No supplementation to the allocation will be considered. Any additional costs are to be met from the Member's Logistic Support Allocation.

- 5. Unused funds are to be returned to the Consolidated Fund at the end of each financial year.

6. All accounts must be submitted to the Legislature for payment within 60 days of receipt.
7. Printing and distribution of newsletters/letters from the Electorate Mailout Account is to be in accordance with the Parliament's administrative guidelines.
8. Communication with prospective constituents following gazettal of electoral districts will be limited only to those electors who will transfer from adjoining electorates to the new electorate. Each Member is to receive the details of the prospective constituents from the State Electoral Office
9. Communications with constituents/prospective constituents will be limited to matters affecting the Member's electorate.

4. Electorate Charter Transport for Members of the Legislative Assembly

Purpose and operation of the provision

Members of the largest electorates (Electoral Groups 5-8) shall be provided with an allowance from which is met charter transport costs incurred within their electorates. For the purposes of this allowance “charter transport” means charter transport used with and for the service of the Member’s electorate and includes charter aircraft, drive yourself vehicles and any other mode of charter transport that may be deemed appropriate in the circumstances by the Speaker of the Legislative Assembly.

Entitlement

Members of the Legislative Assembly in the following Electorate Groups shall be entitled to Charter Transport Allowance up to the maximum amount shown below:

<u>Electorates</u>	<u>Entitlement</u>
Group 5	\$6,980
Group 6	\$11,400
Group 7	\$21,080

Conditions

The following conditions shall apply in respect of Charter Transport Allowance:

1. This Allowance shall only be used in connection with Parliamentary duties within the Member’s electorate and shall not be used during election campaigns or for other electioneering or party political activities.
2. Only the cost of the Member’s approved relative or Member of staff accompanying the Member may be met from this Allowance.
3. It is a condition of all air transport charters that the Member responsible for organising the charter obtain a passenger manifest from the charter operator and attach it to the invoice when it is submitted for payment to the Legislature.

4. Members are to meet the cost of the air charter and seek reimbursement from the Financial Controller with appropriate certification as to the purpose of the charter.
5. The charter transport shall only be used within and for the service of the Member's electorate. Where the closest source of available charter transport to the Member's electorate, electorate office or principal place of residence is outside the boundaries of the electorate, the reasonable additional expenses consequently incurred may be included in the reimbursement available under this Determination.
6. Members may use their Charter Transport Allowance to fly to an airfield located outside their electorate in circumstances where there is no suitable airfield located in the part of the electorate being visited by the Member. In these circumstances the Member would fly to the relevant airfield outside his/her electorate and then drive back to the electorate to conduct electorate business.
7. Members may also use the Charter Transport Allowance to attend regional or other meetings within an adjoining electorate relating to matters affecting their electorate. Members should first seek approval to use this Allowance in such a manner from the Presiding Officers. Members should be able to satisfy the Presiding Officers that the purpose of the journey relates to electorate business.
8. These additional entitlements shall be audited annually for compliance. In addition to any internal audit conducted by the Parliament, Members' additional entitlements shall be the subject of an external audit conducted by the Auditor-General of NSW. The cost of any auditing shall be met by the Parliament. Members should ensure they maintain appropriate records of expenditure.

5. Travelling Allowances for Recognised Office Holders

Table 2 – Indicative Upper Limits for Travel Expenditure

Office Holders	Capital Cities		Other Areas	Where no overnight stay is required
Group 1	\$404.45 (Melbourne)	\$355.45 (Adelaide, Brisbane, Canberra, Darwin, Hobart, Perth)	\$319.45	Actual reasonable meal expenses
Group 2	\$297.65 (Brisbane, Perth, Melbourne)	\$273.65 (Adelaide, Canberra, Darwin, Hobart)	\$200.10	Actual reasonable meal expenses

Recognised Office Holders are classified into one of the following two groups.

Group 1

Premier,

Deputy Premier,

Senior and Other Ministers,

President of the Legislative Council and Speaker of the Legislative Assembly,

Chairman of Committees (Legislative Assembly and Legislative Council),

Chairman of Select, Joint Standing, Standing and Public Accounts Committees,

Leader of the Opposition in the Legislative Assembly and Legislative Council,

Deputy Leader of the Opposition in the Legislative Assembly,

Deputy Speaker in the Legislative Assembly.

Group 2

Deputy Leader of the Opposition in the Legislative Council,

Deputy Leader in the Legislative Council (other than the Leader or Deputy Leader of the Opposition) of a recognised political party not fewer than 9 members of which are members of the Legislative Council and of which no member is a Minister,

Leader and Deputy Leader of a Recognised Political Party of which not less than ten Members are Members of the Legislative Assembly,

Government and Opposition Whips,
Deputy Government and Deputy Opposition Whips,
Parliamentary Secretary,
Whip in the Legislative Assembly of a recognised political party, not fewer than 10 members of whom are members of the Legislative Assembly,
Deputy Whip in the Legislative Assembly of a recognised political party, not fewer than 40 members of which are members of the Legislative Assembly,
Members of Select, Joint Standing, Standing and Public Accounts Committees.

The following conditions shall apply in respect of this allowance:

1. Recognised Office Holders are to be reimbursed travelling expenses when travel is undertaken in association with their role as a Recognised Office Holder only. These allowances will not apply when a Member travels on Parliamentary business in their own capacity.
2. Recognised Office Holders are eligible to claim reasonable actual travelling expenses for overnight absences from Sydney or their electorate/principal home residence. Where no overnight absence is involved Recognised Office Holders may claim reasonable actual meal expenses. Indicative upper limits for travel expenditure are outlined in Table 2.
3. The payment of actual travelling expenses will be paid subject to the production of tax invoices/receipts relating to accommodation, meal and other incidental expenses by the Recognised Office Holder concerned.
4. A Recognised Office Holder whose approved relative accompanies him or her to a State or other official function and who consequently incurs expenses in respect of meals and accommodation exceeding the allowance to which he or she is entitled, shall be entitled to be reimbursed the additional expenses associated with the approved relative.

5. Those Recognised Office Holders for whom non-Parliamentary funded budgets are provided are to meet travel allowance costs from those budgets and not from the Parliament.

6. Equipment, Services and Facilities

Members of the Legislative Assembly and the Legislative Council shall be provided by the Parliament with the equipment, services and facilities necessary to perform their Parliamentary duties as follows:

1. All Members shall receive at Parliament House, Sydney, a fitted out, equipped and maintained office, and secretarial services.
2. Each Member of the Legislative Assembly shall receive a fitted out, equipped and maintained Electorate Office to an appropriate standard. The Member for Murray-Darling and the Member for Barwon is to be provided with an additional electorate office.
3. Each Member shall be supplied equipment and ancillary services in the Member's private residence (or if the Member has more than one private residence then in the Member's principal private residence) including a telephone and a facsimile machine, for the performance by the Member of Parliamentary duties.
4. Each Member shall receive portable equipment to supplement the provision of equipment as referred to in clauses 1, 2 and 3 above, except where such equipment is already provided by the Executive Government. This portable equipment shall include, but is not limited to, a mobile telephone and a notebook computer.
5. Each Member of the Legislative Council shall have a separate facsimile line installed in their home. A separate data line shall also be installed to provide access to the Parliament's secure computer network unless Members elect to connect to a broadband service.
6. The Presiding Officers are to provide administrative support to each Member in accordance with the following:
 - i. Subject to (ii), each Member of the Legislative Assembly shall have two staff Members employed at each electoral office.

- ii. Each Member of the Legislative Assembly elected as an Independent shall have an additional staff Member employed at his/her electoral office.
- iii. Each Member of the Legislative Assembly, not elected as an Independent, shall be provided with a budget specific for the recruitment of temporary staff. The budget is to provide for an additional staff member to work in the electorate office or at Parliament House. The budget is to be the equivalent of the salary of an electorate officer grade 2 for a period of 61 days per annum. Within this budget, Members have the flexibility to use this entitlement to employ additional staff.
- iv. Each Member of the Legislative Council, who is not a Minister, shall be entitled to one staff Member. When the staff Member is on annual recreation leave or other extended period of leave, a relief staff member may be employed for the period of absence.
- v. Each Member of the Legislative Council, who is not a Minister, and who is elected as a cross bench Member shall be entitled to two staff members.
- vi. Ministers shall receive a reasonable allocation of staff members.
- vii. The Whip of each recognised political party of not less than 10 members to each be provided with one member of staff.
- viii. This provision specifies the minimum staffing required in electorate offices. Nothing in this Determination removes from the employer of staff the obligations arising under the *Occupational Health and Safety Act 2000*.

Dated this 30 day of May 2008

The Honourable Justice R P Boland

THE PARLIAMENTARY REMUNERATION TRIBUNAL

ELECTORAL GROUPS

SCHEDULE 1

Group 1 Electorates		
1. Auburn	19. Heffron	37. Parramatta
2. Balmain	20. Hornsby	38. Penrith
3. Bankstown	21. Kogarah	39. Pittwater
4. Baulkham Hills	22. Ku-ring-gai	40. Riverstone
5. Blacktown	23. Lakemba	41. Rockdale
6. Cabramatta	24. Lane Cove	42. Ryde
7. Camden	25. Liverpool	43. Smithfield
8. Campbelltown	26. Londonderry	44. Strathfield
9. Canterbury	27. Macquarie Fields	45. Sydney
10. Castle Hill	28. Manly	46. Toongabbie
11. Coogee	29. Maroubra	47. Vacluse
12. Cronulla	30. Marrickville	48. Wakehurst
13. Davidson	31. Menai	49. Willoughby
14. Drummoyne	32. Miranda	
15. East Hills	33. Mount Druitt	
16. Epping	34. Mulgoa	
17. Fairfield	35. North Shore	
18. Granville	36. Oatley	
Group 2 Electorates		
1. Blue Mountains	8. Lake Macquarie	14. Wallsend
2. Charlestown	9. Newcastle	15. Wollondilly
3. Gosford	10. Shellharbour	16. Wollongong
4. Hawkesbury	11. Swansea	17. Wyong
5. Heathcote	12. Terrigal	
6. Keira	13. The Entrance	
7. Kiama		

SCHEDULE 1

Group 3 Electorates		
1. Ballina	5. Maitland	9. South Coast
2. Cessnock	6. Myall Lakes	10. Tweed
3. Coffs Harbour	7. Port Macquarie	
4. Goulburn	8. Port Stephens	
Group 4 Electorates		
1. Albury	4. Dubbo	7. Oxley
2. Bathurst	5. Lismore	8. Tamworth
3. Bega	6. Orange	9. Wagga Wagga
Group 5 Electorates		
1. Burrinjuck		
2. Clarence		
3. Monaro		
4. Northern Tablelands		
Group 6 Electorates		
1. Murrumbidgee		
2. Upper Hunter		
Group 7 Electorates		
1. Barwon		
2. Murray Darling		

SYDNEY ALLOWANCE GROUPINGS

SCHEDULE 2

Category 1		
1. Blue Mountains	9. Newcastle	16. Wollongong
2. Charlestown	10. Shellharbour	17. Wyong
3. Gosford	11. Swansea	
4. Hawkesbury	12. Terrigal	
5. Heathcote	13. The Entrance	
6. Keira	14. Wallsend	
7. Kiama	15. Wollondilly	
8. Lake Macquarie		

Category 2		
1. Albury	12. Lismore	21. Port Macquarie
2. Ballina	13. Maitland	22. Port Stephens
3. Barwon	14. Monaro	23. South Coast
4. Bathurst	15. Murray-Darling	24. Tamworth
5. Burrinjuck	16. Murrumbidgee	25. Tweed
6. Bega	17. Myall Lakes	26. Upper Hunter
7. Cessnock	18. Northern Tablelands	27. Wagga Wagga
8. Clarence	19. Orange	
9. Coffs Harbour	20. Oxley	
10. Dubbo		
11. Goulburn		

LEGISLATIVE COUNCIL ZONES

SCHEDULE 2A

Zone 1 Electorates		
1. Auburn	19. Heffron	37. Parramatta
2. Balmain	20. Hornsby	38. Penrith
3. Bankstown	21. Kogarah	39. Pittwater
4. Baulkham Hills	22. Ku-ring-gai	40. Riverstone
5. Blacktown	23. Lakemba	41. Rockdale
6. Cabramatta	24. Lane Cove	42. Ryde
7. Camden	25. Liverpool	43. Smithfield
8. Campbelltown	26. Londonderry	44. Strathfield
9. Canterbury	27. Macquarie Fields	45. Sydney
10. Castle Hill	28. Manly	46. Toongabbie
11. Coogee	29. Maroubra	47. Vaucluse
12. Cronulla	30. Marrickville	48. Wakehurst
13. Davidson	31. Menai	49. Willoughby
14. Drummoyne	32. Miranda	
15. East Hills	33. Mount Druitt	
16. Epping	34. Mulgoa	
17. Fairfield	35. North Shore	
18. Granville	36. Oatley	
Zone 2 Electorates		
1. Blue Mountains	8. Lake Macquarie	14. Wallsend
2. Charlestown	9. Newcastle	15. Wollondilly
3. Gosford	10. Shellharbour	16. Wollongong
4. Hawkesbury	11. Swansea	17. Wyong
5. Heathcote	12. Terrigal	
6. Keira	13. The Entrance	
7. Kiama		

LEGISLATIVE COUNCIL ZONES

SCHEDULE 2A

Zone 3 Electorates		
1. Albury	11. Goulburn	21. Port Macquarie
2. Ballina	12. Lismore	22. Port Stephens
3. Barwon	13. Maitland	23. South Coast
4. Bathurst	14. Monaro	24. Tamworth
5. Bega	15. Murrumbidgee	25. Tweed
6. Burrinjuck	16. Murray-Darling	26. Upper Hunter
7. Cessnock	17. Myall Lakes	27. Wagga Wagga
8. Clarence	18. Northern Tablelands	
9. Coffs Harbour	19. Orange	
10. Dubbo	20. Oxley	

**RECOGNISED OFFICE HOLDER AND
OTHER MEMBER ENTITLEMENTS**

SCHEDULE 3

Recognised Office Holder	Transport	Communication (electronic)	Communication (non- electronic)	Printing & Stationery
Presiding Officer	30%		55%(A) 175%(C)	40%
Minister				40%
Deputy Speaker, Chair of Committees				40%
Leader of the Opposition	20%(A)		140%(A) 175%(C)	40%
Deputy Leader of the Opposition	10%		15%(C)	40%
Whips			15%(C)	40%
Party Leader (not less than 10 Members)	15%			40%
Deputy Party Leader (not less than 10 Members LA or 9 Members LC)	10%			40%
Leader of the National Party (in Opposition with not less than 10 Members in LA)	15%		15%	40%
Other Recognised Office Holders				40%
Independent Members				20%

Recognised Office Holders and Members referred to in schedule 3 receive additional entitlements for only one office; that office being the office which attracts the greater level of entitlement. These entitlements, as they apply to Recognised Office Holders, are to be available only for Recognised Office Holder duties.

Where entitlements formerly provided for the Recognised Office Holder's approved relative these have been included in the allocation.

Where an entitlement is followed by (A) or (C) it applied only to the Office Holder in either the Assembly or the Council.

SCHEDULE 4

ELECTORATE MAILOUT ACCOUNT

ELECTORAL DISTRICT	NUMBER OF ELECTORS (as at 30 April 2008 as provided by the State Electoral Office)	ANNUAL ENTITLEMENT
1. Albury	49,463	\$64,302
2. Auburn	49,318	\$64,113
3. Ballina	47,421	\$61,647
4. Balmain	50,339	\$65,441
5. Bankstown	47,680	\$61,984
6. Barwon	44,791	\$58,228
7. Bathurst	48,435	\$62,966
8. Baulkham Hills	50,255	\$65,332
9. Bega	49,016	\$63,721
10. Blacktown	47,832	\$62,182
11. Blue Mountains	47,839	\$62,191
12. Burrinjuck	47,952	\$62,338
13. Cabramatta	50,160	\$65,208
14. Camden	47,513	\$61,767
15. Campbelltown	45,519	\$59,175
16. Canterbury	50,832	\$66,082
17. Castle Hill	50,712	\$65,926
18. Cessnock	49,370	\$64,181
19. Charlestown	47,583	\$61,858
20. Clarence	49,504	\$64,355
21. Coffs Harbour	49,113	\$63,847
22. Coogee	48,880	\$63,544
23. Cronulla	48,617	\$63,202
24. Davidson	48,016	\$62,421
25. Drummoyne	49,004	\$63,705
26. Dubbo	48,419	\$62,945
27. East Hills	47,169	\$61,320
28. Epping	48,903	\$63,574
29. Fairfield	50,308	\$65,400
30. Gosford	48,887	\$63,553
31. Goulburn	48,128	\$62,566
32. Granville	50,007	\$65,009
33. Hawkesbury	49,227	\$63,995
34. Heathcote	47,228	\$61,396
35. Heffron	50,338	\$65,439
36. Hornsby	50,649	\$65,844
37. Keira	47,138	\$61,279
38. Kiama	48,501	\$63,051
39. Kogarah	48,981	\$63,675

ELECTORAL DISTRICT	NUMBER OF ELECTORS (as at 30 April 2008 as provided by the State Electoral Office)	ANNUAL ENTITLEMENT
40. Ku-Ring-Gai	48,442	\$62,975
41. Lake Macquarie	48,154	\$62,600
42. Lakemba	51,043	\$66,356
43. Lane Cove	47,773	\$62,105
44. Lismore	49,891	\$64,858
45. Liverpool	48,679	\$63,283
46. Londonderry	46,506	\$60,458
47. Macquarie Fields	49,502	\$64,353
48. Maitland	50,360	\$65,468
49. Manly	47,674	\$61,976
50. Maroubra	48,514	\$63,068
51. Murrumbidgee	51,050	\$66,365
52. Menai	48,030	\$62,439
53. Miranda	46,993	\$61,091
54. Monaro	48,718	\$63,333
55. Mount Drutt	46,799	\$60,839
56. Mulgoa	47,947	\$62,331
57. Murray-Darling	47,172	\$61,324
58. Murrumbidgee	47,769	\$62,100
59. Myall Lakes	49,278	\$64,061
60. Newcastle	48,170	\$62,621
61. North Shore	51,155	\$66,502
62. Northern Tablelands	49,607	\$64,489
63. Oatley	47,926	\$62,304
64. Orange	48,416	\$62,941
65. Oxley	47,540	\$61,802
66. Parramatta	49,457	\$64,294
67. Penrith	46,398	\$60,317
68. Pittwater	47,417	\$61,642
69. Port Macquarie	47,672	\$61,974
70. Port Stephens	48,010	\$62,413
71. Riverstone	52,138	\$67,779
72. Rockdale	48,595	\$63,174
73. Ryde	48,113	\$62,547
74. Shellharbour	47,943	\$62,326
75. Smithfield	50,474	\$65,616
76. South Coast	48,491	\$63,038
77. Strathfield	48,329	\$62,828
78. Swansea	49,125	\$63,863
79. Sydney	54,159	\$70,407
80. Tamworth	48,513	\$63,067
81. Terrigal	47,442	\$61,675

ELECTORAL DISTRICT	NUMBER OF ELECTORS (as at 30 April 2008 as provided by the State Electoral Office)	ANNUAL ENTITLEMENT
82. The Entrance	48,523	\$63,080
83. Toongabbie	48,701	\$63,311
84. Tweed	47,296	\$61,485
85. Upper Hunter	48,743	\$63,366
86. Vacluse	49,731	\$64,650
87. Wagga Wagga	49,281	\$64,065
88. Wakehurst	49,700	\$64,610
89. Wallsend	47,300	\$61,490
90. Willoughby	49,365	\$64,175
91. Wollondilly	48,561	\$63,129
92. Wollongong	49,532	\$64,392
93. Wyong	48,275	\$62,758

Advice of the Secretary of Treasury Pursuant to Section 12A of the *Parliamentary Remuneration Act, 1989*

The following comments on the Parliamentary Remuneration Tribunal's 2008 annual determination are made pursuant to Section 12A of the *Parliamentary Remuneration Act, 1989* by the Secretary of the Treasury.

Financial Implications

The 2008 annual determination is fundamentally consistent with the previous determination.

The table below shows the variation in entitlements over the 2007 determination.

For the purpose of calculating the costs, the estimates are based on the 2008 composition of the Legislative Assembly and the Council membership. Estimates have not been provided where the maximum remuneration limits for the particular allowances are not defined (ie Travelling Allowance for Recognised Office Holders). The Sydney Allowance is calculated on the annual amount allocated to Members.

ENTITLEMENT	2007 DET.	2008 DET.	CHANGE
Electoral Allowance	\$ 5,965,800	\$ 6,216,335	\$ 250,535 +4.2%
Sydney Allowance	\$ 1,606,500	\$ 1,940,400	\$ 333,900 +20.8%
Logistic Support Allocation	\$ 3,913,485	\$ 4,077,905	\$ 164,420 +4.2%
Electorate Mail-out Account ⁽¹⁾	\$ 5,844,823	\$ 5,888,271	\$ 43,448 +0.7%
Committee Allowance ⁽²⁾	\$ 19,531	\$ 19,531	NIL
Electorate Charter Transport Allowance - LA Members	\$ 97,180	\$ 97,180	NIL
Travelling Allowance for Recognised Office Holders	Not Estimated	Not Estimated	Increased ⁽³⁾
TOTAL MINIMUM EXPENDITURE	\$17,447,319	\$18,239,622	\$ 792,303 +4.5%

(1) Based on an increase in electors as provided by the NSW Electoral Commission.

(2) Includes members of Public Accounts Committee only.

(3) Adjusted in line with movements in public sector rates which vary depending on travel destination.

Member entitlements have increased by **\$792,303** over the 2007 determination, which represents a rise of 4.5 percent.

The increase in Electoral Allowance, Sydney Allowance and Logistic Support Allocation of 4.2% is in line with the March CPI, although the increase in total cost of the Sydney Allowance is greater because of an increase in the eligible Members of the Legislative Council.

The rates for calculating the Electorate Mailout Account (EMA) and the Charter Transport Allowance have not changed, although there is an overall increase of 0.7 percent for EMA entitlements as a result of an increase in electors. The increase to the Travel Allowance to Recognised Office Holders may drive up this expenditure slightly.

Accountability and Control

Additional guidelines have been set by the Parliamentary Remuneration Tribunal to ensure greater accountability and control over the use of entitlements by Members.

John Pierce
Secretary
30/5/08

PRIVATE ADVERTISEMENTS

COUNCIL NOTICES

BATHURST REGIONAL COUNCIL

Roads Act 1993

Land Acquisition (Just Terms Compensation) Act 1991

Notice of Compulsory Acquisition of Land

BATHURST REGIONAL COUNCIL declares with the approval of Her Excellency the Governor, that the land described in the Schedule below, excluding any mines or deposits of minerals in the land, is acquired by compulsory process in accordance with the provisions of the Land Acquisition (Just Terms Compensation) Act 1991, for the purpose of a public road. Dated at Bathurst, 6 March 2008. DAVID JOHN SHERLEY, General Manager, Bathurst Regional Council, PMB 17, Bathurst NSW 2795.

SCHEDULE

Lot 1, DP 1107301. [3959]

BELLINGEN SHIRE COUNCIL

Erratum

Roads (General) Regulation 2000

Naming of Roads

THE Bellingen Shire Council notice published in the *New South Wales Government Gazette* No. 66 of 6 June 2008, folio 4751, contains an error in the Council Resolution Date:

The Resolution Date read

2 October 2008

It should have read

2 October 2007

This erratum now amends that error. MIKE COLREAVY, General Manager, Bellingen Shire Council, PO Box 117, Bellingen NSW 2454. [3960]

KU-RING-GAI COUNCIL

Roads Act 1993 Section 162

Renaming of Roads

NOTICE is hereby given that Council in pursuance of Section 162 of the Roads Act 1993, has resolved to rename the road previously known as Bogan Place to:

RAINFOREST CLOSE

Authorised by resolution of Council on 27 May 2008. JOHN McKEE, General Manager, Ku-ring-gai Council, Locked Bag 1056 Pymble NSW 2073. [3961]

PARKES SHIRE COUNCIL

Roads Act 1993, Section 162.1

Naming of Public Roads

Charles Barber Close and Andrew Stewart Road

NOTICE is hereby given that in accordance with section 162.1 of the Roads Act 1993, as amended, Parkes Shire Council have named the roads shown hereunder:

Location

Road off Farrer Street, Parkes.

Name

Charles Barber Close.

Road off Emerton Road, Parkes, commencing between Lots 213 and 119, DP 750179.

Andrew Stewart Road.

No objections to the proposed names were received within the prescribed period of time. A. McCORMACK, General Manager, Parkes Shire Council, PO Box 337, Parkes NSW 2870. [3962]

PORT MACQUARIE-HASTINGS COUNCIL

Roads Act 1993

Land Acquisition (Just Terms Compensation) Act 1991

Notice of Compulsory Acquisition of Land

PORT MACQUARIE-HASTINGS COUNCIL declares with the approval of Her Excellency the Governor that the land described in the schedule below, excluding any mines or deposits of minerals in the land, is acquired by compulsory process in accordance with the provisions of the Land Acquisition (Just Terms Compensation) Act 1991 for public road. Dated at Port Macquarie this twelfth day of June 2008. DAVID MEAD, General Manager, Port Macquarie – Hastings Council, corner Lord and Burrawan Streets, Port Macquarie, N.S.W., 2444.

SCHEDULE

Lot 5 DP1094444. [3963]

PORT MACQUARIE-HASTINGS COUNCIL

Roads Act 1993

Section 10 Dedication of Land as Public Road

NOTICE is given that the Port Macquarie – Hastings Council that pursuant to Section 10(1) of the Roads Act 1993, the land described in the schedule below is hereby dedicated as public road. Dated at Port Macquarie this twelfth day of June 2008. DAVID MEAD, General Manager, Port Macquarie – Hastings Council, corner Lord and Burrawan Streets, Port Macquarie, N.S.W., 2444.

SCHEDULE

Lot 5 DP1094444 being land situated on Major Innes Road at Port Macquarie. [3964]

PORT MACQUARIE-HASTINGS COUNCIL

Local Government Act 1993

Land Acquisition (Just Terms Compensation) Act 1991

Notice of Compulsory Acquisition of Land

PORT MACQUARIE-HASTINGS COUNCIL declares with the approval of Her Excellency the Governor that the land described in schedule 1 below and the easement described in schedule 2 below, excluding any mines or deposits of minerals in the land, are acquired by compulsory process in accordance with the provisions of the Land Acquisition

(Just Terms Compensation) Act 1991 for drainage purposes. Dated at Port Macquarie this twelfth day of June 2008. DAVID MEAD, General Manager, Port Macquarie – Hastings Council, corner Lord and Burrawan Streets, Port Macquarie, N.S.W., 2444.

SCHEDULE 1

Lot 6 DP1094444.

SCHEDULE 2

Easement to drain water marked (A) shown on DP1094444. [3965]

WARRUMBUNGLE SHIRE COUNCIL

Local Government Act 1993

Land Acquisition (Just Terms Compensation) Act 1991

Notice of Compulsory Acquisition of Land

WARRUMBUNGLE SHIRE COUNCIL declares with the approval of Her Excellency the Governor, that the land described below excluding any mines or deposits of minerals in those lands, is acquired by compulsory process in accordance with the provision of the Land Acquisition (Just Terms Compensation) Act 1991, for the purpose of tourism development and resale. Dated at Coonabarabran, this 20th day of March 2008. ROBERT J. GERAGHTY, General Manager, Warrumbungle Shire Council, PO Box 191, Coonabarabran NSW 2357.

SCHEDULE

Lot 131, DP 728787. [3966]

WILLOUGHBY CITY COUNCIL

Roads Act 1993, Section 162

Naming of Public Road

NOTICE is hereby given that Council in pursuant of section 162 of the Roads Act 1993 has named the sections of road prescribed herein under as:

<i>Lane</i>	<i>Name</i>	<i>Location</i>
Lane W9	Bucknall Lane	From Henry Lane to Lawson Lane Naremburn
Lane W10	Furnedge Lane	From Henry Lane to Lawson Lane Naremburn
Lane W12	Kershaw Lane	Between Willoughby Rd and Wheatleigh St Naremburn
Lane W13	Hutton Lane	From Dalleys Rd to Northcote St Naremburn
Lane W15	Broome Lane	From Dodds Street to Freeway Naremburn
Lane W16	Swann Lane	From Slade St to freeway Naremburn
Lane W17	Carden Lane	From Central St to Probate St Naremburn
Lane W18	Carden Lane	From Probate St (eastwards) Naremburn
Lane W19	Barnes Lane	From Lane W17 (Carden Lane) Northwards Naremburn
Lane W21	Broomham Lane	From High St to Neville St Nth Willoughby
Lane W23	Twemlow Lane	From Coolawin Rd eastwards to foreshore Northbridge
Lane W24	Peebles Lane	From Harwood S to Haig St Chatswood
Lane W25	East Lane	Off Haig St (southerly) Chatswood
Lane W27	Warrah Lane	From Penshurst St to Warrah St Chatswood
Lane W30	Sparkes Lane	From Barambah Rd to Barcoo St Roseville
Lane W32	Shelley Lane	From Darling St to Dowel St Chatswood
Lane W33	Shelley Lane	From Dowel St to Macquarie St Chatswood
Lane W34	Millbank Lane	From Darling St to Dowel St (north) Chatswood
Lane W35	Millbank Lane	From Dowel St to Macquarie St Chatswood
Lane W36	Boronia Lane	From Lane W32 to Lane W34 (Shelley to Millbank) Chatswood
Lane W37	Bottlebrush Lane	From Lane W33 to Lane W35 (Shelley to Millbank) Chatswood
Lane W42	Koala Lane	From Archer St to Spearman St Chatswood
Lane W44	Quinn Lane	From Archer St to Gibson Ave Roseville
Lane W45	Nichols Lane	From Archer St to Anderson St between Ashley & Violet Sts Chatswood
Lane W49	Renshaw lane	From Kameruka Rd to Naruka Rd Northbridge
Lane W50	McKenzie Lane	From Courallie Rd to Coorabin Rd Northbridge
Lane W51	Wagschall Lane	From Namoi Rd to Woonona Rd Northbridge
Lane W53	Mason Lane	From Namoi Rd to Woonona Rd, opposite Roche Lane Northbridge
Lane W56	Bennell Lane	From Baringa Rd to Baroona Rd Northbridge
Lane W68	Mulholland Lane	From Calbina Rd to Cliff Ave Northbridge
Lane W69	Timms Lane	Off Harden Ave eastwards Northbridge
Lane W70	Garrick Lane	Off Harden Ave (westwards) Northbridge
Lane W72	Vincent Lane	From Baldry St eastwards Chatswood
Lane W73	Vincent Lane	From Baldry St westwards Chatswood
Lane W77	Schultz Lane	From Northcote St to Henry Lane Naremburn
Lane W78	Corbett Lane	From Northcote St to Mitchell St Naremburn
Lane W80	Medlands Lane	From Talus St to Talus St Reserve Naremburn
Lane W81	Wilkie Lane	From Baldry St westwards near Nicholson St
Lane W82	Crowley Lane	From Nolan Crs to proposed Burke Lane (Lane W84) Naremburn
Lane W84	Burke Lane	From Station St to Waters Rd Naremburn
Lane W96	Mathews Lane	From Abbott St to Thompson Park Artarmon
Lane W102	Butchers Lane	From Reserve Rd to Freeway between Milner & Barton Rds Artarmon
Lane W106	Clifford Lane	From Rosewall St southwards at rear of High St properties Nth Willoughby
Lane W107	Florance Lane	From Laurel St northwards at rear of Penshurst St properties Nth Willoughby
Lane W110	Adamson Lane	From Hudson Ave to Harris St Willoughby
Lane W111	Elliott Lane	From proposed Adamson Lane (W110) eastwards to rear of Chiltern Rd Willoughby
Lane W112	Josephson Lane	From Harris Street southwards at rear of Willoughby Rd properties Willoughby
Lane W114	Osborn Lane	From Harris Lane eastwards to rear of Frenchs Rd properties Willoughby
Lane W115	Iceworks Lane	From Alexander Avenue to McClelland St Nth Willoughby
Lane W116	Mary Lane	From Forsyth St north-westerly at rear of Penshurst St properties Nth Willoughby

Lane W117	Haron Lane	From Lea Ave northwards at rear of Penshurst St properties Nth Willoughby
Lane W121	Daniel Murphy Lane	From Mowbray Rd to Stephen St Willoughby
Lane W125	Faunce Lane	From Bongalong St to Willoughby Rd Naremburn
Lane W127	Charlotte Lane	From Anderson St South eastwards at rear of Victoria Ave properties Chatswood
Lane W131	Seldon Lane	From Orchard Rd to the railway line Chatswood
Lane W133	Nerlinga Lane	From Artarmon Rd to Tindale Rd Artarmon
Lane W134	Valetta Lane	From Brand St to rear of Wilkes Ave parallel to railway Line Artarmon
Lane W135	Federation Lane	From Elizabeth St to proposed Valetta Lane (W134) Artarmon
Lane W136	Wilkie Lane	From Baldry St eastwards near Nicholson St Chatswood
Lane W140	Garage Lane	From Hampden Rd to Hampden Lane Artarmon
Lane W141	Barham Lane	From Robert St to Hampden Lane Artarmon
Lane W142	Hammond Lane	From Gordon Ave Northwards at rear of Pacific Hwy properties Chatswood
Lane W143	Hammond Lane	From Gordon Ave Southwards at rear of Pacific Hwy properties Chatswood
Lane W144	Crispe Lane	From Albert Ave to Ellis St Chatswood
Lane W 146	Leplastrier Lane	From Pacific Hwy to View St Chatswood
Lane W147	Leplastrier Lane	From View Lane to View St Chatswood
Lane W150	Eldora Lane	From Edgar St westwards Chatswood
Lane W156	Ball Lane	From Culgoa St eastwards at rear of Fullers Rd properties Chatswood West
Lane W162	Terminus Lane	Off Penshurst St northwest of Victoria Ave Chatswood
Lane W163	Power Lane	From Penshurst St eastwards at rear of Victoria Ave properties Chatswood
Lane W170	Holmes Lane	From Moriarty Rd northwards at rear of Pacific Hwy properties Chatswood West
Roche	Roche Lane	East from Woonona Rd Northbridge

Authorised by resolution of Council dated 12 May 2008. N Tobin, General Manager, Willoughby City Council, PO Box 57, Chatswood NSW 2057.

[3967]

YASS VALLEY COUNCIL

Roads Act 1993, Section 162

Naming of Public Roads

NOTICE is hereby given that Yass Valley Council, pursuant to the abovementioned Act, has named the following roads located within Yass Valley Council. DAVID ROWE, Acting General Manager, Yass Valley Council, PO Box 6, Yass, NSW, 2582.

<i>Description</i>	<i>Name</i>
Unnamed road off Shingle Hill Way, running south-east from Lot A, DP 33355.	Brooks Creek Lane
Unnamed road off Brooks Creek Lane, running north from Lot 10, DP 1022658	Chambers Lane
Unnamed road off Shingle Hill Way, running north from Lot 105, DP 804588 to Federal Highway at Lot 7, DP 1016181.	Hadlow Drive
Unnamed road off Hadlow Drive, running north from Lot 1, DP 135797.	Ridge Road
Unnamed road off Ridge Road, running west from Lot 64, DP 754906.	Nerrin Lane
Unnamed road off Ridge Road, running west from Lot 8, DP 754891.	Snows Lane
Unnamed road formerly part Tallagandra Lane, off Tallagandra Lane running west from Lot 1, DP 787542.	Westmead Lane
Unnamed road formerly part Tallagandra Lane, off Tallagandra Lane running south-west from Lot 3, DP 1022222.	Casey Close
Unnamed road off Tallagandra Lane, running north-east from Lot 5, DP 1086437.	Kiaora Lane
Unnamed road off Rosamel Street, running north-east from Lot 1, Section 1, DP 758488 to Council Boundary.	Marked Tree Road
Unnamed road off Marked Tree Road, running north from Pt Lot 74, DP 754883.	Wurrungul Lane
Unnamed road off Marked Tree Road, running west from Lot 1, DP 859401.	Beralston Road
Unnamed road formerly part McIntosh Circuit, from Lot 14, DP 253934, McIntosh Circuit to South Street at Lot 1, DP 70508.	Vine Close
Unnamed road off McIntosh Circuit, running south from Lot 1, DP 1079803.	Middletons Lane
Unnamed road off McIntosh Circuit, running south-west from Lot 3, DP 243900.	Scrubby Lane
Unnamed road off Yass Valley Way, running south-east from Lot 5, DP 236375.	Dog Trap Road
Unnamed road off Dog Trap Road, running north-east from Lot 1, DP 632603 to McIntosh Circuit at Lot 31, DP 270197.	Isabel Drive
Unnamed road off Isabel Drive, running north-west from Lot 2, DP 830437.	Woods Close

<i>Description</i>	<i>Name</i>
Unnamed road off Dog Trap Road, running south-east from Pt Lot 23, DP 754884.	Kirkton Road
Unnamed road off Dog Trap Road, running west from Lot 191, DP 754885.	Connells Lane
Unnamed road off Connells Lane, running south from Lot 6, DP 845104.	Blue Hills Lane
Unnamed road off Dog Trap Road, running south-west from Lot 3, DP 701887.	Yeumburra Road
Unnamed road off Yeumburra Road, running south-east from Lot 1, DP 1091096.	Bimbiang Lane
Unnamed road off Dog Trap road, running east from Lot 44, DP 754885.	Magennis Drive
Unnamed road off Dog Trap Road, running south-east from Lot 138, DP 754885.	Clarkes Road
Unnamed road off Dog Trap Road, running south-east from Lot 3, DP 589378 to Barton Highway at Lot 8, DP 702319.	Kaveney's Road
Unnamed road off Rolfe Road, running west from Lot 1, DP 522048.	Blundell Road
Unnamed road off Barton Highway, running north-west from Lot 4, DP 817135.	Church Lane
Unnamed road off Barton Highway, running north-west from Lot 1, DP 554163.	Boundary Lane
Unnamed road off Barton Highway, running south-east from Lot 2, DP 559993.	Briarwood Lane
Unnamed road off Barton Highway, running south-east from Lot 6, DP 702319.	Anchow Hill Lane
Unnamed road off Barton Highway, running south-east from Lot 93, DP 754868.	Mundays Lane
Unnamed road off Barton Highway, running north-west from Lot 6, DP 702401.	Casuarina Lane
Unnamed road off Barton Highway, running east from Lot 101, DP 705868.	Gooda Creek Road
Unnamed road off Gooda Creek Road, running north-east from Lot 161, DP 754868.	Bluebell Lane
Unnamed road off Gooda Creek Road, running north from Lot 1, DP 811432.	Goldfields Lane
Unnamed road off Barton Highway, running north-east from Lot 1, DP 846642.	Gounyan Road
Unnamed road off Greenwood Road, running south-east from Lot 3, DP 559808.	Keirs Road
Unnamed road off Keirs Road, running north-east from Lot 114, DP 754899.	Butts Road
Unnamed road off Butts Road, running west from Lot 2, DP 861740.	Englands Lane
Unnamed road off Murrumbateman Road, running south from Lot 4, DP 237676.	Crisps Lane

<i>Description</i>	<i>Name</i>
Unnamed road off Murrumbateman Road, running south-west from Lot 267, DP 754900.	Bushs Lane
Unnamed road off Murrumbateman Road, running north from Lot 83, DP 754908.	Noyes Lane
Unnamed road off Murrumbatemen Road, running south-west from Lot 22, DP 248413.	Patemans Lane
Unnamed road off Patemans Lane, running west from Lot 20, DP 248413.	Turton Place
Unnamed road off Patemans Lane, running north-west from Lot 14, DP 248413 to Barton Highway at Lot 7, DP 854334.	Euroka Avenue
Unnamed road off Euroka Avenue, running south-west from Lot 8, DP 248413.	Ramsey Road
Unnamed road off Ramsey Road, running north-west from Lot 2, DP 1025037.	Ryslipp Drive
Unnamed road off Barton Highway, running north-east from Lot 5, DP 264636 to Nanima Road at Lot 3, DP 881441.	Spring Range Road
Unnamed road off Spring Range Road, running north from Lot 11, DP 1041122.	Lucas Road
Unnamed road off Spring Range Road, running east from Lot 1, DP 791704.	Allen Road
Unnamed road off Spring Range Road, running west from Lot 2, DP 730170.	Fairview Road
Unnamed road off Spring Range Road, running north-east from Lot 1, DP 606522.	Carrington Road
Unnamed road off Nanima Road, running east from Lot 3, DP 868659.	Pinebark Lane
Unnamed road off Nanima Road, running west From Lot 236, DP 754880.	Johnston Road
Unnamed road off Nanima Road, running east from Lot 3, DP 1041945.	Glencoe Road
Unnamed road off Mulligans Flat Road, running north from Lot 187, DP 754882.	Ironbark Lane
Unnamed road off Mulligans Flat Road, running south from Lot 20, DP 249946.	Read Road
Unnamed road off Mulligans Flat Road, running north from Lot 1, DP 1100094.	Duke Road
Unnamed Road off Sutton Road, running west from Lot 18, DP 243172.	Vaughan Drive
Unnamed road off Vaughan Drive, running north and south-west from Lot 6, DP 243172.	Darmody Place
Unnamed road off Sutton Road, running west from Lot 2, DP 817831.	Browns Lane
Unnamed road off Rosamel Street, running south from Lot 1, Section 14, DP 758488.	Dairy Creek Road
Unnamed road off Guise Street, running south-west from Lot 196, DP 754882.	Majura Lane

<i>Description</i>	<i>Name</i>
Unnamed road off Majura Lane, running north-west from Lot 1, DP 259025.	Alfred Road
Unnamed road off Federal Highway, running north from Lot 123 DP 878557.	McKeahnie Lane
Unnamed road, formerly part of Federal Highway, off Federal Highway, running north-east from Pt Lot 7, DP 232834 to Shingle Hill Way at Lot 196, DP 754882.	Old Federal Highway
Unnamed road off Old Federal Highway, running north-west from Lot 2, DP 248425.	Shepherd Road
Unnamed road off Old Federal Highway, running north-west from Lot 2, DP 239436.	Wickes Road
Unnamed road off Gundaroo Road, running east from Lot 1, DP 875426.	Kerrick Lane
Unnamed road off Gundaroo Road, running west from Lot 2, DP 709637.	Baines Road
Unnamed road off Gundaroo Road, running west then north to south from Lot 1, DP 709637.	Wells Place
Unnamed road off Gundaroo Road, running north-west from Lot 1, DP 1122713.	Lawtons Road
Unnamed road formerly part of Federal Highway running north-east from Lot 3, DP 754891 to Lot 221, DP 853661.	The Vineyards Road
Unnamed road off Yass Valley Way, running south-east from Lot 100, DP 1085452 to Gundaroo Road at Lot 4, DP 708530.	Yass River Road
Unnamed road off Yass Valley Way, running south-west from Lot 52, DP 806866.	Old Gap Road
Unnamed road off Old Gap Road, running south from Lot 102, DP 754128 to Yass River Road, at Lot 83, DP 1120527.	Manton Road
Unnamed road of Yass River Road, running north from Lot 7001, DP 96221.	Berrebangelo Road
Unnamed road off Yass River Road, running west from Lot 2, DP 539837.	Corregans Road
Unnamed road off Yass River Road, running south from Lot 4, DP 859632.	Johnson Road
Unnamed road off Yass River Road, running south-east from Lot 14, DP 754911 to Sutton Road at Lot 1, DP 882614.	Back Creek Road
Unnamed road off Back Creek Road, running north-west from Lot 1, DP 1007646.	Lees Road
Unnamed road off Back Creek Road, running north from Lot 1, DP 712961.	Sibley Road
Unnamed road off Murrumbateman Road, running north-east from Lot 4, DP 849255 to Yass River Road at Lot 111, DP 754911.	Dicks Creek Road
Unnamed road off Dicks Creek Road, running north-west from Lot 14, DP 1073101.	Boutchers Drive

<i>Description</i>	<i>Name</i>
Unnamed road off Butchers Drive, running north-east from Lot 1, DP 1041157 to Greenwood Road at Lot 2, DP 1007247.	Butchers Lane
Unnamed road off Dicks Creek Road, running south-west from Lot 228, DP 754911.	Whites Road
Unnamed road off Dicks Creek Road, running north-west from Lot 97, DP 754911.	Mountainvale Road
Unnamed road off Mountain Vale Road, running west from Lot 16, DP 839986.	John Jobbins Road
Unnamed road off Hume Highway, running north from Lot 21, DP 806867.	Reardons Road
Unnamed road off Yass Valley Way, running north-east from Lot 2, DP 1022968 to Cooks Hill Road at Lot 31, DP 804567.	Faulder Avenue
Unnamed road off the corner of Orion & Hovell from Lot 7008, DP 1030448 to Council Boundary.	Coolalie Road
Unnamed road off Coolalie Road, running north from Lot 2, DP 1060403.	Coolalie Siding Road
Unnamed road off Coolalie Road, running north from Lot 3, DP 1083997.	Bango Lane
Unnamed road off Coolalie Road, running north-east from Pt Lot 21, DP 754122.	Bushs Road
Unnamed road off Bushs Road, running west from Pt Lot 42, DP 754122.	Days Road
Unnamed road off Morton Avenue, running north-east from Lot 2, DP 573683 to Coolalie Road at Lot 213, DP 754149.	Hardwick Lane
Unnamed road off Hardwick Lane, running east from Lot 51, DP 1086362 to Yass Valley Way at Lot 52, DP 806866.	Lucernvale Road
Unnamed road off Yass Valley Way, running north from Lot 51, DP 1035230 to Council Boundary.	Wargeila Road
Unnamed road off Wargeila Road, running north-west from Lot 101, DP 10151129.	Laverstock Road
Unnamed road off Wargeila Road, running west from Lot 127, DP 754112.	Buggali Road
Unnamed road off Wargeila Road, running west from Lot 105, DP 754149.	O'Briens Lane
Unnamed road off Wargeila Road, running east from Lot 2, DP 1074516.	Zouch Road
Unnamed road off Laverstock Road running east from Lot 1, DP 1015724 to Wargeila Road at Lot 159, DP 754112.	Davis Lane
Unnamed road off Wargeila Road, running north-east from Lot 2, DP 877572.	Fairy Hole Road
Unnamed road off Montem Street, running north-east from Lot 1, DP 814398 to Laverstock Road at Lot 181, DP 754112.	Walls Junction Road

<i>Description</i>	<i>Name</i>
Unnamed road off Bowning Road, running south from Lot 18, Section 8, DP 758149.	Minehan Lane
Unnamed road off Walls Junction Road, running north from Lot 136, DP 753596.	Stadmillers Lane
Unnamed road off Lachlan Valley Way, running north-east from Lot 3, DP 1097527 to Laverstock Road at Lot 229, DP 754109.	Moorbys Lane
Unnamed road off Lachlan Valley Way, running east from Lot 7008, DP 1026232.	Kangiara Road
Unnamed road off Tangmangaroo Road, running east from Lot 1, DP 240710.	Drews Road
Unnamed road off Hughstonia Road, running south-east from Lot 2, DP 790787 to Lachlan Valley Way at Lot 2, DP 1043713.	Bendenine Road
Unnamed road off Bendenine Road, running south-east from Lot 91, DP 753613 to Lachlan Valley Way at Pt Lot 247, DP 754112.	Bendenine Stock Road
Unnamed road off Bendenine Road, running north-west from Lot 27, DP 753613.	White Flag Road
Unnamed road off Burley Griffin Way, running north-east from Lot 7, Section 4, DP 7942.	Goondah Road
Unnamed road off Russell Street, running north-west from Lot 358, DP 753591.	Armours Road
Unnamed road off Hughstonia Road, running east from Lot 224, DP 753591.	Arabins Lane
Unnamed road off Hughstonia Road, running east from Lot 347, DP 753591.	Lagoons Road
Unnamed road off Hughstonia Road, running north-west from Lot 116, DP 753613.	Cherryvale Road
Unnamed road off Hughstonia Road, running south-east from Lot 125, DP 753613.	Crossleys Road
Unnamed road off Hughstonia Road, running north-east from Lot 99, DP 753613.	Sargents Road
Unnamed road off Burley Griffin Way, running north-west from Lot 5, DP 877686 to Council Boundary.	Bobbara Road
Unnamed road off Cattle Street, running west from Lot 307, DP 753591 to Council Boundary.	Garryowen Road
Unnamed road off Manning Street, running south-west from Lot 3, DP 535022 (formerly Talmo Street) to Lot 3, Section 7, DP 758109 then north to Lot 168, DP 753591 (Part Wellington Road) then south-west.	Sykes Road
Unnamed road off Sykes Road, running south-west from Lot 1, DP 1018849 to Cattle Street at Lot 391, DP 257128.	Cemetery Road
Unnamed road off Henderson Lane, running south-east from Lot 21, DP 870125.	Pattersons Lane
Unnamed road off Illalong Road, running north-east from Lot 326, DP 753595.	Campbells Road

<i>Description</i>	<i>Name</i>
Unnamed road off Hume Highway, running north-west from Lot 3, DP 253853 to Council Boundary.	Whitefields Lane
Unnamed road off Hume Highway, running south from Lot 1, DP 253853.	Robinsons Road
Unnamed road off Fagan Drive, running south-west from Lot 7011, DP 1065569.	Childowla Road
Unnamed road off Childowla Road, running south-east from Lot 17, DP 1115727.	Talmo Road
Unnamed road off Childowla Road, running west from Lot 215, DP 753629.	Nanangroe Road
Unnamed road off Burrinjuck Road, running south-east from Lot 10, DP 753595.	Sutton Grange Road
Unnamed road off Burrinjuck Road, running south-east from Lot 37, DP 753598.	Waterview Road
Unnamed road off Burrinjuck Road, running north-east from Lot 83, DP 753633.	Woolgarlo Road
Unnamed road off Hume Highway, running south-west from Lot 1, DP 842644 to Woolgarlo Road at Lot 84, DP 753633.	Black Range Road
Unnamed road off Hume Highway, running south-west from Lot 10, DP 246893 to Black Range Road at Lot 102, DP 1095526.	Common Road
Unnamed road off Black Range Road, running south from Lot 203, DP 553596.	Turtons Road
Unnamed road off Hume Highway, running south-west from Lot 14, DP 246892.	Cemetery Road
Unnamed road off Hume Highway, running south from Lot 318, DP 655498.	Graces Flat Road
Unnamed road off Hume Highway, running south-east from Lot 115, DP 876302.	Paynes Road
Unnamed road off Wee Jasper Road, running south-west from Lot 6, DP 15756.	Good Hope Road
Unnamed road off Good Hope Road, running north-west from Lot 6, DP 15756.	Wades Road
Unnamed road off Good Hope Road, running north-west from Lot 7, DP 589742.	Euralie Road
Unnamed road off Good Hope Road, running north-west from Lot 2, DP 1102384.	Glenroy Road
Unnamed road off Good Hope Road, running north-west from Lot 2, DP 573641.	Fifeshire Road
Unnamed road off Hume Park Road, running south-east from Lot 1, DP 1035426.	Patmores Road
Unnamed road off Wee Jasper Road, running south from Lot 1, DP 995554.	Gums Lane
Unnamed road off Gums Lane, running south-west from Lot 4, DP 558135.	Hearnes Road
Unnamed road off Gums Lane, running north-east from Lot 2, DP 1108067 to Barton Highway at Lot 2, DP 1125716.	Longrail Gully Road

<i>Description</i>	<i>Name</i>
Unnamed road off Wee Jasper Road, running south-east from Lot 21, DP 1026066.	Boambolo Road
Unnamed road off Wee Jasper Road, running north-west from Lot N, DP 179896.	Bloomfield Road
Unnamed road off Wee Jasper Road, running east from Pt Lot 85, DP 751807.	Cavan Road
Unnamed road off Cavan Road, running north-east from Lot 7005, DP 1058540.	Glenbower Road
Unnamed road off Cavan Road, running south-east from Lot 3, DP 618585.	Esdale Road
Unnamed road off Wee Jasper Road, running south from Lot 6, DP 1119206 to ACT Border.	Mountain Creek Road
Unnamed road off Mountain Creek Road, running north-east from Lot 203, DP 751834 to Cavan Road at Lot 56, DP 751807.	Glenrock Road
Unnamed road off Mountain Creek Road, running south-west from Lot 44, DP 751834.	Ledgers Creek Road
Unnamed road off Ledgers Creek Road, running north-west from Lot 2, DP 562257.	Scorgies Road
Unnamed road off Mountain Creek Road, running east from Lot 52, DP 751835 to ACT Border.	Fairlight Road
Unnamed road from ACT border, running north-west from Lot 2, DP 1032871.	Two Sticks Road
Unnamed road off Wee Jasper Road, running north from Lot 1, DP 524883.	Old Taemas Road
Unnamed road off Wee Jasper Road, running south-east from Lot 86, DP 751831 to Mountain Creek Road at Lot 21, DP 751834.	Sawyers Gully Road
Unnamed road off Wee Jasper Road, running north-west from Lot 1, DP 75582.	Longleys Road
Unnamed road off Wee Jasper Road, running south-east from Lot 14, DP 751814 to Mountain Creek Road at Lot 1, DP 456896.	Doctors Flat Road
Unnamed road off Wee Jasper Road, running south-east from Lot 7005, DP 96190.	Coodravale Road
Unnamed road off Wee Jasper Road, running north from Lot 91, DP 751002.	Caves Road
Unnamed road off Wee Jasper Road, running south-west from Lot 2, DP 255410.	Beveridge Street
Unnamed road off Beveridge Street, running south-west from Lot 5, DP 255410.	Dutton Place
Unnamed road off Wee Jasper Road, running south-west from Lot 10, DP 255410.	Williams Place
Unnamed road off Williams Place, running south-west from Lot 2, DP 706118.	McDonald Place
Unnamed road off Wee Jasper Road, running south from Lot 7010, DP 1058209 to Council Boundary.	Nottingham Road
Unnamed road off Wee Jasper Road, running north-east from Lot 2, DP 774922.	Grahams Road

<i>Description</i>	<i>Name</i>
Unnamed road from ACT Border, running north-west from Lot 2, DP 1105559.	Walleroo Road
Unnamed road off Wallaroo Road, running south-west from Lot 12, DP 248210 to Southwell Road at Lot 12, DP 244865.	Gooroomon Ponds Road
Unnamed road off Wallaroo Road, running south from Lot 1, DP 865396 to Gooroomon Ponds Road at Lot 7, DP 754914.	Southwell Road
Unnamed road off Southwell Road, running north-west from Lot 2, DP 858593.	Brooklands Road
Unnamed road off Brooklands Road, running south-west from Lot 200, DP 1104393.	Woodgrove Close
Unnamed road off Wallaroo Road, running north from Lot 96, DP 754914.	Woodburn Lane
Unnamed road off Wallaroo Road, running north-east from Lot 21, DP 835890.	Captains Hill Road
Unnamed road off Wallaroo Road, running north-west from Lot 6, DP 246507.	Oakey Creek Road
Unnamed road off Oakey Creek Road, running north-east from Lot 4, DP 246507.	Coulton Road
Unnamed road off Oakey Creek Road, running north-east from Lot 13, DP 250770.	Rochford Road
Unnamed road off Wallaroo Road, running south-west from Lot 26, DP 253616.	Holmwood Road
Unnamed road off Wallaroo Road, running south-west from Lot 1, DP 596565.	River Bend Road
Unnamed road off Wallaroo Road, running west from Lot 11, DP 253616.	McCarthy Road
Unnamed road from ACT Border, running north-west from Lot 1, DP 771051.	Parkwood Road

[3968]

YASS VALLEY COUNCIL

Roads Act 1993, Section 162

Roads Re-Naming

NOTICE is hereby given that Yass Valley Council, pursuant to the abovementioned Act, has re-named the following roads located within Yass Valley Council. DAVID ROWE, Acting General Manager, Yass Valley Council, PO Box 6, Yass, NSW, 2582.

<i>Current Road Name</i>	<i>New Road Name</i>	<i>Location</i>
Gundaroo Road	Mulligans Flat Road	From Sutton Road to ACT Border.
Sutton Road	Sutton Road	From Cork Street, Gundaroo south to Camp Street, Sutton then from Bywong Street, Sutton south to Federal Highway.
Sutton Road	Gundaroo Road	From Cork Street, Gundaroo north to Hume Highway.
West Tallagandra Lane	Tallagandra Lane	From Sutton Road to Murrumbateman Road.
Lumsden Lane	Larson Lane	From Morton Avenue to Lot 8 DP 285983.

[3969]

ISSN 0155-6320

Authorised to be printed
DENIS H. HELM, Government Printer.