



Government Gazette

OF THE STATE OF
NEW SOUTH WALES

Number 78
Friday, 27 July 2012

Published under authority by Department of Premier and Cabinet

LEGISLATION

Online notification of the making of statutory instruments

Week beginning 16 July 2012

THE following instruments were officially notified on the NSW legislation website (www.legislation.nsw.gov.au) on the dates indicated:

Regulations and other statutory instruments

[Births, Deaths and Marriages Registration Amendment \(Fees\) Regulation 2012 \(2012-327\)](#) — published LW 20 July 2012

[Dust Diseases Tribunal Amendment \(Fees\) Regulation 2012 \(2012-328\)](#) — published LW 20 July 2012

[Electronic Transactions Regulation 2012 \(2012-329\)](#) — published LW 20 July 2012

[Evidence \(Audio and Audio Visual Links\) Amendment \(Bail Matters\) Regulation 2012 \(2012-330\)](#) — published LW 20 July 2012

Environmental Planning Instruments

[Albury Local Environmental Plan 2010 \(Amendment No 6\) \(2012-331\)](#) — published LW 20 July 2012

[Carrathool Local Environmental Plan 2012 \(2012-332\)](#) — published LW 20 July 2012

[Eurobodalla Local Environmental Plan 2012 \(2012-333\)](#) — published LW 20 July 2012

[Fairfield Local Environmental Plan 1994 \(Amendment No 128\) \(2012-334\)](#) — published LW 20 July 2012

[Wagga Wagga Local Environmental Plan 2010 \(Amendment No 2\) \(2012-335\)](#) — published LW 20 July 2012

OFFICIAL NOTICES

Appointments

COMMUNITY RELATIONS COMMISSION AND PRINCIPLES OF MULTICULTURALISM ACT 2000

Appointment of Part-Time Commissioners

HER Excellency the Governor, with the advice of the Executive Council and pursuant to section 7 of the Community Relations Commission and Principles of Multiculturalism Act 2000, has appointed the following persons as part-time commissioners of the Community Relations Commission for terms as shown:

Ms Dai LE for a term of three years from 1 August 2012;

Ms Angelique RISTWEJ for a term of three years from 1 August 2012

and the re-appointment of:

Mr Jihad Dib for a term of three years from 1 August 2012.

The Hon. VICTOR DOMINELLO, M.P.,
Minister for Citizenship and Communities

CONSTITUTION ACT 1902

Ministerial Arrangements during the Absence from Duty of the Premier and Minister for Western Sydney

PURSUANT to section 36 of the Constitution Act 1902, Her Excellency the Governor, with the advice of the Executive Council, has authorised the Honourable A. J. STONER, M.P., Deputy Premier, Minister for Trade and Investment and Minister for Regional Infrastructure and Services, to act for and on behalf of the Premier and that the Honourable V. M. DOMINELLO, M.P., Minister for Citizenship and Communities and Minister for Aboriginal Affairs, to act for and on behalf of the Minister for Western Sydney, as on and from 29 July 2012, with a view to them performing the duties of the offices of the Premier, and Minister for Western Sydney respectively during my absence from duty.

BARRY O'FARRELL, M.P.,
Premier

Department of Premier and Cabinet, Sydney.
25 July 2012.

CONSTITUTION ACT 1902

Ministerial Arrangements during the Absence of the Minister for Transport

PURSUANT to section 36 of the Constitution Act 1902, Her Excellency the Governor, with the advice of the Executive Council, has authorised the Honourable D. J. GAY, M.L.C., Minister for Roads and Ports to act for and on behalf of the Minister for Transport, on and from 31 July 2012, with a view to his performing the duties of the Honourable G. BEREJIKLIAN, M.P., during her absence from duty.

BARRY O'FARRELL, M.P.,
Premier

Department of Premier and Cabinet, Sydney.
25 July 2012.

CONSTITUTION ACT 1902

Ministerial Arrangements during the Absence of the Minister for the Environment and Minister for Heritage
PURSUANT to section 36 of the Constitution Act 1902, Her Excellency the Governor, with the advice of the Executive Council, has authorised the Honourable D. PAGE, M.P., Minister for Local Government and Minister for the North Coast to act for and on behalf of the Minister for Environment and Minister for Heritage, on and from 30 July 2012, with a view to his performing the duties of the Honourable R. PARKER, M.P., during her absence from duty.

BARRY O'FARRELL, M.P.,
Premier

Department of Premier and Cabinet, Sydney.
25 July 2012.

GOVERNMENT TELECOMMUNICATIONS ACT 1991

Appointment of Chairperson and Members Board of the New South Wales Government Telecommunications Authority

HIS Excellency the Lieutenant Governor, with the advice of the Executive Council, has approved, pursuant to section 32 of the Government Telecommunications Act 1991, the appointment of Mr Rodney GILMOUR as Chairperson and the following as members of the Board of New South Wales Government Telecommunications Authority:

Mr Shane FITZSIMMONS,

Mr Gavin CAMPBELL,

Mr David ABRAHAMS,

Mr Matthew ROBERTS and

Mr Alan LIPMAN.

The appointments are for a two year term from the date of the Lieutenant Governor's approval.

His Excellency the Lieutenant Governor, with the advice of the Executive Council, gave approval of the nominations on 26 April 2012.

The Hon. GREG PEARCE, M.L.C.,
Minister for Finance and Services

THE UNIVERSITY OF NEW SOUTH WALES ACT 1989

Notification of Appointment to the Council

I, ADRIAN PICCOLI, M.P., Minister for Education appoint the following persons as members of the Council of the University of New South Wales for terms of office commencing on 1 July 2012 and expiring on 30 June 2016:

Mr Brian LONG and

Ms Jillian SEGAL, AM.

These appointments are made under incoming section 8G(1) of the University of New South Wales Act 1989, effective from 1 July 2012.

ADRIAN PICCOLI, M.P.,
Minister for Education

Department of Planning

ENVIRONMENTAL PLANNING AND ASSESSMENT ACT, 1979

Instrument of Delegation

I, the Minister for Planning and Infrastructure, under section 23 of the Environmental Planning and Assessment Act 1979 (the Act):

1. revoke the previous delegation of my powers and functions the subject of the Instrument of Delegation dated 23 February 2012, and
2. delegate the powers and functions listed in Column 2 of Schedule 1 to this Instrument (and any functions under the Act or any other Act as are incidental or related to the exercise of those functions), in relation to applications and requests specified in Column 3 of Schedule 1 to this Instrument, to the persons holding the positions listed in Column 4 of Schedule 1 to this Instrument.

SCHEDULE 1

<i>Column 1</i>	<i>Column 2</i>	<i>Column 3</i>	<i>Column 4</i>
1	<p>Approving or disapproving the carrying out of a project application under section 75J of the Act (as continued in force by Schedule 6A to the Act).</p> <p>This delegation applies only to project applications where:</p> <ol style="list-style-type: none"> (a) a political disclosure statement has not been made, and (b) there are less than 25 public submissions in the nature of objections, and (c) the delegate, being a person in a position listed in column 4 of this item, forms the opinion that the project application if approved would be generally consistent with the approved Barangaroo Concept Plan (MP 06_0162) current at the time of determination, and (d) the delegate, being a person listed in column 4 of this item, forms the opinion that any submission made about the application by the Council of the City of Sydney has been considered in the assessment of the application. 	<p>Any application for approval of a project lodged before or after the date of this Instrument under Part 3A of the Act to carry out development on any land identified as the "Barangaroo Site" in State Environmental Planning Policy (Major Development) 2005 at the time the delegation is exercised.</p>	<ol style="list-style-type: none"> (a) Director-General (b) Deputy Director-General, Development Assessment and Systems Performance
2	<p>Determining a modification request under section 75W of the Act (as continued in force by Schedule 6A to the Act).</p> <p>This delegation applies only to modification requests where:</p> <ol style="list-style-type: none"> (a) a political disclosure statement has not been made, and (b) there are less than 25 public submissions in the nature of objections, and (c) the delegate, being a person in a position listed in column 4 of this item, forms the opinion that the approval if modified would be generally consistent with the approved Barangaroo Concept Plan (MP 06_0162) current at the time of determination, and (d) the delegate, being a person listed in column 4 of this item, forms the opinion that any submission made about the application by the Council of the City of Sydney has been considered in the assessment of the application. 	<p>Any request lodged before or after the date of this Instrument under section 75W of the Act for the Minister to modify an approval granted under section 75J of the Act to carry out development on any land identified as the "Barangaroo Site" in State Environmental Planning Policy (Major Development) 2005 at the time the delegation is exercised.</p>	<ol style="list-style-type: none"> (a) Director-General (b) Deputy Director-General, Development Assessment and Systems Performance

<i>Column 1</i>	<i>Column 2</i>	<i>Column 3</i>	<i>Column 4</i>
3	<p>Determining development applications under section 80 of the Act.</p> <p>This delegation applies only to development applications where:</p> <p>(a) a political disclosure statement has not been made, and</p> <p>(b) there are less than 25 public submissions in the nature of objections, and</p> <p>(c) the delegate, being a person in a position listed in column 4 of this item, forms the opinion that the development application if approved would be generally consistent with the Barangaroo Concept Plan (MP 06_0162) current at the time of determination, and</p> <p>(d) the delegate, being a person listed in column 4 of this item, forms the opinion that any submission made about the application by the Council of the City of Sydney has been considered in the assessment of the application.</p>	<p>Any development application lodged before or after the date of this Instrument under Part 4 of the Act for development on any land identified as the "Barangaroo Site" in State Environmental Planning Policy (Major Development) 2005 at the time the delegation is exercised.</p>	<p>(a) Director-General</p> <p>(b) Deputy Director-General, Development Assessment and Systems Performance</p>
4	<p>Determining modification applications under section 96 and 96AA of the Act.</p> <p>This delegation applies only to modification applications where:</p> <p>(a) a political disclosure statement has not been made, and</p> <p>(b) there are less than 25 public submissions in the nature of objections, and</p> <p>(c) the delegate, being a person in a position listed in column 4 of this item, forms the opinion that the development consent if modified would be generally consistent with the approved Barangaroo Concept Plan (MP 06_0162) current at the time of determination, and</p> <p>(d) the delegate, being a person listed in column 4 of this item, forms the opinion that any submission made about the application by the Council of the City of Sydney has been considered in the assessment of the application.</p>	<p>Any application lodged before or after the date of this Instrument under section 96 and 96AA of the Act for the Minister to modify a Part 4 development consent for development on any land identified as the "Barangaroo Site" in State Environmental Planning Policy (Major Development) 2005 at the time the delegation is exercised.</p>	<p>(a) Director-General</p> <p>(b) Deputy Director-General, Development Assessment and Systems Performance</p>

Dated at Sydney, this 18th day of April 2012.

The Hon. BRAD HAZZARD, M.P.,
Minister for Planning and Infrastructure

Roads and Maritime Services

ROAD TRANSPORT (GENERAL) ACT 2005

Notice under Clause 20 the Road Transport (Mass, Loading and Access) Regulation 2005

CONARGO SHIRE COUNCIL, in pursuance of Division 4 of Part 2 of the Road Transport (Mass, Loading, Access) Regulation 2005, by this Notice, specify the routes and areas on or in which 25 metre B-Doubles may be used subject to any requirements or conditions set out in the Schedule.

Date: 19 July 2012.

BARRY W. BARLOW,
General Manager,
Conargo Shire Council
(by delegation from the Minister for Roads)

SCHEDULE

1. Citation

This Notice may be cited as Conargo Shire Council 25 Metre B-Double Route Notice No. 2/2012.

2. Commencement

This Notice takes effect on the date of gazettal.

3. Effect

This Notice remains in force until 31 December 2012 unless it is amended or repealed earlier.

4. Application

This Notice applies to those 25 metre B-Double vehicles which comply with Schedule 1 of the Road Transport (Mass, Loading and Access) Regulation 2005 and Schedule 2 of the Road Transport (Vehicle Registration) Regulation 2007.

5. Routes

<i>Type</i>	<i>Road No.</i>	<i>Road Name</i>	<i>Starting Point</i>	<i>Finishing Point</i>	<i>Conditions</i>
25	MR296	Pretty Pine Road	Approximately 6.25Km east of Conargo Shire/Wakool Shire Boundary	Conargo Shire/Wakool Shire Boundary	Route approval re-assessed in December 2012

ROAD TRANSPORT (GENERAL) ACT 2005

Notice under Clause 20 of the Road Transport (Mass, Loading and Access) Regulation 2005

DUBBO CITY COUNCIL, in pursuance of Division 4 of Part 2 of the Road Transport (Mass, Loading, Access) Regulation 2005, by this Notice, specify the routes and areas on or in which Road Train Vehicles may be used subject to any requirements or conditions set out in the Schedule.

Dated: 23 July 2012.

MARK RILEY,
General Manager,
Dubbo City Council
(by delegation from the Minister for Roads)

SCHEDULE**1. Citation**

This Notice may be cited as Dubbo City Council Road Train Vehicle Route Notice No. 01/2012.

2. Commencement

This Notice takes effect on the date of gazettal.

3. Effect

This Notice remains in force until 30 June 2017, unless it is amended or repealed earlier.

4. Application

This Notice applies to those Road Train vehicles which comply with Schedule 1 of the Road Transport (Mass, Loading and Access) Regulation 2005 and Schedule 2 of the Road Transport (Vehicle Registration) Regulation 2007.

5. Routes

<i>Type</i>	<i>Road No</i>	<i>Road Name</i>	<i>Starting Point</i>	<i>Finishing Point</i>	<i>Conditions</i>
RT.	000.	Fitzroy Street, Dubbo.	Purvis Lane.	To Robinsons Grain Terminal.	No left turn restriction on exit to Purvis Lane.

ROAD TRANSPORT (GENERAL) ACT 2005

Notice under the Road Transport (Mass, Loading and Access) Regulation 2005

MOREE PLAINS SHIRE COUNCIL, in pursuance of the Road Transport (Mass, Loading, Access) Regulation 2005, makes the amendment in the Schedule to the routes and areas previously specified on or in which Road Train Vehicles may be used.

Dated: 23 July 2012.

DAVID ABER,
General Manager,
Moree Plains Shire Council
(by delegation from the Minister for Roads)

SCHEDULE

1. Citation

This Notice may be cited as the Moree Plains Shire Council Road Train Repeal Notice No. 02/2012.

2. Commencement

This Notice takes effect on the date of gazettal.

3. Amendment

Appendix 1, Class 2, Road Train notice 2012 is amended by omitting the following from that Notice:

<i>Type</i>	<i>Road No.</i>	<i>Road Name</i>	<i>Starting Point</i>	<i>Finishing Point</i>
RT.	000.	Frome Street, Moree.	Bridge Street.	Balo Street.
RT.	000.	Bridge Street, Moree.	Balo Street.	Frome Street.

ROAD TRANSPORT (GENERAL) ACT 2005

Notice under Clause 20 of the Road Transport (Mass, Loading and Access) Regulation 2005

TAMWORTH REGIONAL COUNCIL, in pursuance of Division 4 of Part 2 of the Road Transport (Mass, Loading, Access) Regulation 2005, by this Notice, specify the routes and areas on or in which 4.6 metre High Vehicles may be used subject to any requirements or conditions set out in the Schedule.

Dated: 11 July 2012.

PAUL BENNETT,
General Manager,
Tamworth Regional Council
(by delegation from the Minister for Roads)

SCHEDULE**1. Citation**

This Notice may be cited as Tamworth Regional Council) 4.6 Metre High Vehicle Route Notice No. 01/2012.

2. Commencement

This Notice takes effect on date of gazettal.

3. Effect

This Notice remains in force until 31 December 2012, unless it is amended or repealed earlier.

4. Application

This Notice applies to those 4.6 metre high vehicles which comply with Schedule 1 of the Road Transport (Mass, Loading and Access) Regulation 2005 and Schedule 2 of the Road Transport (Vehicle Registration) Regulation 2007.

5. Routes

<i>Type</i>	<i>Road Name</i>	<i>Starting Point</i>	<i>Finishing Point</i>
4.6.	Sandy Road, Kootingal.	New England Highway (HW 9).	49-55 Sandy Road, 2.3 kilometres east of HW 9.

ROAD TRANSPORT (GENERAL) ACT 2005

Notice under Clause 20 of the Road Transport (Mass, Loading and Access) Regulation 2005

TAMWORTH REGIONAL COUNCIL, in pursuance of Division 4 of Part 2 of the Road Transport (Mass, Loading, Access) Regulation 2005, by this Notice, specify the routes and areas on or in which 25 metre B-Doubles may be used subject to any requirements or conditions set out in the Schedule.

Dated: 23 July 2012.

PAUL BENNETT,
General Manager,
Tamworth Regional Council
(by delegation from the Minister for Roads)

SCHEDULE**1. Citation**

This Notice may be cited as Tamworth Regional Council 25 Metre B-Double Route Notice No. 5/2012.

2. Commencement

This Notice takes effect on date of gazettal.

3. Effect

This Notice remains in force until 1 September 2015, unless it is amended or repealed earlier.

4. Application

This Notice applies to those 25 metre B-Double vehicles which comply with Schedule 1 of the Road Transport (Mass, Loading and Access) Regulation 2005 and Schedule 2 of the Road Transport (Vehicle Registration) Regulation 2007.

5. Routes

<i>Type</i>	<i>Road No.</i>	<i>Road Name</i>	<i>Starting Point</i>	<i>Finishing Point</i>	<i>Conditions</i>
25m.	Nil.	Sandy Road, Kootingal.	New England Highway (HW 9).	49-55 Sandy Road, 2.3 kilometres east of HW 9.	Nil.

ROADS AND MARITIME SERVICES

Class 1 Agricultural Vehicles Notice 2012

I, Peter Duncan, Chief Executive, Roads and Maritime Services, pursuant to Clause 12 of the Road Transport (Mass, Loading and Access) Regulation 2005 (the "Regulation"), exempt vehicles to which this Notice applies from the mass and dimension requirements prescribed in Schedule 1 to the Regulation, subject to the conditions set out in the Schedule to this Notice.

PETER DUNCAN,
Chief Executive,
Roads and Maritime Services

SCHEDULE**Explanatory Note**

This Notice replaces the General Class 1 Oversize (Agricultural Vehicles) Notice 2007, that was published on 3 August 2007 in *NSW Government Gazette* No. 98 at pages 5463-5508 and all amendments made to that Notice.

PART 1 – PRELIMINARY**1.1 Citation**

This Notice is the Class 1 Agricultural Vehicles Notice 2012.

1.2 Commencement

This Notice has effect on and from 1 August 2012.

1.3 Effect

This Notice remains in force up to and including 31 July 2017 unless it is repealed earlier.

1.4 Interpretation

1.4.1 Unless stated otherwise in this Notice, words and expressions used in this Notice have the same meaning as those defined in the Road Transport (General) Act 2005.

1.4.2 Unless otherwise stated notes and diagrams in this Notice do not form part of the Notice.

PART 2 – APPLICATION OF NOTICE**2.1. Vehicles this Notice Applies to**

2.1.1 This Notice applies to a heavy vehicle or a heavy combination which is an:

- (a) agricultural machine, or
- (b) agricultural implement, or
- (c) agricultural combination,

that together with any load exceeds a mass or dimension limit as prescribed in Schedule 1 of the Regulation or the Road Transport (Vehicle Registration) Regulation 2007.

2.2. Vehicles this Notice Does Not Apply to

2.2.1 This Notice does not apply to:

- (a) A special purpose vehicle.
- (b) A vehicle or combination (including a low loader or load platform combination) that is specially designed for the carriage of a large indivisible item or is carrying a large indivisible item.
- (c) A road train or a B-double.

PART 3 – DIMENSION**3.1 Dimension Limits**

3.1.1 Subject to clause 5.2 of this Notice, a vehicle operating under this Notice must not exceed the dimension limits prescribed in Schedule 2 to the Regulation as set out in Table 1 of this Notice.

3.1.2 Except where provided in Table 1 of this Notice, a vehicle must comply with the dimension limits specified in the Road Transport (Vehicle Registration) Regulation 2007.

Note: Any flags, lights or mirrors required on a vehicle, combination or load must be disregarded when measuring the dimensions of a vehicle or combination for the purposes of this Notice.

Table 1: Maximum Overall Dimension Limits

<i>Vehicle</i>	<i>Height (metres)</i>	<i>Width (metres)</i>	<i>Length (metres)</i>	<i>Rear Overhang Limit (metres)</i>
Agricultural machine (single vehicle) travelling in the NSW Eastern or NSW Urban Zone	4.6	5.0	12.5	4.5
Agricultural machine (single vehicle) travelling in the NSW Western Zone	4.6	6.0	12.5	4.5
Agricultural combination travelling in the Eastern or NSW Urban Zone	4.6	5.0	25.0	4.5
Agricultural combination travelling in the NSW Western Zone	4.6	6.0	25.0	4.5

PART 4 – MASS**4.1. Mass limits**

4.1.1 Subject to 4.1.2 a vehicle operating under this Notice with 2 axles, must not exceed the axle mass limits specified in Table 2 of this Notice.

Table 2: Mass Limits

<i>Number of tyres on an axle</i>	<i>Mass limit (tonnes)</i>
Axle fitted with 2 tyres	9.0
Axle fitted with 4 tyres and a ground contact width less than 2.51 m	9.0
Axle fitted with 4 tyres and a ground contact width at least 2.51 m but not more than 3.5 m	10.5
Axle fitted with 4 tyres and a ground contact width more than 3.5 m	12.0

4.1.2 the total mass of a vehicle and any load must not exceed the vehicle's GVM; and

4.1.3 the wheel load or axle load must not exceed the limit set by its manufacturer.

4.1.4 The mass on an axle group or single axle must not exceed the relevant limit set by the Regulation if it is:

(a) not described in Table 2, or

(b) on a agricultural vehicle or combination except one described in Clause 2.1.1

4.2 Mass limits relating to tyre width

4.2.1 In order to travel at the mass limits identified in Table 2, the applicable tyre width limit in Table 3 and Table 4 must be met.

4.2.2 Notwithstanding axle mass limits set out in Table 3 and Table 4, the steer axle mass must not exceed the steer axle mass set out in Table 2.

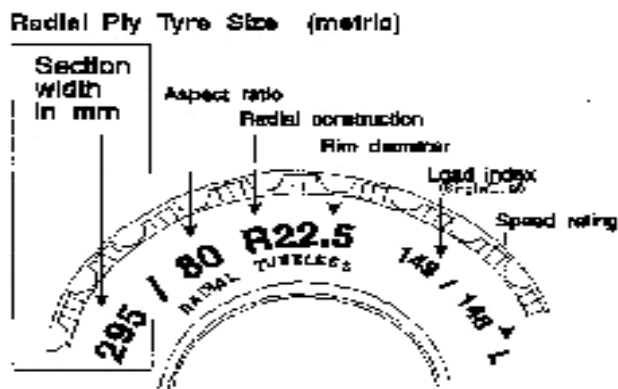
4.2.3 The mass on an axle fitted with tyres of a number and width described in Table 3 must not exceed the mass limit specified in Table 3 for that axle in relation to the narrowest tyre on the axle.

Table 3

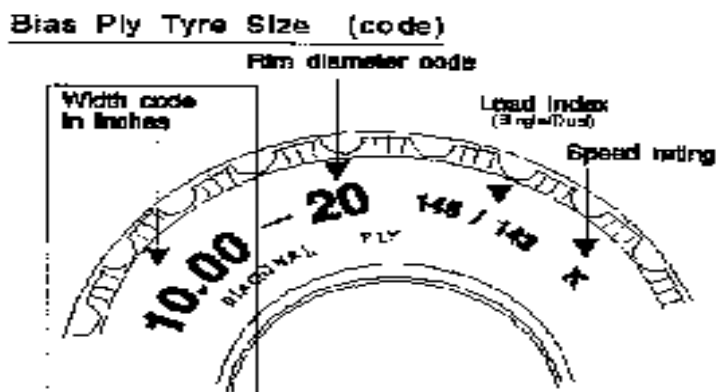
<i>Tyre width of the narrowest tyre on the axle (mm)</i>		<i>Mass limit if the axle has 2 tyres (tonnes)</i>	<i>Mass limit if the axle has 4 tyres (tonnes)</i>
<i>at least</i>	<i>but less than</i>		
190	228	4.5	9.0
228	254	5.0	9.5
254	279	6.0	10.0
279	305	6.5	11.0
305	330	7.0	12.0
330	356	7.5	13.0
356	381	8.0	14.0
381	406	9.0	14.0
406	458	10.0	14.0
458	508	11.0	14.0
508		12.0	14.0

Note:

For the purpose of Tables 3, the tyre width of a radial ply tyre is the number of millimetres marked on the tyre in the position labelled "Section width in mm" on the diagram below.



For the purpose of Table 3 and Table 4, the tyre width of a bias-type tyre is the number of millimetres equal to 25.4 times the number marked on the tyre in the position labelled "Width code in inches" on the diagram below.



If no section width or width code is marked on a tyre, the tyre width may be determined by measuring the width of the part of the tyre that normally comes into contact with the road surface.

PART 5 – MISCELLANEOUS

5.1.1 A copy of this Notice (excluding the APPENDICES), must be carried in the driving compartment whenever the vehicle is operating under this Notice and must be produced when the driver is requested to do so by a police officer or an authorised officer.

5.1.2 A vehicle operating under this Notice must comply with the conditions set out in Appendix 1 of this Notice.

5.2 Approved Routes and Areas

5.2.1 An Oversize vehicle must only operate on an approved route or zone, as set out in Appendix 2 of this Notice and in accordance with any applicable travel conditions.

5.2.2 Notwithstanding the dimension limits set out in the Notice, travel on or through a limited access location is not permitted if the vehicle exceeds one or more of the limits that applies to a Limited Access Location as set out in Appendix 2 of this Notice.

5.2.3 In addition to clause 5.2.1, a vehicle that exceeds 4.3 metres, but not 4.6 metres in height must only be operated on routes approved for 4.6 metre high vehicles as set out in the 4.6 Metre High Vehicle Notice 2008.

5.2.4 An Overmass vehicle is not permitted to travel on:

- (a) mass restricted bridges set out in Appendix 2 of this Notice; or
- (b) on any road or bridge that has a mass limit imposed under Section 28 of the Road Transport (General) Act 2005

5.2.5 Overmass and Oversize vehicles operating under this Notice must:

- (a) only be operated in or on an approved travel zone or route as set out in Appendix 2 and in accordance with travel conditions that apply to a route or zone as set out in Appendix 2; and
- (b) comply with Clause 5.2.2; and
- (c) operate in accordance with Clause 5.2.3 if the vehicle exceeds 4.3 metres in height; and
- (d) must not operate on:
 - i. A mass restricted bridge set out in Appendix 2 of this Notice; or
 - ii. Any road or bridge that has a mass limit imposed under Section 28 of the Road Transport (General) Act 2005.

CLASS 1 AGRICULTURAL VEHICLES NOTICE 2012**Appendix 1**

A vehicle operating under the Class 1 Agricultural Vehicles Notice 2012 must comply with the applicable conditions set out in this appendix.

For the purposes of this Appendix a major road is a major road is defined as a classified road which means any of the following:

- (a) a main road,
- (b) a highway,
- (c) a freeway,
- (d) a controlled access road,
- (e) a secondary road,
- (f) a tourist road,
- (g) a tollway,
- (h) a transit way,
- (i) a State work.

Note: Under Clause 2.2 of this Appendix an Oversize Agricultural Vehicle must not be operated on a freeway.

Part 1 – Conditions for All Oversize and Overmass Vehicles**1.1 Making an unloaded vehicle smaller**

(Clause 3, Schedule 2 Road Transport (Mass, Loading and Access) Regulation 2005)

An oversize vehicle without a load must be reduced to the smallest practicable dimensions, with any booms fully retracted.

1.2 Warning devices for oversize vehicles

(Clause 4, Schedule 2 Road Transport (Mass, Loading and Access) Regulation 2005)

1.2.1 An oversize vehicle or combination, together with any load, that is wider than 2.5 m, or longer than 25 m, must have:

- (a) one warning sign at its front, and
- (b) one warning sign at its rear or, if it is carrying a rear-projecting load, at the rear of the load, and
- (c) 4 brightly coloured red, yellow, or red and yellow, flags, each at least 450 mm long and at least 450 mm wide.

1.2.2 One of the flags must be positioned:

- (a) at each side of the front and rear of any projecting load, or
- (b) if there is no projecting load, at each side of the front and rear of the vehicle or combination.

1.2.3 An oversize vehicle or combination that, together with any load, is not wider than 2.5 m, and whose length is more than 22 m but not more than 25 m, must have one warning sign at its rear or, if it is carrying a rear-projecting load, at the rear of the load.

1.2.4 Subclauses 1.2.1, 1.2.2 and 1.2.3 do not apply to a road construction vehicle or combination travelling within 1 km of a construction site, if the vehicle has a warning light.

1.2.5 If a load projects more than 150 mm beyond one side of an oversize vehicle or combination, and the projection is less than 500 mm thick from top to bottom, there must be:

- (a) a warning light attached to the vehicle or combination, and
- (b) at least two yellow, rigid pieces of material (in this clause called delineators), one attached to the front and the other attached to the rear of the projection.

Note: If the load projects more than 150 mm beyond both sides of the vehicle there must be at least 4 delineators—at least one on each side at the front and at least one on each side at the rear.

1.2.6 A delineator must:

- (a) be at least 300 mm long and at least 300 mm wide, and
- (b) comply with Class 1 or 2 of Australian/New Zealand Standard AS/NZS 1906.1:1993, Retroflective materials and devices for road control purposes, as amended and in force at the commencement of the Regulation, and
- (c) if at the front of the projection, be attached so that its reflective surface is facing forward of the vehicle, and
- (d) if at the rear of the projection, be attached so that its reflective surface is facing rearward from the vehicle.

1.2.7 In the daytime, an oversize vehicle or combination must display a warning light if the vehicle, together with any load, is wider than 3 m.

Note: Parts 4 and 5 set out requirements for warning lights and signs.

In addition to the requirements in this clause, any load projecting more than 1.2 m behind the vehicle must display warning flags in the daytime, in accordance with Schedule 1 of the Regulation.

1.3 Additional warning devices at night

(Clause 5, Schedule 2 Road Transport (Mass, Loading and Access) Regulation 2005)

1.3.1 At night, an oversize vehicle or combination must display:

- (a) lights showing yellow to the front and red to the rear (known as side markers) no more than 2 m apart along both sides of the vehicle and along any front or rear projection, and
- (b) two red lights (known as rear markers) fixed to the rear of any rear-projecting load, within 400 mm of each side of the load, and at least 1 m but not more than 2.1 m above the ground, and
- (c) a warning light if the vehicle or combination, together with any load, is wider than 2.5 m or longer than 22 m.

1.4 Headlights

(Clause 6, Schedule 2 Road Transport (Mass, Loading and Access) Regulation 2005)

An oversize vehicle, or the front vehicle in an oversize combination, must have its low-beam headlights on while travelling in the daytime, unless it is not required under the Road Transport (Vehicle Registration) Regulation 2007 to have headlights.

1.5 Travel restrictions at night

See Appendix 2 for night travel restrictions.

1.6 No travelling if low visibility

(Clause 8, Schedule 2 Road Transport (Mass, Loading and Access) Regulation 2005)

1.6.1 A vehicle or combination must not begin to travel if, due to circumstances such as fog, heavy rain, smoke, dust or insect plague:

- (a) visibility is less than 250 m in the daytime, or
- (b) the headlights of a vehicle approaching within 250 m could not be seen at night.

1.6.2 If a vehicle or combination is already travelling when visibility is reduced to the level described in subclause (1), the driver must drive it into the nearest safe parking area, and wait until visibility improves beyond that level before continuing to travel.

1.7 Minimum following distance

(Clause 9, Schedule 2 Road Transport (Mass, Loading and Access) Regulation 2005)

1.7.1 A person driving an oversize vehicle or combination must maintain a distance of at least 200 m from an oversize vehicle or combination travelling in front of it, unless:

- (a) it is overtaking the front one, or the front one is stopping, or
- (b) there is a separate lane available for the use of overtaking traffic, or
- (c) it is in an urban area and it is not reasonably practicable to maintain a distance of 200 m.

1.8 Assessing routes

(Clause 10, Schedule 2 Road Transport (Mass, Loading and Access) Regulation 2005)

1.8.1 Before a vehicle or combination is driven along any route, its driver and owner must be satisfied that the route has been assessed and that the vehicle or combination can be driven along it without contravening subclause (2).

1.8.2 A vehicle or combination must not be driven along a route if to do so would be likely to cause:

- (a) disruption to telecommunication, electricity, rail, gas, water or sewage services, or
- (b) damage to a road (including a bridge), structure, rail crossing or tree.

1.8.3 1.8.2 does not apply if the authority responsible for the services or property has given permission for the vehicle or combination to travel along the route, and the vehicle or combination is driven in accordance with the permission.

1.9 Allowing Vehicles to Overtake

If traffic banks up behind an oversize vehicle, its operator must move the vehicle to the side of the road, and if necessary, stop as soon as it is safe to do so to allow following vehicles to overtake.

Part 2 – Conditions for Agricultural Vehicles

2.1 Warning devices for agricultural vehicles

(Clause 25, Schedule 2 Road Transport (Mass, Loading and Access) Regulation 2005)

2.1.2 An agricultural vehicle or combination that is wider than 2.5 m, or an agricultural combination that is longer than 22 m, must have a warning light fixed to its highest practicable point when it is on a major road.

- 2.1.3 A warning sign must be displayed at the rear of an agricultural implement being towed by a tractor.
- 2.1.4 A pattern covering an area of at least 0.16 square metres and consisting of diagonal stripes at least 150 mm wide and alternately coloured:
- (a) red and white, or
 - (b) black and white,
- must be displayed at the sides of the rear of any auger, conveyor, or harvester comb carried on a comb trailer.
- 2.1.5 Any part of an axle extending more than 150 mm from the outside wall of a tractor's tyre must be painted fluorescent yellow or have yellow fluorescent or other high-visibility material wrapped around it.

2.2 Agricultural vehicles not to use freeways

(Clause 27, Schedule 2 Road Transport (Mass, Loading and Access) Regulation 2005)

An oversize agricultural vehicle or combination must not be driven on a freeway.

2.3 Agricultural implements not to carry loads

(Clause 28, Schedule 2 Road Transport (Mass, Loading and Access) Regulation 2005)

An agricultural implement must not carry a load.

2.4 Speed limits for agricultural implements without brakes

(Clause 29, Schedule 2 Road Transport (Mass, Loading and Access) Regulation 2005)

An agricultural implement without brakes must not be towed at a speed greater than the lesser of:

- (a) 20 km an hour less than the speed limit applying to the section of road on which the implement is travelling, and
- (b) 50 km an hour.

2.5 Exemption from requirement for rear vision mirrors

(Clause 30, Schedule 2 Road Transport (Mass, Loading and Access) Regulation 2005)

A vehicle towing an agricultural implement wider than 3.5 m, which obscures the view to the rear of the vehicle, is exempt from any requirement under the Road Transport (Vehicle Registration) Regulation 2007 to have a rear vision mirror fitted.

Part 3 – Pilot and Escort vehicle requirements for agricultural vehicles

Note: The responsibility of a pilot vehicle are to provide advance warning to approaching traffic, and to be positioned to give adequate warning to other road users. In some instances, more than one pilot vehicle will be needed to meet these responsibilities.

3.1 Pilot Vehicle Requirements

(Clause 26, Schedule 2 Road Transport (Mass, Loading and Access) Regulation 2005)

3.1.1 Agricultural vehicles and combinations of a width described in Table 1 must be accompanied by pilot vehicles in accordance with that Table.

Table 1

<i>Area of operation</i>	<i>Wider than 3.7 m but not wider than 4.5 m</i>	<i>Wider than 4.5 m but not wider than 6 m</i>
If the terrain limits a clear view of approaching traffic to less than 500 m	1 pilot vehicle	2 pilot vehicles
A major road	1 pilot vehicle	2 pilot vehicles
If there is a clear view of approaching traffic for at least 500 m, but not on a major road	nil	1 pilot vehicle

3.1.2 Despite subclause (1), an agricultural vehicle or combination does not have to be accompanied by a pilot vehicle if it is travelling less than 500 m.

3.2 Requirements for a pilot vehicle

(Clause 32, Schedule 2 Road Transport (Mass, Loading and Access) Regulation 2005)

3.2.1 A pilot vehicle must have 4 or more wheels and a GVM of:

- (a) 6.5 tonnes or less in the case of a rear pilot vehicle if two pilot vehicles are required, or
- (b) 4.5 tonnes or less in any other case.

3.2.2 A pilot vehicle must have a warning sign on its roof.

3.2.3 A pilot vehicle must only have a warning light attached:

- (a) above or below the sign, or
- (b) each side of the sign.

3.3 Requirements for an escort vehicle

(Clause 33, Schedule 2 Road Transport (Mass, Loading and Access) Regulation 2005)

3.3.1 An escort vehicle other than a police motor cycle must have:

- (a) 4 or more wheels, and
- (b) a GVM of 4.5 tonnes or less, and
- (c) on its roof a light that flashes or 2 lights that flash when switched on.

3.3.2 A light referred to in subclause 3.3.1 must flash yellow unless the vehicle is a police vehicle or a vehicle belonging to an Authority and the light is of a colour approved under Schedule 2 to the Road Transport (Vehicle Registration) Regulation 2007.

3.4 Headlights on a pilot or escort vehicle

(Clause 34, Schedule 2 Road Transport (Mass, Loading and Access) Regulation 2005)

The low-beam headlights on a pilot vehicle or escort vehicle must be switched on when it is accompanying an oversize vehicle or combination during the daytime

3.5 What may a pilot or escort vehicle carry?

(Clause 35, Schedule 2 Road Transport (Mass, Loading and Access) Regulation 2005)

A pilot or escort vehicle must not tow a trailer or carry a load, but it may carry tools, equipment or substances for use in connection with the oversize vehicle or combination that it is accompanying or for restraining the load on that vehicle or combination.

3.6 Where must a pilot vehicle be driven?

(Clause 36, Schedule 2 Road Transport (Mass, Loading and Access) Regulation 2005)

- (a) When 1 pilot vehicle accompanies an oversize vehicle or combination, the pilot vehicle must travel:
 - (i) Behind the oversize vehicle or combination if they are on a divided road, or
 - (ii) In front of the oversize vehicle or combination if they are on a road that is not divided.
- (b) When 2 pilot vehicles accompany an oversize vehicle or combination, one pilot vehicle must travel in front of the oversize vehicle or combination, and the other behind it.
- (c) A pilot vehicle must travel far enough away from the oversize vehicle or combination it is accompanying to give adequate warning to other road users of the presence of the oversize vehicle or combination, taking into account traffic speed, weather, visibility and other driving conditions.

3.7 Communication between drivers

(Clause 37 Schedule 2 Road Transport (Mass, Loading and Access) Regulation 2005)

3.7.1 An oversize vehicle or combination and any accompanying pilot or escort vehicle must have an electronic device that allows the drivers to communicate effectively with each other.

3.7.2 Subclause 3.7.1 does not apply to:

- (a) an oversize agricultural machine, or
- (b) an oversize combination that includes an agricultural machine, or
- (c) an escort vehicle that is a police vehicle.

Part 4 – Warning Lights

(Part 6, Schedule 2 Road Transport (Mass, Loading and Access) Regulation 2005)

4.1 Characteristics of warning lights

(Clause 38, Schedule 2 Road Transport (Mass, Loading and Access) Regulation 2005)

4.1.1 When switched on, a warning light on an oversize vehicle or combination or pilot vehicle must:

- (a) Emit a rotating, flashing, yellow coloured light, and
- (b) Flash between 120 and 200 times a minute, and
- (c) Have a power of at least 55 watts, and
- (d) Not be a strobe light.

4.2 Visibility of warning lights

(Clause 39, Schedule 2 Road Transport (Mass, Loading and Access) Regulation 2005)

4.2.1 A warning light on an oversize vehicle or combination or a pilot or escort vehicle must be:

- (a) Clearly visible at a distance of 500 m in all directions, or
- (b) Supplemented by one or more additional warning lights so that the light emanating from at least one of them is clearly visible at a distance of 500 m in any direction.

4.2.2 Despite subclause 4.2.1, in the case of a pilot vehicle travelling in front of an oversize vehicle or combination, a filter may be placed behind the warning light on the pilot vehicle, to reduce the intensity of the light directed to the driver of the oversize vehicle or combination.

4.3 Warning lights to be on if required, and off if not

(Clause 40, Schedule 2 Road Transport (Mass, Loading and Access) Regulation 2005)

- 4.3.1 Any warning light which an oversize vehicle or combination is required to have must only be switched on when the vehicle or combination is travelling or is stationary in a position that is likely to cause danger to other road users.
- 4.3.2 Any warning light which a pilot or escort vehicle is required to have must be switched on when the vehicle is travelling and accompanying an oversize vehicle or combination.
- 4.3.3 If a vehicle or combination is not required under this Regulation to have a warning light, it must not have one that is switched on.

Part 5 – Warning Signs

(Part 7, Schedule 2 Road Transport (Mass, Loading and Access) Regulation 2005)

5.1 What specifications must a warning sign comply with?

(Clause 41, Schedule 2 Road Transport (Mass, Loading and Access) Regulation 2005)

A warning sign must comply with the specifications in this Part if it is on an oversize vehicle or combination or a pilot vehicle.

5.2 Face of a warning sign

(Clause 42, Schedule 2 Road Transport (Mass, Loading and Access) Regulation 2005)

- 5.2.1 The face of a warning sign must have a yellow surface that complies with Class 1 or 2 of Australian/New Zealand Standard AS/NZS 1906. One:1993, Retro-reflective materials and devices for road control purposes, as amended and in force at the commencement of this Regulation, Parts 1–4 (inclusive).
- 5.2.2 The face of the warning sign must have a black border at least 20 mm wide.
- 5.2.3 The outermost edge of the border must be set at least 10 mm in from the edge of the sign unless the sign has been made with a box edge.
- 5.2.4 The warning sign must display the sign manufacturer's name or logo, and the brand and class of retro-reflective material used, in block letters not more than 10 mm high.
- 5.2.5 The marking may appear in any visible location on the sign, except in a bottom corner of a sign used on a pilot vehicle.

5.3 Material for a warning sign

(Clause 43, Schedule 2 Road Transport (Mass, Loading and Access) Regulation 2005)

- 5.3.1 A warning sign must be made of stiff, flat, weatherproof material.

Note: Zincalume at least 0.8 mm thick and aluminium at least 1.6 mm thick are examples of material that would comply with 5.3.1.

- 5.3.2 Despite 5.3.1, a warning sign may be made of a flexible material if the sign is mounted in such a way that it is held taut and unlikely to furl, become dislodged from its position or otherwise become difficult to read by other road users.
- 5.3.3 A flexible warning sign must comply with all other requirements of this Part as if it were a stiff sign.
- 5.3.4 A warning sign must be kept in such a condition that its message can be easily read by other road users.

5.4 Keeping signs clean

(Clause 44 Schedule 2 Road Transport (Mass, Loading and Access) Regulation 2005)

A warning sign on a vehicle must be kept clean enough so that it can be easily read by other road users.

5.5 Warning sign must not be displayed if not required

(Clause 45 Schedule 2 Road Transport (Mass, Loading and Access) Regulation 2005)

A warning sign must not be displayed on a vehicle or combination that is not operating oversize or as a pilot vehicle.

Part 6 – Oversize Vehicles Only

(Division 3, Schedule 2 Road Transport (Mass, Loading and Access) Regulation 2005)

6.1 Size of a warning sign

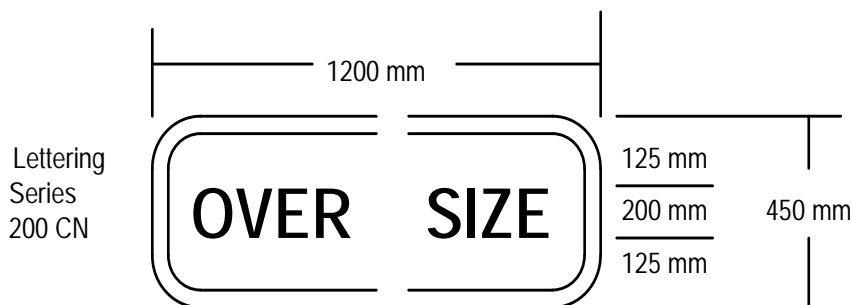
(Clause 46 Schedule 2 Road Transport (Mass, Loading and Access) Regulation 2005)

- 6.1.1 A warning sign on an oversize vehicle or combination must be at least 1200 mm long and at least 450 mm high.
- 6.1.2 The sign may be split into two parts, in which case the combined length of its parts must be at least 1200 mm.

6.2 Face of a warning sign

(Clause 47 Schedule 2 Road Transport (Mass, Loading and Access) Regulation 2005)

- 6.2.1 A warning sign on an oversize vehicle or combination must show the word “OVERSIZE”, in black upper-case lettering, conforming with Australian Standard AS 1744—1975, Forms of letters and numerals for road signs, in typeface Series CN 200 as amended and in force at the commencement of this Regulation.
- 6.2.2 The lettering must be at least 200 mm high.
- 6.2.3 The top and the bottom of the lettering must be at least 125 mm from the top and bottom of the sign, respectively.
- 6.2.4 If the sign is split into two parts:
 - (a) The part mounted on the left must show the letters “OVER” and the part mounted on the right must show the letters “SIZE”, and
 - (b) There must be no border between the two parts, despite subclauses 6.2.2 and 6.2.3.



6.3 Mounting a warning sign

- 6.3.1 A warning sign on an oversize vehicle or combination must be mounted vertically.
- 6.3.2 The lower edge of the sign must be:
 - (a) Above the bottom of the bumper bar, or
 - (b) If there is no bumper bar—at least 500 mm from the ground level.
 - (c) No part of a warning sign may be higher than 1.8 metres above the ground.
- 6.3.3 If the sign is split into two parts, each part must be fitted at the same height as the other.

Part 7 – Pilot Vehicles Only

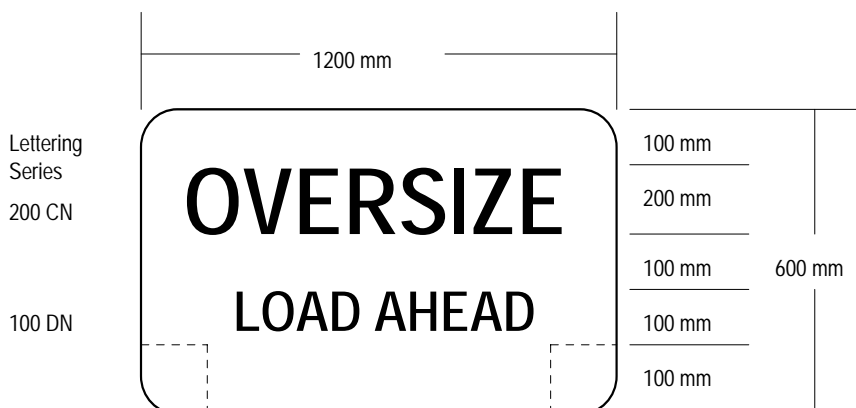
(Division 4, Schedule 2 Road Transport (Mass, Loading and Access) Regulation 2005)

7.1 Size and shape of a warning sign

- 7.1.1 A warning sign on a pilot vehicle must be at least 1200 mm long and at least 600 mm high.
- 7.1.2 The sign may have bottom corner cut-outs not more than 150 mm wide and not more than 100 mm high if they are needed for mounting the warning lights.

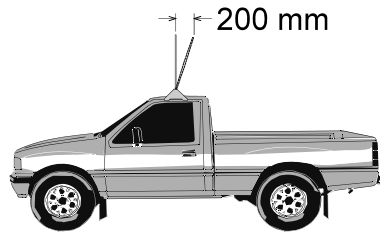
7.2 Faces of a warning sign

- 7.2.1 Both faces of a warning sign on a pilot vehicle must show:
 - (a) The word “OVERSIZE”, in black upper-case lettering at least 200 mm high, conforming with Australian Standard AS 1744—1975, Forms of letters and numerals for road signs, in typeface Series CN 200, and
 - (b) The words “LOAD AHEAD”, in black upper-case lettering at least 100 mm high, conforming with Australian Standard AS 1744—1975, Forms of letters and numerals for road signs, in typeface Series DN 100.
- 7.2.2 The bottom of the lettering of the word “OVERSIZE” must be at least 300 mm from the bottom of the sign.
- 7.2.3 The bottom of the lettering of the words “LOAD AHEAD” must be at least 100 mm from the bottom of the sign.



7.3 Mounting a warning sign

A warning sign on a pilot vehicle must not lean back so that there is more than 200 mm measured horizontally from the top of the sign to a vertical line running through the bottom of the sign.



Part 8 – Interpretation

(Part 8, Schedule 2 Road Transport (Mass, Loading and Access) Regulation 2005)

8.1 References to vehicles and combinations

In this Notice:

- (a) A reference to a vehicle or combination is a reference to a vehicle or combination that is oversize or overmass or both, and
- (b) A reference to an oversize vehicle or oversize combination is a reference to a vehicle or combination that is oversize or oversize and overmass, and
- (c) A reference to an overmass vehicle or combination is a reference to a vehicle or combination that is overmass, or overmass and oversize.

8.2 Measuring distances between parallel lines

In this Notice a reference to a distance between 2 lines that are parallel means the distance measured at right angles between the lines.

8.3 Application to retractable axles

For the purposes of this Notice, a retractable axle must be taken to be an axle when it is in the lowered position and must be taken not to be an axle when it is in the raised position.

CLASS 1 AGRICULTURAL VEHICLES NOTICE 2012

Appendix 2 – Approved Travel Times, Zones, Routes and Travel Conditions

Part 1 – NSW Urban and Eastern Zones

For the purposes of this Part:

The NSW Urban Zone is defined as the area bounded by and including the named roads the Pacific Ocean and the North Channel of the Hunter River, then north from Stockton bridge along

- Nelson Bay Road (MR108) to Williamtown, then west along
- Cabbage Tree Road (MR302) to Masonite Road near Tomago, then along
- Masonite Road to the Pacific Highway (HW10) at Heatherbrae, then south along the
- Pacific Highway (HW10) to Hexham, then west along the
- New England Highway (HW9) to Weakleys Drive Thornton, then south along
- Weakleys Drive to the Sydney-Newcastle Freeway (F3) at Beresfield, then along the
- F3 Freeway to the Hawkesbury River bridge, then along the
- Hawkesbury River and the Nepean River to Cobbity, then a line drawn south from
- Cobbity to Picton, then via
- Picton Road and Mount Ousley Road (MR95) to the start of the F6 Freeway at Mount Ousley, then via the
- F6 Freeway to the Princes Highway at West Wollongong, then the
- Princes Highway and Illawarra Highway to Albion Park with a branch west on West Dapto Road to Tubemakers, then
- Tongarra Road to the Princes Highway, then
- Princes Highway south to the intersection of South Kiama Drive at Kiama Heights.

The Eastern Zone is that part of NSW west of the NSW Urban Zone and east of a line drawn through Corowa, Culcairn, Boorowa, Molong, Mudgee, Merriwa, Quirindi, Tamworth, Bundarra, Inverell to the intersection of the Tenterfield to Boggabilla Rd (RR462) and Bonshaw Road (RR137).

1.1 Travel Conditions

Except where otherwise stated, an oversize agricultural vehicle that exceeds 2.5m in width or 22 metres in length must observe the following travel conditions when operating in the NSW Urban and Eastern Zones.

1.1.1 Clearway and transit lane travel

A vehicle must not travel on Clearways or Transit Lanes in the NSW Urban Zone between the hours of 6.00am and 10.00am and between the hours of 3.00pm and 7.00pm when clearway or transit lane restrictions apply.

1.1.2 Week day and Peak hour travel

(a) Urban Zone

A vehicle must not travel within the on any classified State road in the NSW Urban Zone between Monday to Friday (except on a state-wide public holiday) between 7.00am and 9.00am or between 4.00pm and 6.00pm.

(b) Eastern Zone

A vehicle must not travel on a road or area listed in the following table contrary to an applicable conditions set out in the table.

<i>Location</i>	<i>Road or area</i>	<i>Travel not permitted</i>
From Nepean River at Emu Plains to Katoomba	Great Western Highway	If wider than 2.5m – Mon-Fri, 6am to 9am and 4pm to 7pm (except on Statewide public holidays).
Nowra at Shoalhaven Bridge (southbound).	Princes Highway	If wider than 2.5m – Mon-Sat, 8am to 10am and Mon-Fri, 3pm to 6pm (except on Statewide public holidays).
Kempsey at Macleay River Bridge	Pacific Highway	If wider than 2.5m – Mon-Sat, 7.30am to 9.30am and Mon – Fri 3pm to 6pm (except on Statewide public holidays).
Macksville at Nambucca River Bridge	Pacific Highway	If wider than 2.5m – Mon-Sat, 7.30am to 9.30am and Mon-Fri, 3pm to 6pm (except on Statewide public holidays).
Coffs Harbour City between Stadium Drive and West Korora Road	Pacific Highway	If wider than 2.5m – Mon-Sat, 7.30am to 9.30am and Mon-Fri, 3pm to 6pm (except on Statewide public holidays).

Three Chain Road Lismore to Teven Road Alstonville	Bruxner Highway	If wider than 2.5m – Mon-Sat, 7.30am to 9.30am and Mon-Fri, 3pm to 6pm (except on Statewide public holidays).
Ballina between Burns Point Ferry Road and North Creek Road	Pacific Highway	If wider than 2.5m – Mon-Sat, 7.30am to 9.30am and Mon-Fri, 3pm to 6pm (except on Statewide public holidays).
Grafton Bridge over Clarence River between Grafton City and South Grafton	Summerland Way	If wider than 2.5m – Mon-Sat, 7.30am to 9.30am and Mon-Fri, 3pm to 6pm (except on Statewide public holidays).
East Maitland to Rutherford	New England Highway	If wider than 2.5m – Mon-Sat, 7.30am to 9.30am and Mon-Fri, 3pm to 6pm (except on Statewide public holidays).

1.1.3 Night travel (Eastern and Urban Zones)

- (a) Travel is not permitted between sunset and sunrise for agricultural vehicles or combinations, wider than 2.5 metres or longer than 22 metres.
- (b) Despite Clause 1.1.3 (a) travel is permitted for a distance not exceeding 10 kilometres (road distance) to stop at or to commence from a safe parking area or destination beyond a night travel zone limit between midnight and sunrise. The intent is to provide a 10 kilometre buffer area at the night travel limit boundary where it may not be possible to comply with the zone limit due to a lack of safe parking or the proximity of the destination.

Note: Permitted hours for night travel apply all year and are not affected by daytime travel restrictions for weekends, state-wide public holidays and public holiday periods.

1.1.4 Weekends and state-wide public holidays

(a) NSW Urban Zone

Vehicles are not permitted to travel in the NSW Urban Zone after 8.30 am on Sundays or state-wide public holidays.

(b) Eastern Zone

Vehicles and combinations travelling under this Notice in the Eastern Zone that are wider than 2.5 metres or longer than 22 metres are not permitted to travel on a listed road contrary to the restriction in the following table:

<i>Road</i>	<i>Restriction</i>
Great Western Highway between Nepean River and Mt Victoria.	Travel not permitted after 8.30am on Sundays and state-wide public holidays.
Barton Highway between the Yass River and the ACT border.	Travel not permitted after 8.30am on Sundays and state-wide public holidays.
Kings Highway (MR51) between Braidwood and Batemans Bay.	Travel not permitted on Saturdays, Sundays and state-wide public holidays during November, December, January and February (inclusive).
Snowy Mountains Highway between Tumut Plains Road and Cooma.	Travel not permitted on Saturdays, Sundays and state-wide public holidays from the Queens Birthday long weekend in June to the Labour Day long weekend in October (inclusive).
Princes Highway between Berry and the Bendalong Road intersection.	Travel not permitted after 8.00am on Saturdays, Sundays and state-wide public holidays.
Princes Highway between Ulladulla and Narooma.	Travel not permitted after 8.00am on Saturdays, Sundays and state-wide public holidays.
Princes Highway between Cobargo and Pambula.	Travel not permitted after 8.00am on Saturdays, Sundays and state-wide public holidays.
Princes Highway between Eden and the Victorian border.	Travel not permitted after 8.00am on Saturdays, Sundays and state-wide public holidays.

1.1.5 Public holiday periods

- (a) For the purposes of 1.1.5 (b) a public holiday period means a period of three or more consecutive days covering a declared NSW state-wide public holiday and adjacent weekend days (for example Easter and every long weekend); or the period between 23 December and 3 January (inclusive).
- (b) Agricultural vehicles wider than 2.5 metres or longer than 22 metres are permitted to travel during public holiday periods on the following roads (a vehicle driving across the road is exempted) in the NSW Urban and Eastern Zones only if they have received Police approval and are accompanied by at least one (1) Pilot:

<i>Road or area subject to restriction</i>
Princes Highway – from Broadway to the Victorian border.
Hume Highway – from Parramatta Road to the Victorian border.
Pacific Highway – from Warringah Freeway North Sydney to Tugun interchange.
New England Highway – from Hexham Bridge to Wallangarra.
Central Coast Highway – from F3 at Kariong to Pacific Highway Doyalson.
John Renshaw Driver – between F3 and New England Highway.
Cumberland Highway – from Hume Highway Liverpool to Pacific Highway Wahroonga.
Bruxner Highway – from Ballina to Tenterfield.
Oxley Highway – from Port Macquarie to Western Zone at Tamworth.
Gwydir Highway – from South Grafton to Western Zone at Inverell.
Kamilaroi Highway – from Willow Tree to Western Zone at Quirindi.
Castlereagh Highway – from Lithgow to Western Zone at Mudgee.
Great Western Highway – from Broadway to Bathurst.
Mitchell Highway – from Bathurst to Western Zone at Molong.
Mid Western Highway – from Bathurst to Western Zone at Holmwood.
Lachlan Valley Way – from Hume Highway to Western Zone at Boorowa.
Burley Griffin Way – from Hume Highway to Western Zone at Harden.
Federal Highway – from Goulburn to ACT border.
Barton Highway – from Hume Highway to ACT border.
Kings Highway (MR51) – from Braidwood to Batemans Bay.
Monaro Highway – from ACT border to Victorian border.
Sturt Highway – from Hume Highway to Western Zone at Borambola.
Riverina Highway – from Hume Highway to Western Zone at Corowa.
Snowy Mountains Highway – from Hume Highway to Bega.
Illawarra Highway – from Sutton Forest to Robertson.
Golden Highway – from Whittingham to Western Zone at Merriwa.
F1 Warringah Freeway – from Sydney Harbour Bridge to Willoughby Rd Naremburn.
M2 Hills Motorway – from North Ryde to Seven Hills.
F3 Sydney Newcastle Freeway – from Wahroonga to Beresfield.
F4 Western Motorway – from Concord Rd to Nepean River Leonay.
F5 South Western Freeway – from Kyeemagh to Prestons.
F6 Southern Freeway – from waterfall to Yallah.
M7 Westlink – from Seven Hills to Prestons
Gore Hill Freeway – Naremburn to Lane Cove

Note: Some of these listed roads continue into the Western Zone.

1.2 Limited Access Locations – NSW Urban Zone

Vehicles operating under the Notice are not permitted to travel on the following Restricted Roads in the NSW Urban Zone.

1.2.1 Sydney & Inner Suburbs

For the purposes of this Part, the Sydney CBD Zone: The area bounded by and including George Street from Railway Square to Hay Street, Hay Street from George Street to Sussex Street, Sussex Street from Hay Street to Erskine Street, Erskine Street from Sussex Street to Kent Street, Kent Street from Erskine Street to as far north as Jamison Street, then a line drawn to Jamison Street and along Jamison Street to York Street, York Street from Jamison Street to Grosvenor Street, Grosvenor Street from York Street to George Street, George Street from Grosvenor Street to Alfred Street, Alfred Street from George Street to Circular Quay East, Circular Quay East from Alfred Street to Macquarie Street, Macquarie Street from Circular Quay East to Prince Albert Road, Prince Albert Road from Macquarie Street to College Street, College Street from Prince Albert Road to Wentworth Avenue, Wentworth Avenue from College Street to Elizabeth Street, Elizabeth Street from Wentworth Avenue to Hay Street, Hay Street from Elizabeth Street to Pitt Street, Pitt Street from Hay Street to George Street at Railway Square;



<i>Restricted Roads or Areas: Sydney CBD and Inner suburbs</i>
Sydney CBD Zone
Boundary Street Darlinghurst railway underpass (MR625)
Bradfield Highway (MR632) from the Southern Toll Plaza to Lavender Street
Brown Street Leichhardt (Tebbutt Street to Cook Street) (MR652)
Cross City Tunnel from McLachlan Ave Rushcutters Bay to Harbour Street at Darling Harbour
Cahill Expressway (MR592) from the Southern Toll Plaza to the Eastern Distributor toll road
Frederick Street Ashfield railway underpass (MR650)
Johnston Street Annandale railway underpass (MR655)
King Street Newtown (HW1) between Lord Street and Carillon Avenue

<i>Restricted Roads or Areas: Sydney CBD and Inner suburbs</i>
M5 East Motorway (tunnel) between King Georges Road interchange Beverly Hills and General Holmes Drive Mascot
Raw Square Strathfield railway underpass (MR668)
(Old) Ryde Bridge (MR200) from Concord Road to Church Street
Sydney Harbour Bridge (MR632) from the Southern Toll Plaza to Lavender Street North Sydney.
Sydney Harbour Tunnel from Warringah Freeway to the Cahill Expressway; from Eastern Distributor to Baker Street Kensington

1.2.2 Sydney north

<i>Restricted Roads or Areas:</i>
Lane Cove Tunnel from the Pacific Highway to Lane Cove River at Lane Cove North
M2 Motorway and tunnel from the toll plaza at Macquarie Park to Beecroft Road (MR139)
Berowra Waters Road (RR332) at Berowra Ferry
Boundary Street Roseville railway underpass (MR328)
Galston Road (MR161) at Galston Gorge between Montview Parade Hornsby Heights and Calderwood Road Galston
McCarrs Creek Road (MR174) from Church Point to Terrey Hills
Strathallen Avenue (MR599) at the suspension bridge (BN172), Northbridge
Wisemans Ferry Road (RR225) from Berecroy Road Mangrove Mountain to the Hawkesbury River Wisemans Ferry.
Barrenjoey Road (MR164) at Bilgola Bends

1.2.3 Sydney south

<i>Restricted Roads or Areas:</i>
Heathcote Road (MR512) between New Illawarra Road Lucas Heights and the Princes Highway Heathcote
Lady Wakehurst Drive, Sir Bertram Stevens Drive, Audley Road and Farnell Avenue (MR393) between Bald Hill Lookout and the Princes Highway
McKell Avenue (MR393) from Waterfall to the Royal National Park
Princes Highway (HW1) on (old) Tom Ugly's Bridge (northbound)
Seven Ways Rockdale (MR169) between the Princes Highway and Watkin Street
Wollongong Road Arncliffe – railway underpass

1.2.4 Sydney West

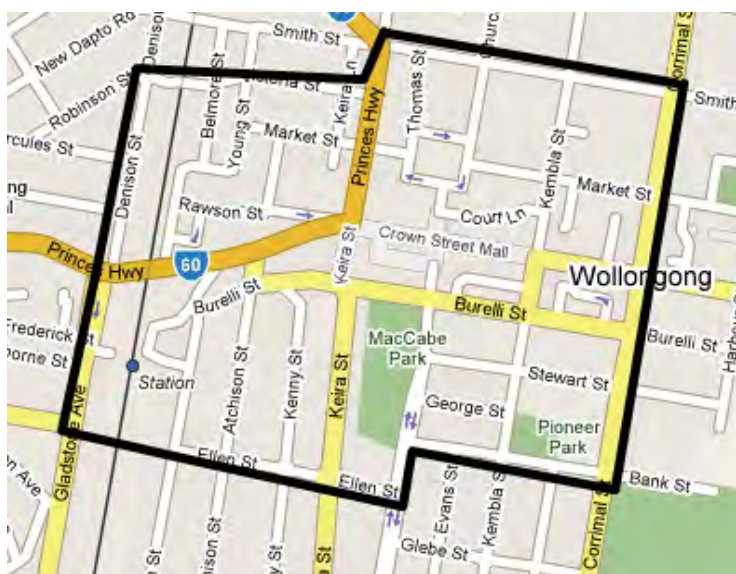
For the purposes of this Part the Parramatta CBD Zone is the area bounded by and including Phillip Street from the intersection with Marsden Road to intersection with Charles Street, Charles Street to the intersection with Macquarie Street, Macquarie Street to the intersection with Smith Street, Smith Street to the intersection with Darcy Street, Darcy Street to the intersection with Church Street, Church Street Mall to the intersection with Macquarie Street, Macquarie Street to the intersection with Marsden Street and Marsden Street to the intersection with Phillip Street. The zone also includes Fitzwilliam Street from the intersection with Wentworth Street to the intersection with Church Street and Argyle Street from the intersection with Church Street to the intersection with Fitzwilliam Street;



<i>Restricted Roads or Areas:</i>
Parramatta CBD Zone
Gasworks Bridge Parramatta
Macquarie Street underpass Windsor
Windsor Bridge George Street Windsor
Victoria Bridge over Nepean River at Penrith

1.2.5 Wollongong

For the purposes of this Part, the Wollongong CBD zone is the area bounded by and including Smith Street from the intersection with Flinders Street to the intersection with Corrimal Street, the western side of Corrimal Street to the intersection with Bank Street, Bank Street to the intersection with Church Street, Church Street to the intersection with Ellen Street, and Ellen Street to the intersection with Auburn Street, then a straight line drawn from the intersection of Ellen Street and Auburn Street to the intersection of Rowland Avenue and Gladstone Avenue, Gladstone Avenue to the intersection with Crown Street, Crown Street and Denison Street to the intersection with Victoria Street, Victoria Street to the intersection with Keira Street, and Keira Street to the intersection with Smith Street;



<i>Restricted Roads or Areas:</i>
Wollongong CBD Zone
Broughton Pass (RR610) from Appin Road to Wilton Road
Bulli Pass (HW1) from Mount Ousley Road to Lawrence Hargrave Drive
Lawrence Hargrave Drive (MR185) from the Princes Highway at the foot of Bulli Pass via Thirroul, Austinmer, Clifton and Bald Hill to the Princes Highway south of Helensburgh

1.2.6 Newcastle and Central Coast

<i>Restricted Roads or Areas:</i>
George Booth Drive (MR527) from the F3 Freeway west to the Tasman Mine entrance.
Henry Parry Drive Gosford (MR673) between York Street and Etna Street
Old Pacific Highway from the Hawkesbury River to Kariong
Woy Woy Bay Road (RR7751) from Woy Woy to Kariong

1.3 Limited Access Locations – Eastern Zone

- (a) Notwithstanding the dimension limits set out in the Notice, travel on or through a Limited Access Location set out in this part is not permitted if the vehicle exceeds one or more of the limits that applies to a Limited Access Location as set out in this Part.
- (b) A vehicle must be only operated in accordance with any access condition that applies to a Limited Access Location.
- (c) A vehicle which exceeds one or more of the stated dimension limits must apply for and obtain a specific permit before travelling on or in any of the following Limited Access Locations in the NSW Eastern Zone.
- (d) Where a dimension limit states Not Applicable (N/A) the dimension limit set out in the Notice is the applicable dimension.

1.3.1 Limited Access Location: Eastern Zone (Northern)

<i>Location/Road</i>	<i>Dimension Limit (metres)</i>			<i>Location Restriction and Condition of Access</i>
	<i>Width</i>	<i>Height</i>	<i>Length</i>	
Bruxner Highway between Drake and Tenterfield.	2.5	N/A	19.0	
Tabulam Bridge on Bruxner Highway	3.5	N/A	25.0	Overmass not permitted
Coramba Road (RR120) between Dorrigo and Coramba.	2.5	N/A	19.0	
Waterfall Way between Church Street Bellingen and Maynards Plains Road Dorrigo.	2.5	N/A	19.0	
Ebor to Grafton Road (RR74) between Tyringham and Nymboida.	2.5	N/A	19.0	
Gwydir Highway from Camp Creek (Peter Elks Bridge) west to Glen Elgin Prison Farm entrance.	3.0	N/A	25.0	
Oxley Highway from Ralfes Creek bridge west to Yarowitch	2.5	N/A	19.0	
Tomewin Road (RR143) from Murwillumbah to the Queensland border	2.5	N/A	19.0	No oversize access.

1.3.2 Limited Access Location: Eastern Zone (Central)

<i>Location/Road</i>	<i>Dimension Limit (metres)</i>			<i>Location Restriction and Condition of Access</i>
	<i>Width</i>	<i>Height</i>	<i>Length</i>	
Crookwell to Trunkey Creek (Binda Road MR54) between Abercrombie Caves and Tuena.	2.5	N/A	19.0	
Abercrombie Road (Taralga to Goulburn Road RR256) for 5 km north and south of Abercrombie Bridge.	2.5	N/A	19.0	

1.3.3 Limited Access Location: Eastern Zone (Sydney West – outside Urban Zone)

<i>Location/Road</i>	<i>Dimension Limit (metres)</i>			<i>Location Restriction and Condition of Access</i>
	<i>Width</i>	<i>Height</i>	<i>Length</i>	
Bells Line of Road (MR184) from Hermitage Road at Bellbird Hill to the Great Western Highway at Mount Victoria. (Darling Causeway is part of this road).	2.9	N/A	19.0	
Hawkesbury Road (MR570) between the lookout near Roberts Parade and north to the Blue Mountains City Council boundary.	2.5	N/A	12.5	
Putty Road (MR503) from East Kurrajong Road to Milbrodale School.	2.5	4.3	19.0	No through travel if wider than 3.2 metres

1.3.4 Limited Access Location: Eastern Zone (Western)

<i>Location/Road</i>	<i>Dimension Limit (metres)</i>			<i>Location Restriction and Condition of Access</i>
	<i>Width</i>	<i>Height</i>	<i>Length</i>	
The Chifley Road (MR516) from Bells Line of Road at Bell to the Great Western Highway at Bowenfels.	2.5	N/A	19.0	
Jenolan Caves Road (RR253) from 10km north of Jenolan Caves to 10km west of Jenolan Caves	2.5	4.3	12.5	

1.3.5 Limited Access Location: Eastern Zone (Southern)

<i>Location/Road</i>	<i>Dimension Limit (metres)</i>			<i>Location Restriction and Condition of Access</i>
	<i>Width</i>	<i>Height</i>	<i>Length</i>	
Gocup Road between Gundagai and Tumut	3.5	N/A	N/A	Contact Police Southern Region RTC for escorts before travel.
Grahamstown Road between Tumblong and Mt Horeb	3.5	N/A	N/A	Contact Police Southern Region RTC before travel.
Snowy Mountains Highway from Tumut Plains Road Tumut to Kosciusko Road Cooma	2.5	N/A	19.0	Contact Police Southern Region RTC for escorts before travel.
Illawarra Highway (HW25) from the Broughton Ave roundabout near Tullimbar westward to Jamberoo Mountain Road near Robertson.	2.5	N/A	19.0	
Moss Vale Road (MR261) between Barfield Road Cambewarra and Fitzroy Falls.	2.5	N/A	19.0	Contact Nowra Police if wider than 2.5m.
Police escort required if wider than 3.0 metres.				
Moss Vale Road (RR261) at Fitzroy Falls	2.5	N/A	19.0	
Kangaroo Valley Road between Berry and Moss Vale Road	2.5	N/A	19.0	Contact Nowra Police if wider than 2.5m.
Police escort required if wider than 3.0 metres.				
Hampden Bridge in Kangaroo Valley	2.5	N/A	19.0	No overmass permitted.
Kings Hwy (MR51) at Clyde Mountain.	2.5	N/A	19.0	
Snowy Mountains Highway from the top of Brown Mountain to Nunnock River	2.5	N/A	19.0	

<i>Location/Road</i>	<i>Dimension Limit (metres)</i>			<i>Location Restriction and Condition of Access</i>
	<i>Width</i>	<i>Height</i>	<i>Length</i>	
Araluen Road from Majors Creek to Kiora	2.5	N/A	19.0	
Princes Highway between Narooma and Cobargo	3.0	N/A	25.0	Contact Bega Police HWP if wider than 3.0 metres – NB height limit at Narooma Bridge.
Princes Highway between Poplar Street rest area and Belmore Street at Bega.	3.0	N/A	25.0	Contact Bega Police if wider than 3.0 metres.
Princes Highway at Clyde River bridge at Batemans Bay	3.2	N/A	N/A	One Pilot required if wider than 3.2 metres but not wider than 3.5 metres.
Princes Highway at Narooma bridge between Dalmeny Drive and Riverside drive	3.0	4.5	N/A	Contact Batemans Bay Police if wider than 3.0 metres or higher than 4.4 metres.

1.4 Bridge Mass Restrictions

A Vehicle must not operate on the Bridges set out in this part unless the total mass limit of the vehicle does not exceed the lesser of:

- The mass limits prescribed by Schedule 1 of Road Transport (Mass, Loading and Access) Regulation 2005; or
- The applicable total mass limit that applies to a bridge as set out in this part; or
- A mass limit imposed under Section 28 of the Road Transport (General) Act 2005;

1.4.1 NSW Urban Zone

<i>Bridge Number and Name</i>	<i>Description</i>
BN226 Sydney Harbour Bridge	Over Sydney Harbour on MR632. (If oversize see also table at clause 1.6.1)
BN29 Tom Uglys Bridge	Northbound bridge on Princes Highway (HW1) across Georges River at Sylvania.
BN172 Suspension Bridge	Over waterway on Strathallen Avenue (MR599) at Northbridge.
BN333 Victoria Bridge	Over Nepean River on Great Western Highway (HW5) at Penrith.
BN415 Windsor Bridge	Over Hawkesbury River on Bridge Street (MR182) Windsor.
BN98 Bentley's Bridge	E/B Bridge, Park Creek. (Channel), Rushcutter's Bay (URBAN)
BN143	Bridge on MR 393, over Flat Rock Creek No. 2, Royal National Park – Flat Rock Creek No. 2
BN291	Northbound Bridge, Over Prospect Creek, at Lansdowne
BN292	Southbound Bridge, Over Prospect Creek, at Lansdowne
BN341 Peats Ferry Bridge	Over Hawkesbury River, Peats Ferry
BN360 lennox bridge	Bridge on Church Street, over Parramatta River, at Parramatta
BN388	Bridge on Showground Road, over Cattai Creek, at Castle Hill
BN592 Gasworks Bridge	On MacArthur Street, over Parramatta River, at Parramatta

1.4.2 Eastern Zone

<i>Bridge Number and Name</i>	<i>Description</i>
BN1461 Gostwyck Bridge	Over Paterson River, Dungog Road near Martins Creek
BN1472 Coorei Bridge	Over Williams River, Stroud Hill Road Dungog

<i>Bridge Number and Name</i>	<i>Description</i>
BN2082 Barrington Bridge	Over Barrington River, Thunderbolts Way Barrington
BN1535 Vacy Bridge	Over Paterson River, Tocal Road Vacy.
BN1481 Morpeth Bridge	Over Hunter River, Phoenix Park Road Morpeth
BN1780 Luskintyre Bridge	Over Hunter River, Luskintyre Road Luskintyre
BN1683 Dunmore Bridge	Over Paterson River, Paterson Road Woodville.
BN1784 Glennies Creek Bridge	Over Glennies Creek, Middle Falbrook Road Middle Falbrook
BN1557 Kayuga Bridge	Over Hunter River, Kayuga Road Muswellbrook
BN3379 Fitzgerald Bridge	Over Hunter River, southbound New England Highway Aberdeen.
BN1527 Beckers Bridge	Over Webbers Creek, Gresford Road Glendon Brook
BN1737 Bulga Bridge	Over Wollombi Brook, Putty Road Bulga
BN1661 Elderslie Bridge	Over Hunter River, Elderslie Road Elderslie.
BN2266 Tabulam Bridge	Over Clarence River, Bruxner Highway Tabulam – 23 tonne limit.
BN2462 Glebe Bridge	Over Richmond River, Dawson Street Coraki
BN2531 Bridge	Over Sportsmans Creek, Bridge Street Lawrence
BN2537 McFarlane Bridge	Over Clarence River, Lawrence Road Maclean.
BN2680 Briner Bridge	Over Upper Coldstream River, east of Ulmarra.
BN2676 Bawdens Bridge	Over Orara River, Old Glen Innes Road Chambigne
BN2581 Korn's Bridge	Over Rous River, Numinbah Road Crystal Creek
BN2594 Colemans Bridge	Over Leycester Creek, Union Street Lismore.
BN2681 Bridge	Over Orara River, Sherwood Creek Road Glenreagh.
BN3140 Fladbury Bridge	Over Severn River, Emmaville Road Glen Innes
BN1015 Abercrombie Bridge	Over Abercrombie River, 67 klm north of Crookwell
BN1185 Wallaby Rocks Bridge	Over Turon River, Hill End Road west of Sofala
BN6396 James Park Bridge	Over Crookwell River, Binda Road north west of Crookwell
BN6675 Lansdowne Bridge	Over Mulwaree Ponds, Bungonia Road Goulburn.
BN6237 New Buildings Bridge	Over Towamba River, New Buildings Road New Buildings.
BN6129 Crankies Plain Bridge	Over Coolumbooka River, Cathcart Road Bombala
BN875 Hampden Bridge	Over Kangaroo River, Moss Vale – Nowra Road, Kangaroo Valley
BN6168 Bridge	Over Wallaga Lake, Bermagui – Tathra Road Wallaga Lake
BN6506 Charleyong Bridge	Over Mongarlowe River, Nerriga Road Charleyong
BN5575 Bethanga Bridge	Over Murray River, Riverina Highway at Hume Weir
BN5947 Towong Bridge	Over Murray River, Towong Road at Towong.
BN5945 Indi Bridge	Over Murray River, Indi Road at Indi
BN5944 Goldsworthy Bridge	Over Murray River, Indi Road at Biggara
BN6637 Prince Alfred Bridge	Over Murrumbidgee River at Gundagai.
BN6633 Wee Jasper Bridge	Over Goodradigbee River, Tumut – Yass Road Wee Jasper
BN6637 Prince Alfred Bridge	Over Murrumbidgee River, Middleton Drive Gundagai
BN713	Bridge Over, Shoalhaven River, South bound at Nowra
BN713	Bridge Over, Shoalhaven River, South bound at Nowra

<i>Bridge Number and Name</i>	<i>Description</i>
BN935	Bridge over Tongarra Creek at Shellharbour
BN3318 Barmah Bridge	Over The Murray River, Near Barmah (Vic)
BN5950 Batemans Bay Bridge	Lift Span Bridge, Over Clyde River, At Batemans Bay
BN5974	Bridge Over, Corunna Lake, Corunna
BN1832 Dennis Bridge	Over Hastings River, 39.83km South of Kempsey
BN1461 Gostwyck Bridge	Paterson River, 23.75 km North of Maitland
BN1519 Redbournberry Bridge	Hunter River, 2.41 km North Singleton

Part 2 – Western Zone

For the purposes of this Part, the NSW Western Zone is that part of the State of New South Wales that is not part of the area declared to be the NSW Urban Zone or Eastern Zone at Part 1 of this Notice. This zone is bounded to the east by a line drawn through Corowa, Culcairn, Boorowa, Molong, Mudgee, Merriwa, Quirindi, Tamworth, Bundarra and Inverell to the Queensland border adjacent to the intersection of the Bonshaw–Emmaville Road and the Bruxner Highway (HW16) east of Bonshaw

2.1 Travel Conditions

Except where otherwise stated, an oversize agricultural vehicle that exceeds 2.5m in width or 22 metres in length must observe the following travel conditions when operating in the NSW Western Zone.

2.1.1 Week day & week end and peak hour travel restrictions

A vehicle must not travel on a road or area listed in the following table contrary to an applicable conditions set out in the table.

<i>Location</i>	<i>Road or area</i>	<i>Travel not permitted</i>
Mildura at Chaffey Bridge	Sturt Highway	If wider than 3.5m – Mon-Sat, 8am to 10am and Mon-Fri, 3pm to 6pm. (Except on Statewide public holidays).
Moama Echuca Bridge	Cobb Highway	If wider than 2.5m – Mon-Fri, 7.30am to 9.30am and Noon to 1pm and 3pm to 6pm. Sat-Sun, 7.30am to 9am and Noon to 1pm.
Wagga Wagga between Smith Street Forest Hill and the Olympic Highway at Moorong	Sturt Highway	If wider than 4.6m – Mon-Fri, 7am – 9.30am and 3.30pm – 6.00pm (Except on Statewide public holidays).
Wagga Wagga between Coolamon Road and Kapooka Bridge	Olympic Highway	If wider than 4.6m – Mon-Fri, 7am – 9.30am and 3.30pm – 6.00pm (Except on Statewide public holidays).
Between Rutherford and Scone	New England Highway	If wider than 2.5m – Mon-Fri, 4.30am and 9.30am and 2.30pm and 7.30pm.

2.1.2 Night travel

- Travel is not permitted between sunset and sunrise.
- Notwithstanding Clause 2.1.2(a) travel is permitted for a distance not exceeding 10 kilometres (road distance) to stop at or to commence from a safe parking area or destination beyond a night travel zone limit between sunset and sunrise. The intent is to provide a 10 kilometre buffer area at the night travel limit boundary where it may not be possible to comply with the zone limit due to a lack of safe parking or the proximity of the destination.

2.1.3 Public holiday periods (including 23 December to 3 January)

- For the purposes of 2.1.3(b) a public holiday period means a period of three or more consecutive days covering a declared NSW state-wide public holiday and adjacent weekend days (for example Easter and every long weekend); or the period between 23 December and 3 January (inclusive).
- Agricultural vehicles operating under this Notice are permitted to travel during public holiday periods on the following roads (a vehicle driving across the road is exempted) in the Western Zone only if they have received Police approval and are accompanied by at least one (1) Pilot:

<i>Travel Restriction applies to</i>
Golden Highway – from Eastern Zone at Merriwa to Dubbo.
Mitchell Highway – from Molong to Dubbo.
Castlereagh Highway – from Eastern Zone at Mudgee to Gilgandra.
Kamilaroi Highway – from Eastern Zone at Quirindi to Narrabri.
Newell Highway – from Tocumwal to Goondiwindi.
Mid Western Highway – from Eastern Zone at Holmwood to Marsden.
Sturt Highway – from Eastern Zone at Borambola to Narrandera.
Riverina Highway – from Eastern Zone at Corowa to Finley.
Oxley Highway – from Eastern Zone at Tamworth to Coonabarabran.
Gwydir Highway – from Eastern Zone at Inverell to Moree.
Burley Griffin Way (MR84) – from Eastern Zone at Harden to the Irrigation Way (MR80) at Yoogali east of Griffith.
Kidman Way (MR321 + MR80) between the Newell Highway 16km north of Jerilderie and the Mid Western Highway at Goolgowi.
Lachlan Valley Way (MR56) Eastern Zone at Boorowa to Cowra.

Note:

1. A public holiday period means a period of three or more consecutive days covering a declared NSW state-wide public holiday and adjacent weekend days (for example Easter and every long weekend); or the period between 23 December and 3 January (inclusive).
2. Some of these listed roads continue into the Eastern Zone.

2.2 Limited Access Locations – Western Zone

- (a) Notwithstanding the dimension limits set out in the Notice, travel on or through a Limited Access Location set out in this part is not permitted if the vehicle exceeds one or more of the limits that applies to a Limited Access Location as set out in this Part.
- (b) A vehicle must be only operated in accordance with any access condition that applies to a Limited Access Location.
- (c) A vehicle which exceeds one or more of the stated dimension limits must apply for and obtain a specific permit before travelling on or in any of the following Limited Access Locations in the NSW Eastern Zone.
- (d) Where a dimension limit states Not Applicable (N/A) the dimension limit set out in the Notice is the applicable dimension.

<i>Location/Road</i>	<i>Dimension Limit (metres)</i>			<i>Location Restriction and Condition of Access</i>
	<i>Width</i>	<i>Height</i>	<i>Length</i>	
Kamilaroi Highway at Gunnedah town centre between Warrabungle Street and Abbott Street.	2.5	N/A	19.0	Use bypass routes via Bloomfield Street or South Street.
Namoi River bridge at Manilla on Fossickers Way	3.5	N/A	N/A	Narrow heritage listed bridge, traffic control required. No overmass vehicles permitted.
Newell Highway at Coonabarabran between Gardener Street and King Street.	3.5	N/A	N/A	Use posted oversize bypass route
Newell Highway (Balo & Frome Streets) at Moree town centre between Racecourse and Gosport Street	3.5	4.3	N/A	Use new bypass or Jones/Edward & Gwydir Streets unless destination in town centre.
Gwydir Highway west of Moree at Grawin Creek Bridge (BN4778)	5.8	N/A	N/A	Use dry weather sidetrack

<i>Location/Road</i>	<i>Dimension Limit (metres)</i>			<i>Location Restriction and Condition of Access</i>
	<i>Width</i>	<i>Height</i>	<i>Length</i>	
Mitchell Highway at Wellington town centre between Maxwell and Gisborne Streets	3.5	N/A	19.0	Use bypass route as posted or via Gisborne, Thornton & Maxwell Streets.
Paytens Bridge over Lachlan River near Bandon	2.5	4.3	19.0	No oversize access
Burley Griffin Way between Binalong and Stockinbingal	2.5	N/A	N/A	Contact Police Southern Region RTC for Pilot requirements before travel. If wider than 5.6m Police Escort required.
Echuca Bridge on Cobb Highway between Moama and Echuca	2.5	N/A	N/A	Time restrictions apply Monday to Saturday, refer to paragraph 2.1 of this section. No overmass permitted.
Barrier Highway at Broken Hill town centre between Menindee Road and Creedon Street.	3.5	N/A	N/A	Bypass using Creedon, Gaffney, Crystal Streets

2.3 Bridge Mass Restrictions – Western Zone

A Vehicle must not operate on the Bridges set out in this part unless the total mass limit of the vehicle does not exceed the lesser of:

- The mass limits prescribed by Schedule 1 of Road Transport (Mass, Loading and Access) Regulation 2005; or
- The applicable total mass limit that applies to a bridge as set out in this part; or
- A mass limit imposed under Section 28 of the Road Transport (General) Act 2005;

<i>Bridge Number and Name</i>	<i>Description</i>
BN2948 Bingara Bridge	Over Halls Creek, Fossickers Way North Bingara
BN2949 Bingara Bridge	Over Gwydir River, Fossickers Way North Bingara
BN3655 Namoi River Bridge	Over Namoi River, Fossickers Way Manilla
BN3137 Bengalla Bridge	Over Dumaresq River, near Queensland border Yetman
BN3763 Bundarra Bridge	Over Gwydir River, Thunderbolts Way Bundarra
BN4050 Cohens Bridge	Over Namoi River, Kelvin Road Gunnedah.
BN4100 Lignum Bridge	Over Lignum Creek, Mid Western Highway east of Marsden – use side track
BN4285 Iron Bridge	Over Lachlan River, Cowra Road Forbes.
BN4659 Paytens Bridge	Over Lachlan River, at Colletts Crossing
BN1304 Beryl Bridge	Over Wialdra Creek, Spring Ridge Road north west of Gulgong
BN4469 Holman Bridge	Over Lachlan River, at Gooloogong on Grenfell – Canowindra Rd
BN4645 Rawsonville Bridge	Over Macquarie River, North Minore Road Minore
BN4658 Waroo Bridge	Over Lachlan River, Hodges Road west of Waroo
BN4660 Scabbing Flat Bridge	Over Macquarie River, Ponto Road Geurie.
BN3970 Iron Bridge	Over Namoi River, Boggabri to Manilla Road north of Boggabri.
BN5149 Abbotsford Bridge	Over Murray River, Silver City Highway at Curlwaa.
BN3244 Tooleybuc Bridge	Over Murray River, Kyalite Road at Tooleybuc
BN3377 Nyah Bridge	Over Murray River, Nyah Road at Nyah
BN3375 Gonn Crossing	Over Murray River, Murrabit Road at Gonn Crossing

<i>Bridge Number and Name</i>	<i>Description</i>
BN3215 Swan Hill Bridge	Over Murray River, McCallum Street at Swan Hill
BN3256 Koondrook Bridge	Over Murray River, Thule Street at Barham.
BN3184 Echuca Bridge	Over Murray River, Cobb Highway Echuca – Moama
BN5819 Mulwala Bridge	Over Murray River, Yarrawonga Road at Mulwala
BN3220 Jacksons Bridge	Over Lachlan River, Mossgiel Road Hillston
BN3315 Coonamit Bridge	Over Wakool River, Moulamein Road Swan Hill
BN3336 Oxley Bridge No. 2	Over Lachlan River, Oxley Road Oxley west of Hay.
BN3335 Oxley Bridge No. 1	Over Lachlan River, Oxley Road Oxley west of Hay
BN3248 Carrathool Bridge	Over Murrumbidgee River, south of Carrathool
BN3235 Gee Gee Approach Bridge	Over Wakool River North, Swan Hill – Barham Road Weetuppa
BN3237 Gee Gee Bridge	Over Wakool River North, Swan Hill – Barham Road Weetuppa

Part 3 – Contacts

3.1 Police



NSW Police Regional

<i>Region</i>	<i>Phone</i>	<i>Email</i>
Northern	(02) 4929 0060	nthrtc@police.nsw.gov.au
Southern	(02) 4226 7811	southload@police.nsw.gov.au
Western	(0429) 835 457	westload@police.nsw.gov.au

NSW Police Sydney Metropolitan

<i>Region</i>	<i>Phone</i>	<i>Email</i>
Central	(02) 9265 4920	rtccm@police.nsw.gov.au
Northwest	(02) 9689 7638	rtcnmw@police.nsw.gov.au
Southwest	(02) 8700 2436	rtcswm@police.nsw.gov.au

3.2 Electricity Supply Authorities

<i>Distributor</i>	<i>Phone</i>	<i>Fax</i>
Energy Australia	131 525	(02) 9269 2830
Integral Energy	131 081	(02) 9853 6000
Australian Inland Energy	(08) 8080 2444	(08) 8080 2420
Essential Energy	(02) 6933 5823	(02) 6933 5937
ACT Electricity & Water	(02) 6248 3111	(02) 6249 7237

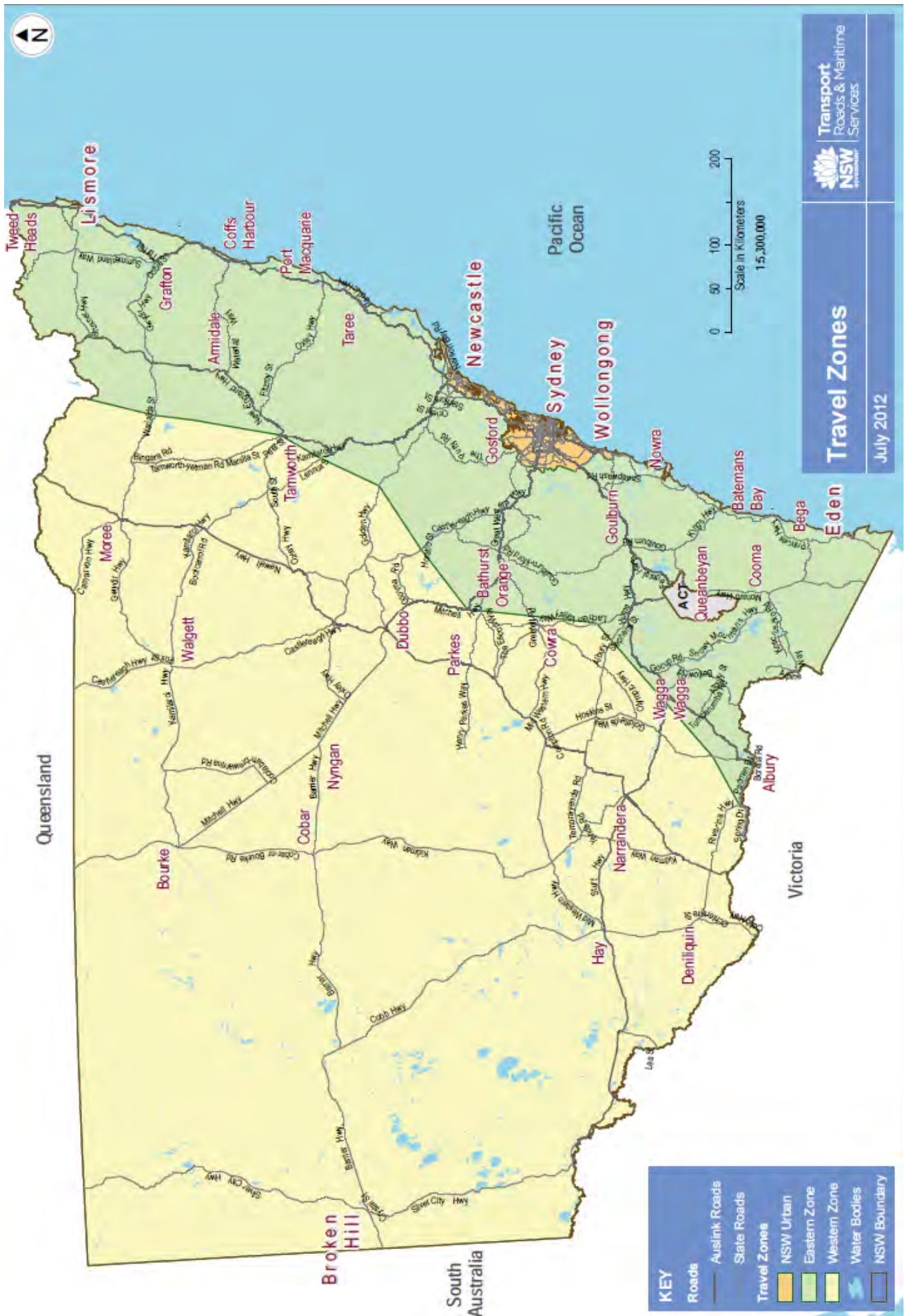
3.3 NSW Local Government

To contact a local authority such as a Council for access on or through their area (roads and bridges), you can search and find all Councils using the address search tool on the Division of Local Government web site at –

http://www.dlg.nsw.gov.au/dlg/dlghome/dlg_SuburbLookup.asp?mi=0&ml=7&ba=b







ROADS AND MARITIME SERVICES

Class 1 Load Carrying Vehicles Notice 2012

I, Peter Duncan, Chief Executive, Roads and Maritime Services, pursuant to Clause 12 of the Road Transport (Mass, Loading and Access) Regulation 2005 (the "Regulation"), exempt vehicles to which this Notice applies from the mass and dimension requirements prescribed in Schedule 1 to the Regulation, subject to the conditions set out in the Schedule to this Notice.

PETER DUNCAN,
Chief Executive,
Roads and Maritime Services

SCHEDULE**Explanatory Note**

This Notice replaces the General Class 1 Oversize (Load Carrying Vehicles) Notice 2007, that was published on 3 August 2007 in *NSW Government Gazette* No. 98 at pages 5509 – 5553 and all amendments made to that Notice.

PART 1 – PRELIMINARY**1.1 Citation**

This Notice is the Class 1 Load Carrying Vehicles Notice 2012.

1.2 Commencement

This Notice has effect on and from 1 August 2012.

1.3 Effect

This Notice remains in force up to and including 31 July 2017 unless it is repealed earlier.

1.4 Interpretation

1.4.1 Unless stated otherwise in this Notice, words and expressions used in this Notice have the same meaning as those defined in the Road Transport (General) Act 2005.

1.4.2 Unless otherwise stated notes and diagrams in this Notice do not form part of the Notice.

PART 2 – APPLICATION OF NOTICE**2.1. Vehicles this Notice Applies to**

2.1.1 This Notice applies to a heavy vehicle or heavy combination (including a low loader or load platform combination) and:

- (a) is specially designed for the carriage of a large indivisible item, or is carrying a large indivisible item, and
- (b) together with any load exceeds a dimension or a mass limit as prescribed in Schedule 1 of the Regulation or the Road Transport (Vehicle Registration) Regulation 2007.

2.2. Vehicles this Notice Does Not Apply to

2.2.1 This Notice does not apply to:

- (a) a special purpose vehicles.
- (b) agricultural machines, agricultural implements or agricultural combinations.
- (c) a vehicle or combination:
 - (i) that is a road train or B-double, or
 - (ii) that is carrying a loaded or empty freight container designed for multi-modal transport.

PART 3 – DIMENSION**3.1 Dimension Limits**

3.1.1 Subject to a 5.2 a vehicle or combination operating under this Notice must not exceed the dimension limits specified in Schedule 2 to the Regulation as set out in Table 1 of this Notice

3.1.2 Except where provided in Table 1 of this Notice the vehicle must comply with the dimensions specified in the Road Transport (Vehicle Registration) Regulation 2007.

Note: Any flags, lights or mirrors required on a vehicle, combination or load must be disregarded when measuring the dimensions of a vehicle or combination for the purposes of this Notice.

3.1.3 The centre lines of adjacent axles in an axle group on an overmass vehicle or combination must be at least 1.2 m apart.

Table 1: Maximum dimension limits

<i>Vehicle</i>	<i>Height</i>	<i>Width</i>	<i>Length</i>	<i>Rear Overhang Limit</i>
Loaded rigid motor vehicle	4.6m	3.5m	12.5m	Lesser of 3.7m or 60% of wheel base
Loaded combination consisting of a prime mover and a semi-trailer	4.6m	3.5m	25.0m	Lesser of 5.5m or 25% of trailer length
Loaded rigid vehicle and trailer combination	4.6m	3.5m	19.0m	Lesser of 3.7m or 60% of wheel base
Unloaded articulated low loader	4.6m	2.5m	25.0m	Lesser of 3.7m or 60% of wheel base
Unloaded articulated low loader with 8 tyres per axle	4.6m	2.7m	25.0m	Lesser of 3.7m or 60% of wheel base

Note:

- (a) If a load can be safely loaded in more than one way, it must be loaded in a way that minimises the width of the vehicle or combination and its load.
- (b) An unladen low loader, low loader dolly or jinker, with 4 tyres on each axle, must not be wider than 2.5 m.
- (c) An unladen low loader, low loader dolly or jinker, with 8 tyres on each axle, must not be wider than 2.7 m.

PART 4 – MASS**4.1. Mass limits**

4.1.1 Notwithstanding the mass limits set out in this Part;

- (a) the total mass of a vehicle and any load must not exceed the vehicle's GVM; and
- (b) the axle load must not exceed the limit set by its manufacturer.

4.1.2 The mass on a single axle or axle group described in Table 2 must not exceed the mass limit specified opposite its description in the Table if it is a combination consisting of a tandem drive prime mover towing:

- (a) a low loader, or
- (b) a low loader dolly and a low loader, or
- (c) a jinker, or
- (d) a low loader dolly and a jinker.

Table 2

<i>Single axle or axle group</i>	<i>Mass limit (tonnes)</i>
Steer axle with 2 tyres	6.0
Twinsteer axle group without a load-sharing suspension system	10.0
Twinsteer axle group with a load-sharing suspension system	11.0
Single axle with 8 tyres	12.0
Tandem axle group with 8 or more tyres, not on a trailer	18.5
Tandem axle group with 8 or more tyres, on a trailer	18.5
Tandem axle group with 16 or more tyres, on a trailer	21.0
Tri-axle group with 12 or more tyres	25.0
Oversize tri-axle group with 12 or more tyres or quad axle group with 16 or more tyres	27.0

Note: An oversize tri-axle group means a group of 3 axles in which the horizontal distance between the centre lines of the outermost axles is more than 3.2 m.

4.1.3 When laden, if a low loader dolly is included in the combination the drive axle group must be at least 14 tonne.

- 4.1.4 The sum of the mass on each of the combination's single axles and axle groups must not exceed the sum of the mass limits specified for each of them in Table 2.
- 4.1.5 In addition, the total mass of the combination and any load must not exceed:
- 49.5 tonnes if the distance between the centre-line of the rearmost axle of the towing vehicle and the centre-line of the foremost axle of the combination's rear axle group is 6 m or more, or
 - 49.5 tonnes decreased by 1 tonne for every 0.3 m by which the distance referred to in paragraph (a) is less than 6 m.
- 4.1.6 The mass on an axle group or single axle must not exceed the relevant limit set by Schedule 1 to the Regulation if it is:
- not described in Table 2, or
 - on a load-carrying vehicle or combination except one described in subclause 4.1.2.

4.2 Mass limits relating to tyre width

- 4.2.1 In order to travel at the mass limits identified in Table 2, the applicable tyre width limits in Table 3 and Table 4 must be met.
- 4.2.2 Notwithstanding axle mass limits set out in Table 3 and Table 4, the steer axle mass must not exceed the steer axle mass set out in Table 2.
- 4.2.3 The mass on an axle fitted with tyres of a number and width described in Table 3 must not exceed the mass limit specified in the Table for that axle in relation to the narrowest tyre on the axle.

Table 3

<i>Tyre width of the narrowest tyre on the axle (mm)</i>		<i>Mass limit if the axle has 2 tyres (tonnes)</i>	<i>Mass limit if the axle has 4 tyres (tonnes)</i>
<i>at least</i>	<i>but less than</i>		
190	228	4.5	9.0
228	254	5.0	9.5
254	279	6.0	10.0
279	305	6.5	11.0
305	330	7.0	12.0
330	356	7.5	13.0
356	381	8.0	14.0
381	406	9.0	14.0
406	458	10.0	14.0
458	508	11.0	14.0
508		12.0	14.0

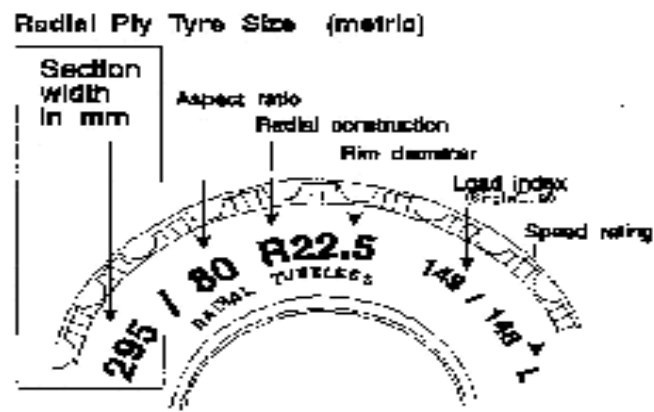
- 4.2.4 The mass on an axle group fitted with tyres of a number and width described in Table 4 must not exceed the mass limit specified in the Table for that axle group in relation to the narrowest tyre in the group.

Table 4

<i>Tyre width of the narrowest tyre on the axle (mm)</i>		<i>Mass limit if the axle has 2 tyres (tonnes)</i>	<i>Mass limit if the axle has 4 tyres (tonnes)</i>
<i>at least</i>	<i>but less than</i>		
381	406	16.5	22.0
406	431	17.0	23.0
431	458	17.5	24.0
458	482	18.0	25.0
482	508	18.5	26.0
508		19.0	27.0

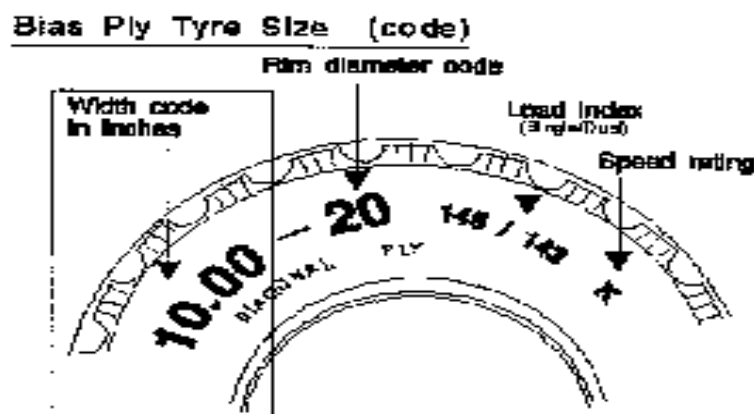
Note:

For the purpose of Tables 3 and 4, the tyre width of a radial ply tyre is the number of millimetres marked on the tyre in the position labelled "Section width in mm" on the diagram below.



Position of section width marking on radial ply tyre

For the purpose of Tables 3 and 4, the tyre width of a bias-type tyre is the number of millimetres equal to 25.4 times the number marked on the tyre in the position labelled "Width code in inches" on the diagram below.



Position of width code marking on diagonal or bias type tyre

If no section width or width code is marked on a tyre, the tyre width for the purposes of Tables 3 and 4 may be determined by measuring the width of the part of the tyre that normally comes into contact with the road surface.

PART 5 – MISCELLANEOUS

5.1 Operating Conditions:

- 5.1.1 A copy of this Notice (excluding the APPENDICES), must be carried in the driving compartment whenever the heavy combination is operating under this Notice and must be produced when the driver is requested to do so by a police officer or an authorised officer.
- 5.1.2 A heavy combination operating under this Notice must comply with the conditions set out in Appendix 1 of this Notice.

5.2 Approved Routes

- 5.2.1 An Oversize vehicle must only operate on an approved route or zone, as set out in Appendix 2 of this Notice and in accordance with any applicable travel conditions.
- 5.2.2 Notwithstanding the dimension limits set out in the Notice, travel on or through a limited access location is not permitted if the vehicle exceeds one or more of the limits that applies to a Limited Access Location as set out in this Appendix 2 of this Notice.
- 5.2.3 In addition to clause 5.2.1, a vehicle that exceeds 4.3 metres, but not 4.6 metres in height must only be operated on routes approved for 4.6 metre high vehicles as set out in the current 4.6 Metre High Vehicle Notice 2008.
- 5.2.4 An Overmass vehicle is not permitted to travel on:
 - (a) mass restricted bridges set out in Appendix 2 of this Notice; or
 - (b) on any road or bridge that has a mass limit imposed under Section 28 of the Road Transport (General) Act 2005.

5.2.5 Overmass and Oversize vehicles operating under this Notice must:

- (a) only be operated in or on an approved travel zone or route as set out in Appendix 2 and in accordance with travel conditions that apply to a route or zone as set out in Appendix 2; and
operate in accordance with Clause 5.2.3 if the vehicle exceeds 4.3 metres in height; and
- (b) must not operate on:
 - (i) a mass restricted bridge set out in Appendix 2 of this Notice; or
 - (ii) any road or bridge that has a mass limit imposed under Section 28 of the Road Transport (General) Act 2005.

CLASS 1 LOAD CARRYING VEHICLES NOTICE 2012

Appendix 1 – Conditions For Oversize And Overmass Load Carrying Vehicles

A vehicle operating under the Class 1 Load Carrying Vehicles Notice 2012 must comply with the applicable conditions which are set out in this appendix.

For the purposes of this Appendix a major road is a major road is defined as a classified road which means any of the following:

- (a) a main road,
- (b) a highway,
- (c) a freeway,
- (d) a controlled access road,
- (e) a secondary road,
- (f) a tourist road,
- (g) a tollway,
- (h) a transit way,
- (i) a State work.

Part 1 CONDITIONS FOR OVERSIZE AND OVERMASS VEHICLES

1.1 Making an unloaded vehicle smaller

(Clause 3, Schedule 2 Road Transport (Mass, Loading and Access) Regulation 2005)

An oversize vehicle without a load must be reduced to the smallest practicable dimensions, with any booms fully retracted.

1.2 Warning devices for oversize vehicles

(Clause 4, Schedule 2 Road Transport (Mass, Loading and Access) Regulation 2005)

1.2.1 An oversize vehicle or combination, together with any load, that is wider than 2.5 m, or longer than 25 m, must have:

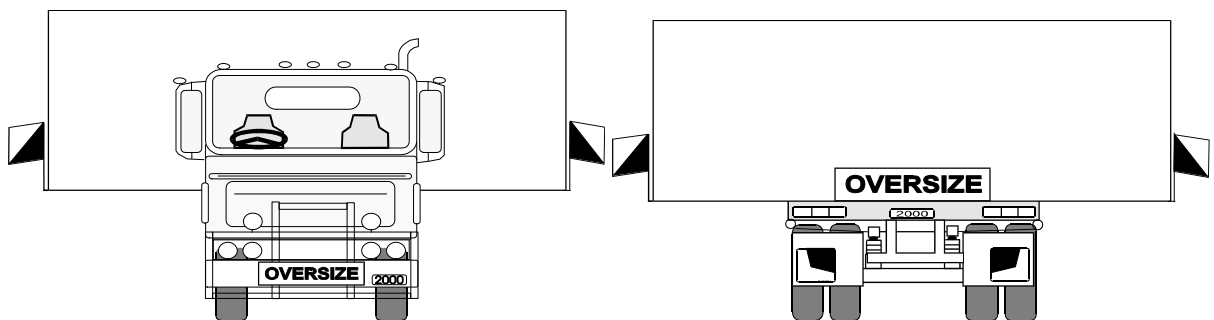
- (a) one warning sign at its front, and
- (b) one warning sign at its rear or, if it is carrying a rear-projecting load, at the rear of the load, and
- (c) 4 brightly coloured red, yellow, or red and yellow, flags, each at least 450 mm long and at least 450 mm wide.

1.2.2 One of the flags must be positioned:

- (a) at each side of the front and rear of any projecting load, or
- (b) if there is no projecting load, at each side of the front and rear of the vehicle or combination.

1.2.3 An oversize vehicle or combination that, together with any load, is not wider than 2.5 m, and whose length is more than 22 m but not more than 25 m, must have one warning sign at its rear or, if it is carrying a rear-projecting load, at the rear of the load.

1.2.4 Subclauses 1.2.1, 1.2.2 and 1.2.3 do not apply to a road construction vehicle or combination travelling within 1 km of a construction site, if the vehicle has a warning light.



1.2.5 If a load projects more than 150 mm beyond one side of an oversize vehicle or combination, and the projection is less than 500 mm thick from top to bottom, there must be:

- (a) a warning light attached to the vehicle or combination, and
- (b) at least two yellow, rigid pieces of material (in this clause called delineators), one attached to the front and the other attached to the rear of the projection.
- (c) If the load projects more than 150 mm beyond both sides of the vehicle there must be at least 4 delineators— at least one on each side at the front and at least one on each side at the rear.

- 1.2.6 A delineator must:
- (a) be at least 300 mm long and at least 300 mm wide, and
 - (b) comply with Class 1 or 2 of Australian/New Zealand Standard AS/NZS 1906.1:1993, Retroreflective materials and devices for road control purposes, as amended and in force at the commencement of this Regulation, and
 - (c) if at the front of the projection, be attached so that its reflective surface is facing forward of the vehicle, and
 - (d) if at the rear of the projection, be attached so that its reflective surface is facing rearward from the vehicle.
- 1.2.7 In the daytime, an oversize vehicle or combination must display a warning light if the vehicle, together with any load, is wider than 3 m.

Note: Parts 4 and 5 set out requirements for warning lights and signs.

In addition to the requirements in this clause, any load projecting more than 1.2 m behind the vehicle must display warning flags in the daytime, in accordance with Schedule 1 of the Regulation.

1.3 Additional warning devices at night

(Clause 5, Schedule 2 Road Transport (Mass, Loading and Access) Regulation 2005)

1.3.1 At night, an oversize vehicle or combination must display:

- (a) lights showing yellow to the front and red to the rear (known as side markers) no more than 2 m apart along both sides of the vehicle and along any front or rear projection, and
- (b) two red lights (known as rear markers) fixed to the rear of any rear-projecting load, within 400 mm of each side of the load, and at least 1 m but not more than 2.1 m above the ground, and
- (c) a warning light if the vehicle or combination, together with any load, is wider than 2.5 m or longer than 22 m.

1.4 Headlights

(Clause 6, Schedule 2 Road Transport (Mass, Loading and Access) Regulation 2005)

An oversize vehicle, or the front vehicle in an oversize combination, must have its low-beam headlights on while travelling in the daytime, unless it is not required under the Road Transport (Vehicle Registration) Regulation 2007 to have headlights.

1.5 Travel restrictions at night

(Clause 7, Schedule 2 Road Transport (Mass, Loading and Access) Regulation 2005)

Refer to Appendix 2 night travel restrictions.

1.6 No travelling if low visibility

(Clause 8, Schedule 2 Road Transport (Mass, Loading and Access) Regulation 2005)

- 1.6.1 A vehicle or combination must not begin to travel if, due to circumstances such as fog, heavy rain, smoke, dust or insect plague:
- (a) visibility is less than 250 m in the daytime, or
 - (b) the headlights of a vehicle approaching within 250 m could not be seen at night.
- 1.6.2 If a vehicle or combination is already travelling when visibility is reduced to the level described in subclause (1), the driver must drive it into the nearest safe parking area, and wait until visibility improves beyond that level before continuing to travel.

1.7 Minimum following distance

(Clause 9, Schedule 2 Road Transport (Mass, Loading and Access) Regulation 2005)

- 1.7.1 A person driving an oversize vehicle or combination must maintain a distance of at least 200 m from an oversize vehicle or combination travelling in front of it, unless:
- (a) it is overtaking the front one, or the front one is stopping, or
 - (b) there is a separate lane available for the use of overtaking traffic, or
 - (c) it is in an urban area and it is not reasonably practicable to maintain a distance of 200 m.

1.8 Assessing routes

(Clause 10, Schedule 2 Road Transport (Mass, Loading and Access) Regulation 2005)

- 1.8.1 Before a vehicle or combination is driven along any route, its driver and owner must be satisfied that the route has been assessed and that the vehicle or combination can be driven along it without contravening subclause (2).
- 1.8.2 A vehicle or combination must not be driven along a route if to do so would be likely to cause:
- (a) disruption to telecommunication, electricity, rail, gas, water or sewage services, or
 - (b) damage to a road (including a bridge), structure, rail crossing or tree.

- 1.8.3 Subclause 1.8.2 does not apply if the authority responsible for the services or property has given permission for the vehicle or combination to travel along the route, and the vehicle or combination is driven in accordance with the permission.

1.9 Allowing Vehicles to Overtake

If traffic banks up behind an oversize vehicle, its operator must move the vehicle to the side of the road, and if necessary, stop as soon as it is safe to do so to allow following vehicles to overtake.

Part 2 – Conditions for Load Carrying Oversize and Overmass Vehicles

2.1 Minimising width

(Clause 13, Schedule 2 Road Transport (Mass, Loading and Access) Regulation 2005)

- 2.1.1 If a load can be safely loaded in more than one way, it must be loaded in a way that minimises the width of the vehicle or combination and its load.
- 2.1.2 An unladen low loader, low loader dolly or jinker, with 4 tyres on each axle, must not be wider than 2.5 m.
- 2.1.3 An unladen low loader, low loader dolly or jinker, with 8 tyres on each axle, must not be wider than 2.7 m.

2.2 Carrying goods in addition to a large indivisible item

(Clause 14, Schedule 2 Road Transport (Mass, Loading and Access) Regulation 2005)

- 2.2.1 A vehicle or combination must not carry more than one large indivisible item unless:
- (a) the vehicle or combination and its load complies with the mass limits in Schedule 1 to the Regulation, and
 - (b) the carrying of additional large indivisible items does not cause the vehicle or combination and its load to exceed a dimension limit in Schedule 1 that would not have been exceeded by the carrying of one of the large indivisible items.
- 2.2.2 A vehicle or combination carrying one or more large indivisible items must not carry any other goods unless:
- (a) the vehicle or combination and its load complies with the mass limits in Schedule 1 to the Regulation, and
 - (b) the other goods are contained within the dimension limits in Schedule 1 to the Regulation.
- 2.2.3 Despite subclause 2.2.2, a vehicle or combination carrying a special purpose vehicle or agricultural vehicle may also carry any equipment, tools, substances or detached parts to be used in conjunction with the vehicle being carried.

2.3 Towing a low loader dolly with an unladen low loader

(Clause 15, Schedule 2 Road Transport (Mass, Loading and Access) Regulation 2005)

- 2.3.1 An unladen low loader must not be towed in a combination with a low loader dolly unless:
- (a) the combination is 2.5 m wide or less, and
 - (b) it would be unreasonable to require the dolly to be loaded onto the low loader because of the short distance to be travelled, or special difficulties in loading or unloading the dolly due to the nature of the site.
- 2.3.2 For the purpose of clause 2.3.1 (b), a short distance under this notice is 25km or less.

Part 3 – Pilot and Escort vehicle requirements

Note: The responsibility of a pilot vehicle are to provide advance warning to approaching traffic, and to be positioned to give adequate warning to other road users. In some instances, more than one pilot vehicle will be needed to meet these responsibilities.

3.1 Pilot vehicle requirements

(Part 5, Schedule 2 Road Transport (Mass, Loading and Access) Regulation 2005)

- 3.1.1 A pilot vehicle must have 4 or more wheels and a GVM of:
- (a) 6.5 tonnes or less in the case of a rear pilot vehicle if two pilot vehicles are required, or
 - (b) 4.5 tonnes or less in any other case.
- 3.1.2 A pilot vehicle must have a warning sign on its roof.
- 3.1.3 A pilot vehicle must only have a warning light attached:
- (a) above or below the sign, or
 - (b) each side of the sign.

Note: Refer to Part 4 – Warning Lights for requirements of a warning light.

3.2 Requirements for an escort vehicle

- 3.2.1 An escort vehicle other than a police motor cycle must have:
- (a) 4 or more wheels, and
 - (b) A GVM of 4.5 tonnes or less, and
 - (c) On its roof a light that flashes or 2 lights that flash when switched on.

3.2.2 A light referred to in 3.2.1 must flash yellow unless the vehicle is a police vehicle or a vehicle belonging to an Authority and the light is of a colour approved under Schedule 2 to the Road Transport (Vehicle Registration) Regulation 2007.

3.3 Headlights on a pilot or escort vehicle

The low-beam headlights on a pilot vehicle or escort vehicle must be switched on when it is accompanying an oversize vehicle or combination during the daytime.

3.4 What may a pilot or escort vehicle carry?

A pilot or escort vehicle must not tow a trailer or carry a load, but it may carry tools, equipment or substances for use in connection with the oversize vehicle or combination that it is accompanying or for restraining the load on that vehicle or combination.

3.5 Where must a pilot or escort vehicle be driven?

3.5.1 When 1 pilot vehicle accompanies an oversize vehicle or combination, the pilot vehicle must travel:

- (a) Behind the oversize vehicle or combination if they are on a divided road, or
- (b) In front of the oversize vehicle or combination if they are on a road that is not divided.

3.5.2 When 2 pilot vehicles accompany an oversize vehicle or combination, one pilot vehicle must travel in front of the oversize vehicle or combination, and the other behind it.

3.5.3 A pilot vehicle must travel far enough away from the oversize vehicle or combination it is accompanying to give adequate warning to other road users of the presence of the oversize vehicle or combination, taking into account traffic speed, weather, visibility and other driving conditions.

3.6 Communication between drivers

3.6.1 An oversize vehicle or combination and any accompanying pilot or escort vehicle must have an electronic device that allows the drivers to communicate effectively with each other.

3.6.2 Subclause 3.6.1 does not apply to:

- (a) an oversize agricultural machine, or
- (b) an oversize combination that includes an agricultural machine, or
- (c) an escort vehicle that is a police vehicle.

Part 4 – Warning Lights

(Part 6, Schedule 2 Road Transport (Mass, Loading and Access) Regulation 2005)

4.1 Characteristics of warning lights

4.1.1 When switched on, a warning light on an oversize vehicle or combination or pilot vehicle must:

- (a) Emit a rotating, flashing, yellow coloured light, and
- (b) Flash between 120 and 200 times a minute, and
- (c) Have a power of at least 55 watts, and
- (d) Not be a strobe light.

4.2 Visibility of warning lights

4.2.1 A warning light on an oversize vehicle or combination or a pilot or escort vehicle must be:

- (a) Clearly visible at a distance of 500 m in all directions, or
- (b) Supplemented by one or more additional warning lights so that the light emanating from at least one of them is clearly visible at a distance of 500 m in any direction.

4.2.2 Despite subclause 4.2.1, in the case of a pilot vehicle travelling in front of an oversize vehicle or combination, a filter may be placed behind the warning light on the pilot vehicle, to reduce the intensity of the light directed to the driver of the oversize vehicle or combination.

4.3 Warning lights to be on if required, and off if not

4.3.1 Any warning light which an oversize vehicle or combination or pilot vehicle is required to have must only be switched on when the vehicle or combination is travelling or is stationary in a position that is likely to cause danger to other road users.

4.3.2 Any warning light which a pilot or escort vehicle is required to have must be switched on when the vehicle is travelling and accompanying an oversize vehicle or combination.

4.3.3 If a vehicle or combination is not required under the Regulation to have a warning light, it must not have one that is switched on.

Part 5 – Warning Signs

(Part 7, Schedule 2 Road Transport (Mass, Loading and Access) Regulation 2005)

5.1 What specifications must a warning sign comply with?

A warning sign must comply with the specifications in this Part (5) if it is on an oversize vehicle or combination or a pilot vehicle.

5.2 Face of a warning sign

5.2.1 The face of a warning sign must have a yellow surface that complies with Class 1 or 2 of Australian/New Zealand Standard AS/NZS 1906. One:1993, Retro-reflective materials and devices for road control purposes, as amended and in force at the commencement of this Regulation, Parts 1–4 (inclusive).

5.2.2 The face of the warning sign must have a black border at least 20 mm wide.

5.2.3 The outermost edge of the border must be set at least 10 mm in from the edge of the sign unless the sign has been made with a box edge.

5.2.4 The warning sign must display the sign manufacturer's name or logo, and the brand and class of retro-reflective material used, in block letters not less than 3mm and not more than 10 mm high.

5.2.5 The marking may appear in any visible location on the sign, except in a bottom corner of a sign used on a pilot vehicle.

5.3 Material for a warning sign

5.3.1 A warning sign must be made of stiff, flat, weatherproof material.

Note: Zinalume at least 0.8 mm thick and aluminium at least 1.6 mm thick are examples of material that would comply with 5.3.1.

5.3.2 Despite 5.3.1, a warning sign may be made of a flexible material if the sign is mounted in such a way that it is held taut and unlikely to furl, become dislodged from its position or otherwise become difficult to read by other road users.

5.3.3 A flexible warning sign must comply with all other requirements of this Part as if it were a stiff sign.

5.3.4 A warning sign must be kept in such a condition that its message can be easily read by other road users.

5.4 Keeping signs clean

A warning sign on a vehicle must be kept clean enough so that it can be easily read by other road users.

5.5 Warning sign must not be displayed if not required

A warning sign must not be displayed on a vehicle or combination that is not operating oversize or as a pilot vehicle.

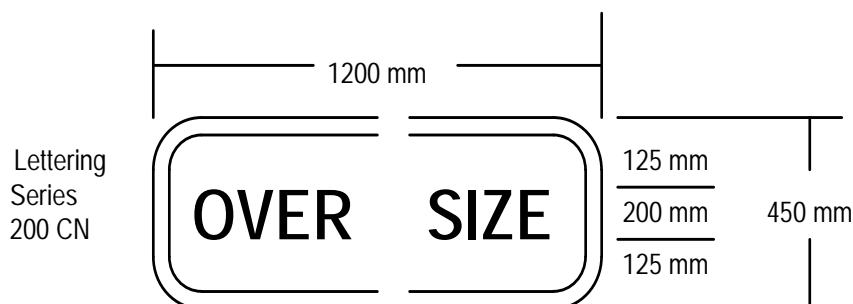
Part 6 – Oversize Vehicles Only

(Division 3, Schedule 2 Road Transport (Mass, Loading and Access) Regulation 2005)

6.1 Size of a warning sign

6.1.1 A warning sign on an oversize vehicle or combination must be at least 1200 mm long and at least 450 mm high.

6.1.2 The sign may be split into two parts, in which case the combined length of its parts must be at least 1200 mm.



6.2 Face of a warning sign

6.2.1 A warning sign on an oversize vehicle or combination must show the word “OVERSIZE”, in black upper-case lettering, conforming with Australian Standard AS 1744—1975, *Forms of letters and numerals for road signs*, in typeface Series 200 C(N).

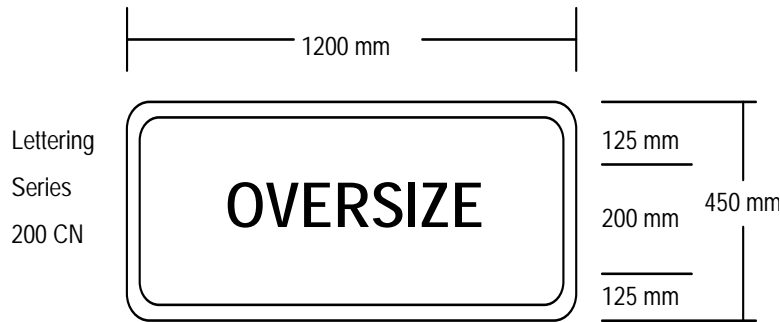
6.2.2 The lettering must be at least 200 mm high.

6.2.3 The top and the bottom of the lettering must be at least 125 mm from the top and bottom of the sign, respectively.

6.2.4 If the sign is split into two parts:

(a) The part mounted on the left must show the letters “OVER” and the part mounted on the right must show the letters “SIZE”, and

(b) There must be no border between the two parts, despite subclauses 6.2.1 and 6.2.2.



6.3 Mounting a warning sign

6.3.1 A warning sign on an oversize vehicle or combination must be mounted vertically.

6.3.2 The lower edge of the sign must be:

- (a) Above the bottom of the bumper bar, or
- (b) If there is no bumper bar—at least 500 mm from the ground level.
- (c) No part of a warning sign may be higher than 1.8 metres above the ground.

6.3.3 If the sign is split into two parts, each part must be fitted at the same height as the other.

Part 7 – Pilot Vehicles Only

(Division 4, Schedule 2 Road Transport (Mass, Loading and Access) Regulation 2005)

7.1 Size and shape of a warning sign

7.1.1 A warning sign on a pilot vehicle must be at least 1200 mm long and at least 600 mm high.

7.1.2 The sign may have bottom corner cut-outs not more than 150 mm wide and not more than 100 mm high if they are needed for mounting the warning lights.

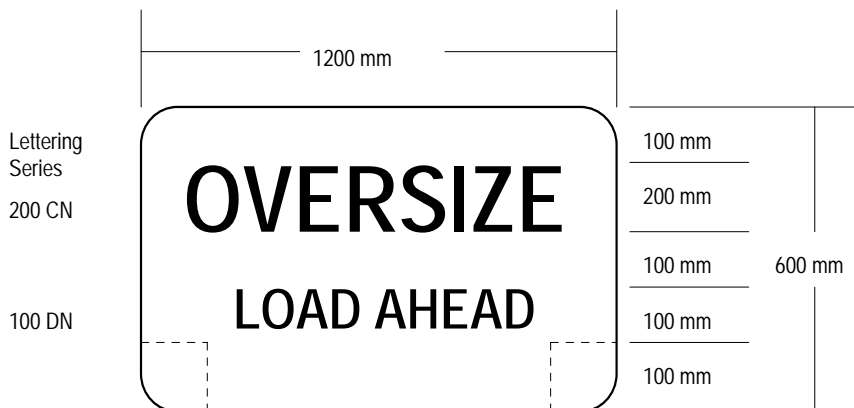
7.2 Faces of a warning sign

7.2.1 Both faces of a warning sign on a pilot vehicle must show:

- (a) The word “OVERSIZE”, in black upper-case lettering at least 200 mm high, conforming with Australian Standard AS 1744—1975, Forms of letters and numerals for road signs, in typeface Series 200 C(N), and
- (b) The words “LOAD AHEAD”, in black upper-case lettering at least 100 mm high, conforming with Australian Standard AS 1744—1975, Forms of letters and numerals for road signs, in typeface Series 100 D(N).

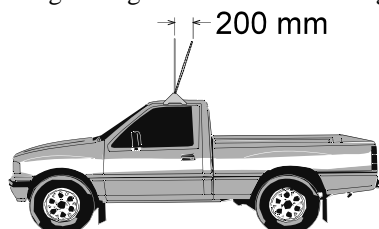
7.2.2 The bottom of the lettering of the word “OVERSIZE” must be at least 300 mm from the bottom of the sign.

7.2.3 The bottom of the lettering of the words “LOAD AHEAD” must be at least 100 mm from the bottom of the sign.



7.3 Mounting a warning sign

A warning sign on a pilot vehicle must not lean back so that there is more than 200 mm measured horizontally from the top of the sign to a vertical line running through the bottom of the sign.



Part 8 Interpretation

(Part 8, Schedule 2 Road Transport (Mass, Loading and Access) Regulation 2005)

8.1 References to vehicles and combinations

In this Notice:

- (a) A reference to a vehicle or combination is a reference to a vehicle or combination that is oversize or overmass or both, and
- (b) A reference to an oversize vehicle or oversize combination is a reference to a vehicle or combination that is oversize or oversize and overmass, and
- (c) A reference to an overmass vehicle or combination is a reference to a vehicle or combination that is overmass, or overmass and oversize.

8.2 Measuring distances between parallel lines

In this Notice a reference to a distance between 2 lines that are parallel means the distance measured at right angles between the lines.

8.3 Application to retractable axles

For the purposes of this Notice, a retractable axle must be taken to be an axle when it is in the lowered position and must be taken not to be an axle when it is in the raised position.

CLASS 1 LOAD CARRYING VEHICLE NOTICE 2012

Appendix 2 – Approved Travel Times, Zones and Travel Conditions

Part 1 – NSW Urban Zone

For the purposes of this Part the NSW Urban Zone is defined as the area bounded by and including the named roads,

- the Pacific Ocean and the North Channel of the Hunter River, then north from Stockton bridge along
- Nelson Bay Road (MR108) to Williamtown, then west along
- Cabbage Tree Road (MR302) to Masonite Road near Tomago, then along
- Masonite Road to the Pacific Highway (HW10) at Heatherbrae, then south along the
- Pacific Highway (HW10) to Hexham, then west along the
- New England Highway (HW9) to Weakleys Drive Thornton, then south along
- Weakleys Drive to the Sydney-Newcastle Freeway (F3) at Beresfield, then along the
- F3 Freeway to the Hawkesbury River bridge, then along the
- Hawkesbury River and the Nepean River to Cobbity, then a line drawn south from
- Cobbity to Picton, then via
- Picton Road and Mount Ousley Road (MR95) to the start of the F6 Freeway at Mount Ousley, then via the
- F6 Freeway to the Princes Highway at West Wollongong, then the
- Princes Highway and Illawarra Highway to Albion Park with a branch west on West Dapto Road to Tubemakers, then
- Tongarra Road to the Princes Highway, then
- Princes Highway south to the intersection of South Kiama Drive at Kiama Heights.

1.1 Travel Conditions

Except where otherwise stated, an oversize load carrying vehicle that exceeds 2.5m in width or 22 metres in length must observe the following travel conditions when operating in the NSW Urban Zone.

1.1.1 Clearway and transit lane travel

A vehicle operating under this Notice that is wider than 2.5 metres or longer than 22 metres must not travel on Clearways or Transit Lanes in the NSW Urban Zone between the hours of 6.00am and 10.00am and between the hours of 3.00pm and 7.00pm when clearway or transit lane restrictions apply.

1.1.2 Peak hour travel

A vehicle operating under the Class 1 Load Carrying Vehicle Notice that is wider than 2.5 metres or longer than 22 metres must not travel within the NSW Urban Zone on any classified State road Monday to Friday (except on a state-wide public holiday) between 7.00am and 9.00am or between 4.00pm and 6.00pm.

1.1.3 Night travel

- (a) Vehicles not exceeding 2.5 metres in width or 22 metres in length are permitted in the NSW Urban Zone at night between sunset and sunrise.
- (b) Vehicles exceeding 2.5 metres in width or 22 metres in length may only operate at between midnight and sunrise in the NSW Urban Zone if the vehicle is accompanied by at least one pilot vehicle

1.1.4 Sundays and public holidays

Vehicles are not permitted to travel after 4.00pm on Sundays or state-wide public holidays on the following roads:

<i>Road or area subject to restriction</i>
Hume Highway between the Picton Road interchange and the M7 and M5 interchange at Prestons
Western Motorway (M4) between the Nepean River at Emu Plains and Prospect
Sydney–Newcastle Freeway (F3) between the Hawkesbury River and the Central Coast Highway interchange at Kariong

1.1.5 Public holiday periods (including 23 December to 3 January)

- (a) For the purposes of 1.1.5(b) a public holiday period means a period of three or more consecutive days covering a declared NSW state-wide public holiday and adjacent weekend days (for example Easter and every long weekend); or the period between 23 December and 3 January (inclusive).
- (b) Vehicles are not permitted to travel in the daytime during public holiday on the following roads (a vehicle driving across the road is exempted):

<i>Road or area subject to restriction</i>
Princes Highway – from Broadway to south Kiama
Hume Highway – from Parramatta Road to Picton Road interchange.
Pacific Highway – from Warringah Freeway North Sydney to Masonite Road Heatherbrae.
New England Highway – from Hexham Bridge to Weakleys Drive.
Central Coast Highway – from F3 at Kariong to Pacific Highway Doyalson.
Cumberland Highway – from Hume Highway Liverpool to Pacific Highway Wahroonga.
Great Western Highway – from Broadway to Nepean River Emu Plains.
F1 Warringah Freeway – from Sydney Harbour Bridge to Willoughby Road Naremburn.
M2 Hills Motorway – from North Ryde to Seven Hills.
F3 Sydney Newcastle Freeway – from Wahroonga to Beresfield.
F4 Western Motorway – from Concord Road to Nepean River Leonay.
F5 South Western Freeway – from Kyeemagh to Prestons.
F6 Southern Freeway – from waterfall to Yallah.
M7 Westlink – from Seven Hills to Prestons
Gore Hill Freeway – Naremburn to Lane Cove

1.2 Limited Access Locations and Zones – NSW Urban Zone

- (a) Notwithstanding the dimension limits set out in the Notice, travel on or through a Limited Access Location set out in this part is not permitted if the vehicle exceeds one or more of the limits that applies to a Limited Access Location as set out in this Part.
- (b) A vehicle must be only operated in accordance with any access condition that applies to a Limited Access Location.
- (c) A vehicle which exceeds one or more of the stated dimension limits must apply for and obtain a specific permit before travelling on or in any of the following Limited Access Locations in the NSW UrbanZone.
- (d) Where a dimension limit states Not Applicable (N/A) the dimension limit set out in the Notice is the applicable dimension.

1.2.1 Sydney & Inner Suburbs

For the purposes of this Part the Sydney CBD zone is the area bounded by and including George Street from Railway Square to Hay Street, Hay Street from George Street to Sussex Street, Sussex Street from Hay Street to Erskine Street, Erskine Street from Sussex Street to Kent Street, Kent Street from Erskine Street to as far north as Jamison Street, then a line drawn to Jamison Street and along Jamison Street to York Street, York Street from Jamison Street to Grosvenor Street, Grosvenor Street from York Street to George Street, George Street from Grosvenor Street to Alfred Street, Alfred Street from George Street to Circular Quay East, Circular Quay East from Alfred Street to Macquarie Street, Macquarie Street from Circular Quay East to Prince Albert Road, Prince Albert Road from Macquarie Street to College Street, College Street from Prince Albert Road to Wentworth Avenue, Wentworth Avenue from College Street to Elizabeth Street, Elizabeth Street from Wentworth Avenue to Hay Street, Hay Street from Elizabeth Street to Pitt Street, Pitt Street from Hay Street to George Street at Railway Square;

Sydney CBD Zone



Location/Road	Dimension Limit (metres)			Location Restriction and Condition of Access
	Width	Height	Length	
Sydney CBD Zone *	2.5	4.3	12.5	
Boundary Street Darlinghurst railway underpass (MR625)	3.5	4.0	N/A	Height limited railway underpass.
Bradfield Highway (MR632) from the Southern Toll Plaza to Lavender Street *	2.5	4.3	19.0	
Brown Street Leichhardt (Tebbutt Street to Cook St) (MR652)	2.5	4.3	19.0	
Cross City Tunnel from McLachlan Ave Rushcutters Bay to Harbour Street at Darling Harbour	2.5	4.3	19.0	
Cahill Expressway (MR592) from the Southern Toll Plaza to the Eastern Distributor toll road	2.5	4.3	19.0	
Frederick Street Ashfield railway underpass (MR650)	3.0	4.0	N/A	Height limited railway underpass.
Johnston Street Annandale railway underpass (MR655)	3.5	4.0	N/A	Height limited railway underpass.
King Street Newtown (HW1) between Lord Street and Carillon Avenue *	2.5	4.3	19.0	
M5 East Motorway (tunnel) between King Georges Road interchange Beverly Hills and General Holmes Drive Mascot	2.5	4.3	19.0	

<i>Location/Road</i>	<i>Dimension Limit (metres)</i>			<i>Location Restriction and Condition of Access</i>
	<i>Width</i>	<i>Height</i>	<i>Length</i>	
Raw Square Strathfield railway underpass (MR668)	3.5	3.9	N/A	Height limited railway underpass.
(Old) Ryde Bridge (MR200) from Concord Road to Church Street	N/A	4.5	N/A	
Sydney Harbour Bridge (MR632) from the Southern Toll Plaza to Lavender Street North Sydney. *	2.5	4.3	19.0	
Sydney Harbour Tunnel from Warringah Freeway to the Cahill Expressway; from Eastern Distributor to Baker Street Kensington	2.5	4.3	19.0	

* Rule 300-3 of the Road Rules 2008 also regulates the driving of long vehicles in the Sydney CBD and adjacent areas. The Notice does not provide exemption from its requirements.

1.6.2 Sydney north

<i>Location/Road</i>	<i>Dimension Limit (metres)</i>			<i>Location Restriction and Condition of Access</i>
	<i>Width</i>	<i>Height</i>	<i>Length</i>	
Lane Cove Tunnel from the Pacific Highway to Lane Cove River at Lane Cove North	2.5	4.3	25.0	
M2 Motorway and tunnel from the toll plaza at Macquarie Park to Beecroft Road (MR139)	2.5	4.3	25.0	
Berowra Waters Road (RR332) at Berowra Ferry	2.5	4.3	12.5	
Boundary Street Roseville railway underpass (MR328)	3.5	4.1	N/A	Height limited railway underpass.
Galston Road (MR161) at Galston Gorge between Montview Parade Hornsby Heights and Calderwood Road Galston	2.5	4.3	7.5	
McCarrs Creek Road (MR174) from Church Point to Terrey Hills	2.5	4.3	12.5	
Strathallen Avenue (MR599) at the suspension bridge (BN172), Northbridge	3.0	4.3	N/A	Overmass access not permitted
Wisemans Ferry Road (RR225) from Berecroy Road Mangrove Mountain to the Hawkesbury River Wisemans Ferry.	2.5	4.3	19.0	
Barrenjoey Road (MR164) at Bilgola Bends	3.5	N/A	19.0	

1.6.3 Sydney south

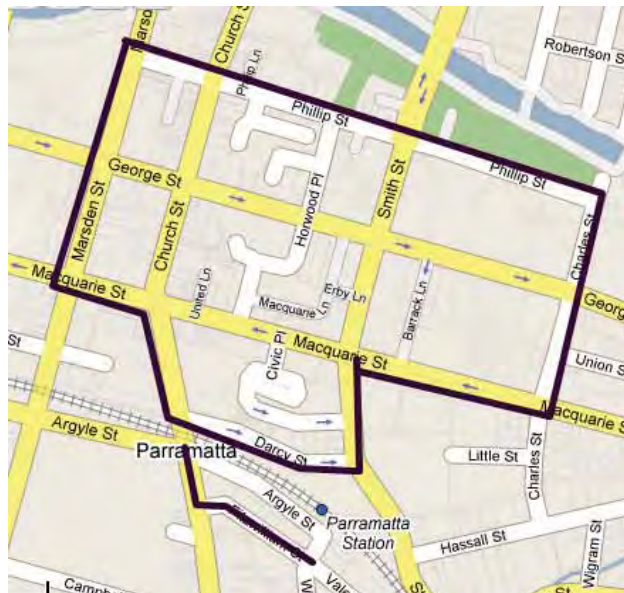
<i>Location/Road</i>	<i>Dimension Limit (metres)</i>			<i>Location Restriction and Condition of Access</i>
	<i>Width</i>	<i>Height</i>	<i>Length</i>	
Heathcote Road (MR512) between New Illawarra Road Lucas Heights and the Princes Highway Heathcote	2.5	N/A	19.0	
Lady Wakehurst Drive, Sir Bertram Stevens Drive, Audley Road and Farnell Avenue (MR393) between Bald Hill Lookout and the Princes Highway	2.5	4.3	14.5	
McKell Avenue (MR393) from Waterfall to the Royal National Park	2.5	4.3	14.5	

<i>Location/Road</i>	<i>Dimension Limit (metres)</i>			<i>Location Restriction and Condition of Access</i>
	<i>Width</i>	<i>Height</i>	<i>Length</i>	
Princes Highway (HW1) on (old) Tom Ugly's Bridge (northbound)	3.5	4.3	19.0	Over mass not permitted
Seven Ways Rockdale (MR169) between the Princes Highway and Watkin Street	3.5	4.3	19.0	
Bexley Road at Bexley Railway Bridge				
Wollongong Road Arncliffe – railway underpass	3.5	3.5	19.0	Narrow height limited railway underpass.

1.6.4 Sydney West

For the purposes of this Part the Parramatta CBD restricted road zone is the area bounded by and including Phillip Street from the intersection with Marsden Road to intersection with Charles Street, Charles Street to the intersection with Macquarie Street, Macquarie Street to the intersection with Smith Street, Smith Street to the intersection with Darcy Street, Darcy Street to the intersection with Church Street, Church Street Mall to the intersection with Macquarie Street, Macquarie Street to the intersection with Marsden Street and Marsden Street to the intersection with Phillip Street. The zone also includes Fitzwilliam Street from the intersection with Wentworth Street to the intersection with Church Street and Argyle Street from the intersection with Church Street to the intersection with Fitzwilliam Street;

Parramatta CBD



<i>Location/Road</i>	<i>Dimension Limit (metres)</i>			<i>Location Restriction and Condition of Access</i>
	<i>Width</i>	<i>Height</i>	<i>Length</i>	
Parramatta CBD Zone	2.5	4.3	19.0	
Gasworks Bridge Parramatta	2.5	N/A	N/A	Load limited bridge 30t gross.
Macquarie Street underpass Windsor	3.5	4.3	N/A	Railway underpass height limit 4.3m
Windsor Bridge George Street Windsor	2.5	4.3	22.0	no overmass access.
Victoria Bridge over Nepean River at Penrith	2.5	4.3	19.0	No oversize or overmass access.

1.6.5 Wollongong

For the purposes of this Part the Wollongong CBD zone is the area bounded by and including Smith Street from the intersection with Flinders Street to the intersection with Corrimal Street, the western side of Corrimal Street to the intersection with Bank Street, Bank Street to the intersection with Church Street, Church Street to the intersection with Ellen Street, and Ellen Street to the intersection with Auburn Street, then a straight line drawn from the intersection of Ellen Street and Auburn Street to the intersection of Rowland Avenue and Gladstone Avenue, Gladstone Avenue to the intersection with Crown Street, Crown Street and Denison Street to the intersection with Victoria Street, Victoria Street to the intersection with Keira Street, and Keira Street to the intersection with Smith Street;



<i>Location/Road</i>	<i>Dimension Limit (metres)</i>			<i>Location Restriction and Condition of Access</i>
	<i>Width</i>	<i>Height</i>	<i>Length</i>	
Wollongong CBD Zone	2.5	4.3	19.0	
Victoria Street, Wollongong	N/A	3.8	N/A	Rail overpass
Broughton Pass (RR610) from Appin Road to Wilton Road	2.5	4.3	19.0	
Bulli Pass (HW1) from Mount Ousley Road to Lawrence Hargrave Drive	2.5	4.6	19.0	
Lawrence Hargrave Drive (MR185) from the Princes Highway at the foot of Bulli Pass via Thirroul, Austinmer, Clifton and Bald Hill to the Princes Highway south of Helensburgh	2.5	4.3	19.0	

1.6.6 Newcastle and Central Coast

<i>Location/Road</i>	<i>Dimension Limit (metres)</i>			<i>Location Restriction and Condition of Access</i>
	<i>Width</i>	<i>Height</i>	<i>Length</i>	
George Booth Drive (MR527) from the F3 Freeway west to the Tasman Mine entrance.	2.5	N/A	19.0	
Henry Parry Drive Gosford (MR673) between York Street and Etna Street	2.5	4.3	19.0	
Old Pacific Highway from the Hawkesbury River to Kariong	3.0	N/A	19.0	
Woy Woy Bay Road (RR7751) from Woy Woy to Kariong	2.5	N/A	19.0	

1.7 NSW Urban Zone – Bridge Mass Restrictions

A Vehicle must not operate on the Bridges set out in this part unless the total mass limit of the vehicle does not exceed the lesser of:

- (a) The mass limits prescribed by Schedule 1 of Road Transport (Mass, Loading and Access) Regulation 2005; or
- (b) The applicable total mass limit that applies to a bridge as set out in this part; or
- (c) A mass limit imposed under Section 28 of the Road Transport (General) Act 2005;

<i>Bridge Number and Name</i>	<i>Description</i>
BN226 Sydney Harbour Bridge	Over Sydney Harbour on MR632. (If oversize see also table at clause 1.6.1)
BN333 Victoria Bridge	Over Nepean River on Great Western Highway (HW5) at Penrith.
BN50 The Spit Bridge	Over Middle Harbour, South of Seaforth
BN51 Bridge on Ethel St	MR164-Manly Road, at Balgowlah
BR135 Roseville Bridge on Warringah Road	Over Middle Harbour, Roseville Chase –
BN415 Windsor Bridge	Over Hawkesbury River on Bridge Street (MR182) Windsor.
BR390 Bridge on Galston Road	Over Pearces (Tunks) Creek, Galston
BR1758	Maud Street, over main Northern Railway, 1.08 km West Mayfield West
BR8495	Manns Road, Narara, over main Norther Railway, 4.5km west of Gosford
BN98 Bentley's Bridge	E/B Bridge, Park Creek. (Channel), Rushcutter's Bay (Urban)
BN143	Bridge on MR 393, over Flat Rock Creek No. 2, Royal National Park – Flat Rock Creek No. 2
BN291	Northbound Bridge, over Prospect Creek, at Lansdowne
BN292	Southbound Bridge, over Prospect Creek, at Lansdowne
BN341 Peats Ferry Bridge	Over Hawkesbury River, Peats Ferry
BN360 Lennox Bridge	Bridge on Church Street, over Parramatta River, at Parramatta
BN388	Bridge on Showground Road, over Cattai Creek, at Castle Hill
BN592 Gasworks Bridge	On MacArthur Street, over Parramatta River, at Parramatta



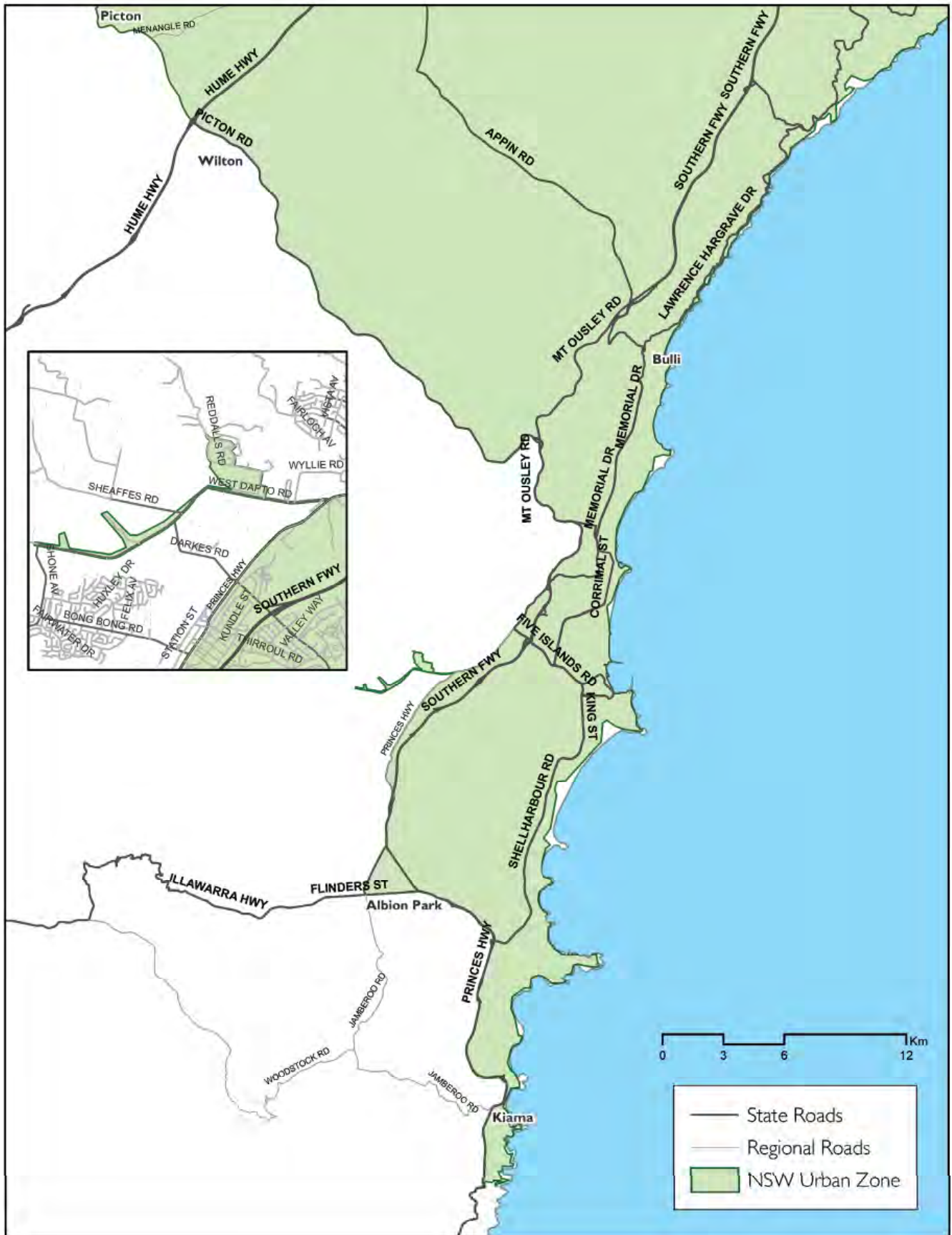
NSW URBAN ZONE – NEWCASTLE MAP



NSW URBAN ZONE – SYDNEY MAP



NSW URBAN ZONE – WOLLONGONG MAP



Part 2 – NSW Regional Zone

For the purpose of this Part the NSW Regional Zone is that part of the State of New South Wales that is not part of the area declared to be the NSW Urban Zone at Part 1 of this Notice.

2.1 Travel Conditions

2.1.1 Week day and peak hour travel restrictions

Oversize load carrying vehicles must not travel in the daytime contrary to the requirements of this table:

<i>Location</i>	<i>Road or area</i>	<i>Travel not permitted</i>
From Nepean River at Emu Plains to Katoomba	Great Western Highway	If wider than 2.5m – Mon-Fri, 6am to 9am and 4pm to 7pm. (Except on Statewide public holidays).
Nowra at Shoalhaven Bridge (southbound).	Princes Highway	If wider than 2.5m – Mon-Sat, 8am to 10am and Mon-Fri, 3pm to 6pm. (Except on Statewide public holidays).
Moama Echuca Bridge	Cobb Highway	Mon-Fri, 7.30am to 9.30am and Noon to 1pm and 3pm to 6pm. Sat-Sun, 7.30am to 9am and Noon to 1pm.
Kempsey at Macleay River Bridge	Pacific Highway	If wider than 2.5m – Mon-Sat, 7.30am to 9.30am and Mon-Fri, 3pm to 6pm. (Except on Statewide public holidays).
Macksville at Nambucca River Bridge	Pacific Highway	If wider than 2.5m – Mon-Sat, 7.30am to 9.30am and Mon-Fri, 3pm to 6pm (Except on Statewide public holidays).
Coffs Harbour City between Stadium Drive and West Korora Rd	Pacific Highway	If wider than 2.5m – Mon-Sat, 7.30am to 9.30am and Mon-Fri, 3pm to 6pm. (Except on Statewide public holidays).
Three Chain Road Lismore to Teven Road Alstonville	Bruxner Highway	If wider than 2.5m – Mon-Sat, 7.30am to 9.30am and Mon-Fri, 3pm to 6pm. (Except on Statewide public holidays).
Ballina between Burns Point Ferry Road and North Creek Rd	Pacific Highway	If wider than 2.5m – Mon-Sat, 7.30am to 9.30am and Mon-Fri, 3pm to 6pm. (Except on Statewide public holidays).
Grafton Bridge over Clarence River between Grafton City and South Grafton	Summerland Way	If wider than 2.5m – Mon-Sat, 7.30am to 9.30am and Mon-Fri, 3pm to 6pm. (Except on Statewide public holidays).
East Maitland to Rutherford	New England Highway	If wider than 2.5m – Mon-Sat, 7.30am to 9.30am and Mon-Fri, 3pm to 6pm. (Except on Statewide public holidays).

2.1.2 Night travel

- (a) Night travel is permitted at night between sunset and sunrise for oversize load carrying vehicles or combinations that are not wider than 2.5 metres or longer than 22 metres.
- (b) Night travel is permitted for vehicles wider than 2.5 metres or longer than 22 metres are permitted to travel at night between midnight and sunrise on the following roads when the vehicle is accompanied by at least one pilot vehicle:

<i>Road or area</i>	<i>Night Travel Permitted from midnight to sunrise</i>
Hume Highway (HW2)	Between Picton Road interchange and the Victorian border only on those sections of the Highway that are dual carriageway divided road and not subject to roadwork, and including an access road to any service area immediately adjacent to the Highway.
Pacific Highway (HW10)	Between Raymond Terrace and the Oxley Highway, Port Macquarie and Ewingsdale Road, near Byron Bay and the Queensland Border and only on those sections of the Highway that are dual carriageway divided road and not subject to roadwork and including the undivided carriageway through the township of Bulahdelah and an access road to any service area immediately adjacent to the Highway.

<i>Road or area</i>	<i>Night Travel Permitted from midnight to sunrise</i>
Princes Highway (HW1)	From 200m south of Pepper Road (the Log Cabin) near Tomerong north to the boundary of the NSW Urban Zone at South Kiama Drive, Kiama Heights. Note – Additional restrictions apply for vehicles wider than 3.5m or longer than 25m.
Great Western Highway (HW5)	Between Nepean River at Emu Plains and Bowenfels.
Federal Highway (HW3)	Between the intersection at the Hume Highway and the Australian Capital Territory (ACT) border south of Sutton.
Sydney–Newcastle Freeway (F3)	Between the Hawkesbury River and John Renshaw Drive (MR588) near Beresfield.
John Renshaw Drive (MR588)	Between the Sydney–Newcastle Freeway (F3) and the New England Highway at Beresfield.
Weakleys Drive	Between the F3 Freeway and New England Highway.
New England Highway (HW9)	Between Weakleys Drive at Beresfield and Thomas Mitchell Drive (for northbound travel) or Muscle Creek Road (for southbound travel) south of Muswellbrook.

2.1.3 Weekends and state-wide public holidays

Vehicles wider than 2.5 metres or longer than 22 metres are not permitted to travel in the daytime on weekends or state-wide public holidays on the following roads:

<i>Road or area</i>	<i>Travel Restriction applies</i>
Burley Griffin Way (MR84)	Between the Hume Highway west of Bowning and the Irrigation Way (MR80) at Yoogali east of Griffith.
Snowy Mountains Highway (HW4)	Between Tumut and Cooma during the official snow season from the Queens Birthday weekend in June and the labour Day weekend in October (inclusive).
Kings Highway (MR51)	Between Braidwood and Batemans Bay from first day of November to last day of February (inclusive).
Princes Highway (HW1)	No oversize travel after 8 am: From Berry to Bendalong Road, Cobargo to Pambula, Ulladulla to Narooma and Eden to the Victorian Board
Great Western Highway (HW5)	From Nepean River at Emu Plains to Little Hartley after 8.30 am.
Barton Highway (HW15)	Between the Hume Highway and the ACT border after 4 pm Sundays or State Wide holidays.
Lachlan Valley Way (MR56)	Between the Hume Highway north west of Yass and Forbes after 4 pm Sundays or State Wide holidays.

2.1.4 Public holiday periods (including 23 December to 3 January)

- (a) For the purposes of 2.1.4 (b) a public holiday period means a period of three or more consecutive days covering a declared NSW state-wide public holiday and adjacent weekend days (for example Easter and every long weekend); or the period between 23 December and 3 January (inclusive).
- (b) Vehicles wider than 2.5 metres or longer than 22 metres are not permitted to travel in the daytime during public holiday periods) on the following roads (a vehicle driving across the road is exempted):

<i>Travel Restriction applies to</i>
Pacific Highway – from Heatherbrae to Gold Coast Highway interchange at Tweed Heads West.
Princes Highway – from South Kiama to Victorian border.
Hume Highway – from Picton Road to Victorian border.
Great Western Highway – from Nepean River to Bathurst.
John Renshaw Driver – From F3 to New England Highway

<i>Travel Restriction applies to</i>
New England Highway – from Weakleys Drive to Qld border.
Golden Highway – from New England Highway to Dubbo.
Mitchell Highway – from Bathurst to Dubbo.
Castlereagh Highway – from Marrangaroo to Gilgandra.
Kamilaroi Highway – from Willow Tree to Narrabri.
Newell Highway – from Tocumwal to Goondiwindi.
Mid Western Highway – from Bathurst to Marsden.
Sturt Highway – from Lower Tarcutta to Narrandera.
Riverina Highway – from Bethanga to Finley.
Monaro Highway – from ACT border to Victorian border near Rockton.
Snowy Mountains Highway – from Bega to the Hume Highway.
Oxley Highway – from Port Macquarie to Coonabarabran.
Gwydir Highway – from South Grafton to Moree.
Bruxner Highway – from Ballina to Boggabilla.
Gold Coast Highway – from Pacific Highway Interchange Tweed Heads West to Qld border.
Illawarra Highway – from Albion Park to the Hume Highway.
Federal Highway – from Hume Highway to ACT border.
Barton Highway – from Hume Highway to ACT border.
Burley Griffin Way (MR84) between the Hume Highway west of Bowning and the Irrigation Way (MR80) at Yoogali east of Griffith.
Kidman Way (MR321 + MR80) between the Newell Highway 16km north of Jerilderie and the Mid Western Highway at Goolgowi.
Lachlan Valley Way (MR56) between the Newell Highway at Forbes and its intersection with the Hume Highway northwest of Yass.
Kings Highway (MR51) between Braidwood and Batemans Bay.
Olympic Highway (MR78) between the Hume Highway north of Albury, and Cowra.

2.2 Limited Access Locations and Zones – NSW Regional Zone

- Notwithstanding the dimension limits set out in the Notice, travel on or through a Limited Access Location set out in this part is not permitted if the vehicle exceeds one or more of the limits that applies to a Limited Access Location as set out in this Part.
- A vehicle must be only operated in accordance with any access condition that applies to a Limited Access Location.
- A vehicle which exceeds one or more of the stated dimension limits must apply for and obtain a specific permit before travelling on or in any of the following Limited Access Locations in the NSW Eastern Zone.
- Where a dimension limit states Not Applicable (N/A) the dimension limit set out in the Notice is the applicable dimension.

2.2.1 Northern Ranges & North Coast NSW

<i>Location/Road</i>	<i>Dimension Limit (metres)</i>			<i>Location Restriction and Condition of Access</i>
	<i>Width</i>	<i>Height</i>	<i>Length</i>	
Bruxner Highway between Drake and Tenterfield.	2.5	N/A	19.0	
Coramba Road (RR120) between Dorrigo and Coramba.	2.5	N/A	19.0	
Waterfall Way between Church Street Bellingen and Maynards Plains Road Dorrigo.	2.5	N/A	19.0	

<i>Location/Road</i>	<i>Dimension Limit (metres)</i>			<i>Location Restriction and Condition of Access</i>
	<i>Width</i>	<i>Height</i>	<i>Length</i>	
Ebor to Grafton Road (RR74) between Tyringham and Nymboida.	2.5	N/A	19.0	
Gwydir Highway from Camp Creek (Peter Elks Bridge) west to Glen Elgin Prison Farm entrance.	3.0	N/A	25.0	
Oxley Highway from Ralfes Creek bridge west to Yarrowitch	2.5	N/A	19.0	
Tomewin Road (RR143) from Murwillumbah to the Queensland border	2.5	N/A	19.0	

2.2.2 Central & North West NSW

<i>Location/Road</i>	<i>Dimension Limit (metres)</i>			<i>Location Restriction and Condition of Access</i>
	<i>Width</i>	<i>Height</i>	<i>Length</i>	
Crookwell to Trunkey Creek (Binda Road MR54) between Abercrombie Caves and Tuena.	2.5	N/A	19.0	
Abercrombie Road (Taralga to Goulburn Road RR256) for 5 klm north and south of Abercrombie Bridge.	2.5	N/A	19.0	
Bells Line of Road (MR184) from Hermitage Road at Bellbird Hill to the Great Western Highway at Mount Victoria. (Darling Causeway is part of this road).	2.9	N/A	19.0	
The Chifley Road (MR516) from Bells Line of Road at Bell to the Great Western Highway at Bowenfels.	2.5	N/A	19.0	
Hawkesbury Road (MR570) between the lookout near Roberts Parade and north to the Blue Mountains City Council boundary.	2.5	N/A	12.5	
Jenolan Caves Road (RR253) from 10km north of Jenolan Caves to 10km west of Jenolan Caves	2.5	4.3	12.5	
Putty Road (MR503) from East Kurrajong Road to Milbrodale School.	2.5	4.3	19.0	
Kamilaroi Highway at Gunnedah town centre between Warrabungle Street and Abbott Street.	2.5	N/A	19.0	Use bypass routes via Bloomfield Street or South Street.
Paytens Bridge over Lachlan River near Bandon	2.5	4.3	19.0	No oversize access

2.2.3 Hunter and Central Coast

<i>Location/Road</i>	<i>Dimension Limit (metres)</i>			<i>Location Restriction and Condition of Access</i>
	<i>Width</i>	<i>Height</i>	<i>Length</i>	
Edderton Road between Denman Road and Golden Highway – excepting an agricultural vehicle accessing a property located on Edderton Road.	2.5	N/A	25.0	

2.2.4 South Western and Southern NSW

<i>Location/Road</i>	<i>Dimension Limit (metres)</i>			<i>Location Restriction and Condition of Access</i>
	<i>Width</i>	<i>Height</i>	<i>Length</i>	
Burley Griffin Way between Binalong and Stockinbingal	3.5	N/A	N/A	Contact Police Southern Region RTC for escorts before travel.
Gocup Road between Gundagai and Tumut	2.5	N/A	N/A	Contact Police Southern Region RTC for escorts before travel.
Grahamstown Road between Tumblong and Mt Horeb	2.5	N/A	N/A	Contact Police Southern Region RTC before travel.
Snowy Mountains Highway from Tumut Plains Road Tumut to Kosciusko Road Cooma	2.5	N/A	19.0	Contact Police Southern Region RTC for escorts before travel.
Echuca Bridge on Cobb Highway between Moama and Echuca	2.5	N/A	N/A	Time restrictions apply Monday to Saturday, refer to paragraph 2.1 of this section. No overmass permitted.

2.2.5 Southern Ranges and South Coast NSW

<i>Location/Road</i>	<i>Dimension Limit (metres)</i>			<i>Location Restriction and Condition of Access</i>
	<i>Width</i>	<i>Height</i>	<i>Length</i>	
Illawarra Highway (HW25) from the Broughton Ave roundabout near Tullimbar westward to Jamberoo Mountain Road near Robertson.	2.5	N/A	19.0	
Moss Vale Road (MR261) between Barfield Road Cambewarra and Fitzroy Falls.	2.5	N/A	19.0	Contact Nowra Police if wider than 2.5m; Police escort required if wider than 3.0 metres.
Moss Vale Road (RR261) at Fitzroy Falls	2.5	N/A	19.0	
Kangaroo Valley Road between Berry and Moss Vale Rd	2.5	N/A	19.0	Contact Nowra Police if wider than 2.5m; Police escort required if wider than 3.0 metres.
Hampden Bridge in Kangaroo Valley	2.5	N/A	19.0	no overmass permitted.
Kings Highway (MR51) at Clyde Mountain.	2.5	N/A	19.0	Contact Batemans Bay HWP
Snowy Mountains Highway from the top of Brown Mountain to Nunnock River	2.5	N/A	19.0	Contact Bega HWP
Araluen Road from Majors Creek to Kiora	2.5	N/A	19.0	
Princes Highway between Narooma and Cobargo	3.0	N/A	25.0	Contact Bega Police HWP if wider than 3.0 metres – NB height limit at Narooma Bridge.
Princes Highway between Poplar Street rest area and Belmore Street at Bega.	3.0	N/A	25.0	Contact Bega Police if wider than 3.0 metres.
Princes Highway at Clyde River bridge at Batemans Bay	3.2	N/A	N/A	One Pilot required if wider than 3.2 metres but not wider than 3.5 metres.

<i>Location/Road</i>	<i>Dimension Limit (metres)</i>			<i>Location Restriction and Condition of Access</i>
	<i>Width</i>	<i>Height</i>	<i>Length</i>	
Princes Highway at Narooma bridge between Dalmeny Drive and Riverside drive	3.0	4.5	N/A	Contact Batemans Bay Police if wider than 3.0 metres or higher than 4.4 metres.

2.3 NSW Regional Zone – Bridge Mass Restrictions

A Vehicle must not operate on the Bridges set out in this part unless the total mass limit of the vehicle does not exceed the lesser of:

- The mass limits prescribed by Schedule 1 of Road Transport (Mass, Loading and Access) Regulation 2005; or
- The applicable total mass limit that applies to a bridge as set out in this part; or
- A mass limit imposed under Section 28 of the Road Transport (General) Act 2005;

2.3.1 Hunter Region

<i>Bridge Number and Name</i>	<i>Description</i>
BN413 Stalbans Bridge	Over Macdonald River, at Street. Albans
BN1472 Coorei Bridge	Over Williams River, Stroud Hill Road Dungog (1.18 km North of Dungog)
BN1477 Monkerai Bridge	Karuah River, Local Road
BN1481 Morpeth Bridge	Over Hunter River, Phoenix Park Road Morpeth (0.03 K N of Morpeth)
BN1484 Irrawang Bridge	Hunter River, 2.69 km North Raymond Terrace
BN1489	Main Northern Rail, 17.24 km West Raymond Terrace
BN1518 Wallis Bridge	Over Wallamba River, Forster / Tuncurry
BN1527 Beckers Bridge	Over Webbers Creek, Gresford Road Glendon Brook (20.14 km North of Singleton)
BN1535 Vacy Bridge	Over Paterson River, Tocal Road Vacy.
BN1557 Kayuga Bridge	Over Hunter River, Kayuga Road Muswellbrook (2.27 km North Muswellbrook)
BN1567	Over Goulburn River, 0.8km South of Sandy Hollow
BN1625	Private Rail Line, 3.07 km west Of Kurri
BN1661 Elderslie Bridge	Over Hunter River, Elderslie Road Elderslie. (5.55 km North of Branxton)
BN1683 Dunmore Bridge	Over Paterson River, Paterson Road Woodville.
BN1727	Over Macdonald River, 111.4k North of Windsor
BN1737 Bulga Bridge	Over Wollombi Brook, Putty Road Bulga (152.4 km North of Windsor)
BN1752 O'johnston Bridge	Williams River, at Clarencetown
BN1776	Bridge over Paterson River, Dourebang, Paterson
BN1779 Yarrawa Bridge	Goulburn River, At Yarrawa (Denman)
BN1780 Luskintyre Bridge	Over Hunter River, Luskintyre Rd, Luskintyre
BN1784 Glennies Creek Bridge	Over Glennies Creek, Middle Falbrook Road Middle Falbrook
BN3379 Fitzgerald Bridge	Over Hunter River, Southbound New England Highway Aberdeen. (12.8 km North of Muswellbrook)
BN2082 Barrington Bridge	Over Barrington River, Thunderbolts Way Barrington
BN1461 Gostwyck Bridge	Paterson River, 23.75 km North of Maitland
BN1519 Redbournberry Bridg	Hunter River, 2.41 km North Singleton

2.3.2 Northern Region

<i>Bridge Number and Name</i>	<i>Description</i>
BN2090	Bridge On Local Rd., Bellinger River, Nth.Arm At Raleigh
BN2266 Tabulam Bridge	Over Clarence River, Bruxner Highway Tabulam – 23 Tonne Limit (55.49KM WEST Casino)
BN2295 Pollack Bridge	Rr74, Nymboida River, Nymboida
BN2462 Glebe Bridge	Over Richmond River, Dawson Street Coraki. (0.60km North of Coraki)
BN2531 Bridge	Over Sportsmans Creek, Bridge Street Lawrence (0.72km South Lawrence)
BN2537 McFarlane Bridge	Over Clarence River, Lawrence Road Maclean. (0.98km Sth Maclean)
BN2581 Korn's Bridge	Over Rous River, Numinbah Road Crystal Creek
BN2594 Colemans Bridge	Over Leycester Creek, Union Street Lismore. (0.02km West of Lismore)
BN2676 Bawdens Bridge	Over Orara River, Old Glen Innes Rd, Chambigne
BN2680 Briner Bridge	Over Upper Coldstream River, East Of Ulmarra. (7.7KM East of Ulmarra)
BN2948	Bridge on SR63, over Halls Creek, 0.75km Nth Bingara
BN2949	Bridge on SR63, over Gwydir River, 0.87km Nth Bingara
BN3140 Fladbury Bridge	Over Severn River, Emmaville Road Glen Innes Bridge On Rr7706, Severn River, 29.83km Nth Gln Inn – Fladbury Bridge
BN3142 Wyalabah Bridge	Old Grafton Rd, over Mann River, near Newton Boyd
BN3655 Namoi River Bridge	Bridge on SR63, Ov Namoi River, 0.20km Nth Manilla –
BN3656	Bridge on SR63, Manilla River, Near Upper Manilla – 12.19km Nth Manilla
BN3665 Manilla River Bridge	Bridge on Sr63, over Manilla River, 0.80km Nth Barraba –
BN3670	SR63, Oaky Creek, 25.83km Nth Barraba
BN3763	Bridge over Gwydir River, In Bundarra – 0.46km Nth Bundarra
BN4050 COHENS BRIDGE	Bridge On Local Rd, Namoi River, At Gunnedah
BN1832 Dennis Bridge	Over Hastings River, 39.83km South of Kempsey

2.3.3 Western Region

<i>Bridge Number and Name</i>	<i>Description</i>
BN971	Bridge ON Hawkesbury Rd, Western Rail & Sh5, Springwood
BN1015 Abercrombie Bridge	Over Abercrombie River, 67 Klm North Of Crookwell
BR1141	Bridge on Bells Line of Rd, Western Rail, Bell
BN1185 Wallaby Rocks Bridge	Over Turon River, Hill End Road West Of Sofala
BN1208 Queen Charlotte Bridge	Bridge, Vale Creek, Perth On Mr252 –
BN1278	Over Duckmaloi River, 11.17km West MR253
BN1302 MCKANE'S BRIDGE	Over Cox's River, West of Bowenfels
BN1304 Beryl Bridge	Wialdra Creek, Nr Gulgong
BN3970 Iron Bridge	Over Namoi River, Boggabri to Manilla Road north of Boggabri.

BN4148 L.H.Ford Bridge	Bridge over Macquarie River, at Dubbo –
BN4285 Iron Bridge	Over Lachlan River, Cowra Road Forbes.
BN4469 Holman Bridge	Over Lachlan River, at Gooloogong on Grenfell – Canowindra Rd
BN4523	Over Macquarie River (16.75km North East Trangie) Gin Gin
BN4645 Rawsonville Bridge	Over Macquarie River, North Minore Road Minore
BN4658 Waroo Bridge	Over Lachlan River, Hodges Road west of Waroo
BN4659 Paytens Bridge	Over Lachlan River, at Colletts Crossing
BN4660 Scabbing Flat Bridge	Over Macquarie River, Ponto Road Geurie.

2.3.4 Southern Region

<i>Bridge Number and Name</i>	<i>Description</i>
BN875 Hampden Bridge	Over Kangaroo River, Moss Vale – Nowra Road, Kangaroo Valley
BN965 Victoria Bridge	Timber Bridge over, Stonequarry Creek, at Picton
BN6129 Crankies Plain Bridge	Over Coolumbooka River, Cathcart Road Bombala Timber Truss Bridge, Coolumbooka River, At Crankies Plains
BN6168 Bridge	Over Wallaga Lake, Bermagui – Tathra Road Wallaga Lake Bridge Over, Wallaga Lake,
BN6235 Buckley's Crossing	Bridge Over The, Snowy River, at Dalgety
BN6237 New Buildings Bridge	Over Towamba River, New Buildings Road New Buildings. Timber Truss Bridge, Over Towamba River, – New Building Bridge
BN6396 James Park Bridge	Over Crookwell River, Binda Road North West Of Crookwell
BN6506 Charleyong Bridge	Over Mongarlowe River, Nerriga Road Charleyong Bridge Over, Mongarlowe River, At Charleyong – Charleyong Bridge
BN6675 Lansdowne Bridge	Over Mulwaree Ponds, Bungonia Road Goulburn. Timber Bridge Over, Mulwaree Ponds, At Goulburn – Lansdowne Bridge
BN6677 Mummel Bridge	Bridge Over, Wollondilly Creek, at Mummel
BN6678 Rossis Crossing	Over Wollondilly River, at Goulburn
BN713	Bridge Over, Shoalhaven River, South bound at Nowra
BN713	Bridge Over, Shoalhaven River, South bound at Nowra
BN935	Bridge over Tongarra Creek at Shellharbour
BN3318 Barmah Bridge	Over The Murray River, Near Barmah (Vic).
BN5950 Batemans Bay Bridge	Lift Span Bridge, Over Clyde River, At Batemans Bay
BN5974	Bridge Over, Corunna Lake, Corunna

2.3.5 South Western Region

<i>Bridge Number and Name</i>	<i>Description</i>
BN3184 Echuca Bridge	Over Murray River, Cobb Highway Echuca – Moama
BN3215 Swan Hill Bridge	Over Murray River, McCallum Street at Swan Hill
BN3220 Jacksons Bridge	Over Lachlan River, Mossgiel Road Hillston
BN3235 Gee Gee Approach Bridge	Over Wakool River North, Swan Hill – Barham Road Weetuppa
BN3237 Gee Gee Bridge	Over Wakool River North, Swan Hill – Barham Road Weetuppa

BN3244 Tooleybuc Bridge	Over Murray River, Kyalite Road at Tooleybuc
BN3248 Carrathool Bridge	Over Murrumbidgee River, south of Carrathool
BN3256 Koondrook Bridge	Over Murray River, Thule Street at Barham.
BN3315 Coonamit Bridge	Over Wakool River, Moulamein Road Swan Hill
BN3335 Oxley Bridge No 1	Over Lachlan River, Oxley Road Oxley west of Hay
BN3336 Oxley Bridge No 2	Over Lachlan River, Oxley Road Oxley west of Hay.
BN3375 Gonn Crossing	Over Murray River, Murrabit Road at Gonn Crossing
BN3377 Nyah Bridge	Over Murray River, Nyah Road at Nyah
BN5184	Murray R Approach, Br No.3 At, Robinvale
BN5575 Bethanga Bridge	Over Murray River, Riverina Highway At Hume Weir Steel Truss Bridge, Murray River, At Hume Reservoir – Bethanga Bridge
BN5689	Bridge, Tumbarumba Creek, Tumbarumba
BN5695 John Foord Bridge	Steel Truss Bridge, Murray River, At Corowa (Mr86)
BN5792 Tintaldra Bridge	Extended Bridge, Murray River, At Tintaldra
BN5818	Bridge, Little Billabong Creek, 0.1 East Of Sh 2
BN5819 Mulwala Bridge	Over Murray River, Yarrawonga Road at Mulwala
BN5821 Irrigation Bridge	Mulwala Canal, Mulwala
BN5909 Mundowry Bridge	BN8317
BN5943 Island Bridge	over Murray River, Near Albury
BN5944 Goldsworthy Bridge	Over Murray River, Indi Road At Biggara
BN5947 Towong Bridge	Over Murray River, Towong Road At Towong.
BN6633 Wee Jasper Bridge	Over Goodradigbee River, Tumut – Yass Road Wee Jasper Timber Bridge, Goodradigbee R, Wee Jasper – Wee Jasper Bridge
BN6637 Prince Alfred Bridge	Over Murrumbidgee River At Gundagai.
BN8317	Khancoban Creek, near Khancoban,

Part 3 – Contacts

3.1 Police



NSW Police Regional

<i>Region</i>	<i>Phone</i>	<i>Email</i>
Northern	(02) 4929 0060	nthrtc@police.nsw.gov.au
Southern	(02) 4226 7811	southload@police.nsw.gov.au
Western	(0429) 835 457	westload@police.nsw.gov.au

NSW Police Sydney Metropolitan

<i>Region</i>	<i>Phone</i>	<i>Email</i>
Central	(02) 9265 4920	rtccm@police.nsw.gov.au
Northwest	(02) 9689 7638	rtcnwm@police.nsw.gov.au
Southwest	(02) 8700 2436	rtcswm@police.nsw.gov.au

3.2 Electricity Supply Authorities

<i>Distributor</i>	<i>Phone</i>	<i>Fax</i>
Energy Australia	131 525	(02) 9269 2830
Integral Energy	131 081	(02) 9853 6000
Australian Inland Energy	(08) 8080 2444	(08) 8080 2420
Essential Energy	(02) 6933 5823	(02) 6933 5937
ACT Electricity & Water	(02) 6248 3111	(02) 6249 7237

3.3 NSW Local Government

To contact a local authority such as a Council for access on or through their area (roads and bridges), you can search and find all Councils using the address search tool on the Division of Local Government web site at –

http://www.dlg.nsw.gov.au/dlg/dlghome/dlg_SuburbLookup.asp?mi=0&ml=7&ba=b

ROAD TRANSPORT (GENERAL) ACT 2005

Class 2 Road Train Notice 2012

I, Peter Duncan, Chief Executive of Roads and Maritime Services pursuant to Clause 20 of the Road Transport (Mass, Loading and Access) Regulation 2005 hereby revoke all previous road train route approvals and by this Notice specify the areas and routes on which road trains described in Part 2 of the Schedule to this Notice may be used subject to any requirements or conditions set out in the Schedule to this Notice.

PETER DUNCAN,
Chief Executive,
Roads and Maritime Services

SCHEDULE**Explanatory Note**

This Notice replaces the Class 2 Road Train Notice 2012 that was published on 29 June 2012 in *NSW Government Gazette* No. 67 at pages 3011 to 3071 and all amendments made to that Notice.

PART 1 – PRELIMINARY**1.1 Citation**

This Notice may be cited as the Class 2 Road Train Notice 2012.

1.2 Commencement

This Notice takes effect on 27 July 2012.

1.3 Duration

This Notice remains in force up to and including 31 July 2017, unless it is revoked at an earlier time.

1.4 Interpretation

Unless stated otherwise, the words and expressions used in this Notice have the same meaning as those defined in the Road Transport (General) Act 2005.

PART 2 – APPLICATION**2.1 This Notice applies to a road train.****2.2 This Notice does not apply to any of the following combinations:**

- a) an AB-Triple; or
- b) a BA-Triple; or
- c) a B-Triple; or
- d) a BAB-Quad; or
- e) an ABB-Quad; or
- f) an AAB-Quad; or
- g) a BAA-Quad

Note: The combinations described in paragraph 2.2 may only be operated in accordance with a specific permit issued by Roads and Maritime Services Special Permits Unit.

PART 3 – OPERATING AND TRAVEL REQUIREMENTS**3.1 Operating requirements**

3.1.1 Clause 73 (1) of the Road Transport (Mass, Loading and Access) Regulation 2005 (the Regulation) does not apply to vehicles operating under this Notice. A copy of this Notice is not required to be carried in the vehicle.

3.2 Approved road train routes

3.2.1 Road trains operating under this Notice with an overall length not exceeding 36.5 metres may operate on the approved routes listed in Part 1 of Appendix 1, and must observe all travel conditions which apply to an approved route.

3.2.2 Road trains operating under this Notice, with an overall length which exceeds 36.5 metres to a maximum of 53.5 metres may only operate on the approved routes listed in Part 2 of Appendix 1, and must observe all travel conditions which apply to an approved route.

PART 4 – MASS LIMITS**4. Maximum total combination mass limits**

4.1 The following total combination mass limits apply.

4.2 Road Train not exceeding 36.5 metres in length – without certified road friendly suspension

The total combination mass of a road train with an overall length not exceeding 36.5 metres, fitted with a converter dolly which is not equipped with certified road friendly suspension must not exceed the lowest of:

- (a) 79.0 tonnes; or
- (b) the sum of the axle and axle group mass limits as determined by Table 1, of Schedule 1 to the Regulation; or
- (c) the sum of the manufacturers' mass limits for the prime mover (GVM) and the semi-trailers; or
- (d) the gross combination mass (GCM) limit specified by the prime mover manufacturer.

4.3 Road Train exceeding 36.5 metres but not exceeding 53.5 metres in length – without certified road friendly suspension

The total combination mass of a road train with an overall length not exceeding 53.5 metres, fitted with two converter dollies, which are not equipped with certified road friendly suspension must not exceed the lowest of:

- (a) 115.5 tonnes; or
- (b) the sum of the axle and axle group mass limits as determined by Table 1, Clause 2, Schedule 1 to the Regulation; or
- (c) the sum of the manufacturers' mass limits for the prime mover (GVM) and the semi-trailers; or
- (d) the gross combination mass (GCM) limit specified by the prime mover manufacturer.

4.4 Road Train not exceeding 36.5 metres in length – equipped with certified road friendly suspension

The following total combination mass limits apply to a road train with an overall length not exceeding 36.5 metres fitted with one tri-axle converter dolly which is equipped with certified road friendly suspension. The maximum permissible total combination mass is the lowest of:

- (a) 82.5 tonnes;
- (b) the sum of the axle and axle group mass limits as determined by Table 1, Clause 2, Schedule 1 to the Regulation;
- (c) the sum of the manufacturer's mass limits for the prime mover (GVM) and the semi-trailers; or
- (d) the gross combination mass (GCM) limit specified by the prime mover manufacturer.

4.5 Road Train exceeding 36.5 metres but not exceeding 53.5 metres in length – equipped with certified road friendly suspension

The following total combination mass limits apply to a road train with an overall length not exceeding 53.5 metres fitted with two tri-axle converter dollies both of which are equipped with certified road friendly suspension. The maximum permissible total combination mass is the lowest of:

- (a) 122.5 tonnes;
- (b) the sum of the axle and axle group mass limits as determined by Table 1, Clause 2, Schedule 1 to the Regulation;
- (c) the sum of the manufacturers' mass limits for the prime mover (GVM) and the semi-trailers; or
- (d) the gross combination mass (GCM) limit specified by the prime mover manufacturer.

4.6 Road Train exceeding 36.5 metres but not exceeding 53.5 metres in length – equipped with certified road friendly suspension on one tri-axle dolly

Where a road train exceeding 36.5 metres but not exceeding 53.5 metres in length is fitted with two converter dollies one of which is a tri-axle converter dolly which is equipped with certified road friendly suspension and one is a converter dolly (whether one, two or three axles) which is not equipped with certified road friendly suspension the maximum permissible total combination mass limits is the lowest of:

- (a) 119.0 tonnes;
- (b) the sum of the axle and axle group mass limits as determined by Table 1, Clause 2, Schedule 1 to the Regulation;
- (c) the sum of the manufacturers' mass limits for the prime mover (GVM) and the semi-trailers; or
- (d) the gross combination mass (GCM) limit specified by the prime mover manufacturer.

PART 5 – VEHICLE REQUIREMENTS**5. Requirements for a road train that is fitted with one or more tri-axle converter dollies:**

5.1 Evidence verifying that each tri-axle converter dolly is fitted with certified road friendly suspension must be produced when requested to do so by a police officer or an authorised person.

5.2 For the purposes of paragraph 5.1 the following evidence may be produced:

- i) a manufacturer's decal, label or plate affixed to, or near, the suspension system indicating the Road Friendly Suspension Certificate Number; or
- ii) a certification or signed letter from the manufacturer identifying the certified road friendly suspension make and model; or
- iii) any other documentation approved by RMS.

PART 6 – AXLE SPACINGS

6. Requirements for road trains having an overall length not exceeding 36.5 metres which are fitted with one tri-axle converter dolly:

- 6.1 A road train which complies with paragraph 4.4 must maintain axle spacings which are not less than the spacings indicated in Figure 1.
- 6.2 For the purposes of paragraph 6.1, X in Figure 1 means the distance in metres between the centre of the last axle of the tri-axle group of the leading semi-trailer and the centre of the first axle of the converter dolly tri-axle group (together referred to as the axle groups).
- 6.3 Where X is equal to or greater than the distance stated in the left hand column of Table A the combined mass of the axle groups must not exceed the mass in tonnes stated in the corresponding section of the right hand column of Table A and neither of the axle groups individually may exceed 20 tonnes.
- 6.4 The axle spacings provided in Part 3 of Table 2 of Schedule 1 to the Regulation do not apply to a road train to which this Part applies.

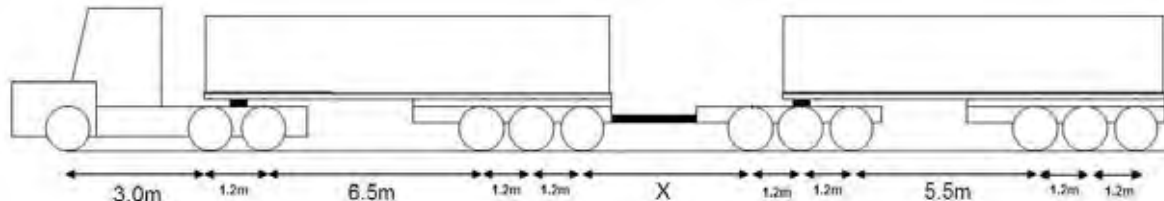


Figure 1 – minimum axle spacings for a road train which has an overall length not exceeding 36.5 metres and is fitted with one tri-axle converter dolly with certified road friendly suspension

Note: Axle spacing between any two adjacent axles is measured from the centre line of the axles, as illustrated in Figure 1.

Table A

<i>Distance 'X' (in metres)</i>	<i>Combined mass limit for the adjacent tri-axle groups (tonnes)</i>
3.0	36.0
3.2	36.5
3.4	37.0
3.5	37.5
3.7	38.0
3.9	38.5
4.0	39.0
4.2	39.5
4.4	40.0

NOTE: Axle spacing requirements are affected by whether a road train is a Type 1 or a Type 2 road train and whether it is equipped with a tri-axle converter dolly fitted with certified road friendly suspension (because of the increased mass available).

For the purposes of this Note:

a **Type 1 road train** is an A-double road train with an overall length not exceeding 36.5 metres; and

a **Type 2 road train** is an A-triple road train with an overall length exceeding 36.5 metres in length but not exceeding 53.5 metres.

Please note the following:

A Type 1 road train operating under paragraph 4.4 of this Notice must comply with the axle spacings set out in Part 6 of this Notice.

A Type 1 road train operating under paragraph 4.2 of this Notice must comply with the axle spacing requirements specified in Part 3 of Table 2 of Schedule 1 to the Road Transport (Mass, Loading and Access) Regulation 2005.

Part 6 of this Notice does not apply to a Type 2 road train. A Type 2 road train must comply with the axle spacing requirements specified in Part 3 of Table 2 of Schedule 1 to the Road Transport (Mass, Loading and Access) Regulation 2005.

If an operator reconfigures a Type 2 road train to become a Type 1 road train different axle spacings may apply and *it is the operator's responsibility to ensure that the different requirements are met when there has been a change of vehicle configuration.*

APPENDIX 1

PART 1 – APPROVED 36.5 METRE ROAD TRAIN ROUTES

Note: The following links help clarify where a road or council is located:

www.rta.nsw.gov.au/heavyvehicles/oversizeovermass/rav_maps.html

www.rta.nsw.gov.au/doingbusinesswithus/downloads/lgr/western_region_map.pdf

www.rta.nsw.gov.au/doingbusinesswithus/downloads/lgr/swr_location_map.pdf

Western Region					
Access to State roads listed below:					
<i>Type</i>	<i>Road No.</i>	<i>Road Name</i>	<i>Starting Point</i>	<i>Finishing Point</i>	<i>Conditions</i>
36.5m	7	Mitchell Highway	McNamaras Lane, Narromine	NSW/Queensland border at Barrington	
36.5m	7	Mitchell Highway	MR7508 Culling Road, Narromine	McNamaras Lane, Narromine	
36.5m	7	Mitchell Highway	Tantitha Road, Narromine	MR89 Dandaloo Road, Narromine	
36.5m	7	Mitchell Highway	Thompson Street, Dubbo	Tantitha Road, Narromine	
36.5m	8	Barrier Highway	Broken Hill City boundary, approx 6.4km east of Phillips Street	Broken Hill City boundary, approx 2m west of MR7507 Creedon Street	
36.5m	8	Barrier Highway	Broken Hill Town boundary, approx 2km west of MR7507 Creedon Street	NSW/SA border at Cockburn	
36.5m	8	Barrier Highway	HW7 Mitchell Highway	Broken Hill City boundary, approx 6.4km east of Phillips Street	
36.5m	11	Oxley Highway	HW7 Mitchell Highway, Nevertire	HW17 Newell Highway, Gilgandra	
36.5m	12	Gwydir Highway	HW17 Newell Highway, Moree	Biniguy Road, Biniguy	
36.5m	12	Gwydir Highway	HW18 Castlereagh Highway, north of Walgett	HW12 Gwydir Highway (Coolibah Road), Moree	
36.5m	12	Gwydir Highway (Balo Street)	HW12 Gwydir Highway (Gwydir Street), Moree	HW12 Gwydir Highway (Boggabilla Road), Moree	
36.5m	12	Gwydir Highway (Boggabilla Road)	HW12 Gwydir Highway (Balo Street), Moree	HW17 Newell Highway, Moree	
36.5m	12	Gwydir Highway (Coolibah Road)	HW12 Gwydir Highway (Greenbah Road)	HW12 Gwydir Highway (Gwydir Street)	
36.5m	12	Gwydir Highway (Gwydir Street)	HW12 Gwydir Highway (Coolibah Road)	HW12 Gwydir Highway (Balo Street), Moree	
36.5m	17	Newell Highway	NSW/Queensland border at Goondiwindi	1km north of Junction with HW11 Oxley Highway near Coonabarabran	

<i>Type</i>	<i>Road No.</i>	<i>Road Name</i>	<i>Starting Point</i>	<i>Finishing Point</i>	<i>Conditions</i>
36.5m	17	Newell Highway	HW18 Castlereagh Highway, Gilgandra	East Coonamble Road, Gilgandra	
36.5m	17	Newell Highway	Hargraves Lane, Gilgandra	Mahers Hill Road, Gilgandra (Ampol Truckstop)	
36.5m	17	Newell Highway	HW27 Golden Highway, Dubbo	Hargraves Lane, Gilgandra	
36.5m	17	Newell Highway (Erskine Street)	Thompson Street, Dubbo	HW17 Newell Highway (Bourke Street), Dubbo	
36.5m	17	Newell Highway	MR89 Tomingley Narromine Road, Tomingley	Rest Area 1km south, opposite Shell Roadhouse	
36.5m	17	Newell Highway	Abattoirs Road, Forbes	Back Yamma Road (Approx 8km north of Forbes)	
36.5m	17	Newell Highway	MR377 Lachlan Valley Way (South of Forbes)	Abattoirs Road, Forbes	
36.5m	18	Castlereagh Highway	HW17 Newell Highway, Gilgandra	NSW/Queensland border near Hebel Gate	
36.5m	21	Cobb Highway	HW8 Barrier Highway, 19km east of Wilcannia	Central Darling Carrathool Shire boundary	
36.5m	22	Silver City Highway	Broken Hill Town boundary, approx 4.7km north of Range Road	NSW/Queensland border at Warri Gate	
36.5m	22	Silver City Highway	HW8 Barrier Highway (Iodide Street), Broken Hill City	Broken Hill City boundary, approx 4.7km north of Range Road	
36.5m	22	Silver City Highway	Broken Hill City boundary, approx 550m south of MR7507 Kanandah Road	HW8 Barrier Highway, Broken Hill City	
36.5m	22	Silver City Highway	Unincorporated Area Wentworth Council boundary	Broken Hill Town boundary, approx 550m south of Kanandah Road	
36.5m	27	Golden Highway (Erskine Street)	HW17 Newell Highway (Bourke Street), Dubbo	Fitzroy Street, Dubbo	
36.5m	28	Carnarvon Highway (Garah Mungindi Road)	HW12 Gwydir Highway (Boggabilla Road), Moree	NSW/Queensland border at Mungindi	
36.5m	29	Kamilaroi Highway	HW17 Newell Highway, Narrabri	HW18 Castlereagh Highway, Walgett	
36.5m	29	Kamilaroi Highway	HW18 Castlereagh Highway, Walgett	HW7 Mitchell Highway, Bourke	

<i>Type</i>	<i>Road No.</i>	<i>Road Name</i>	<i>Starting Point</i>	<i>Finishing Point</i>	<i>Conditions</i>
36.5m	61	Hartigan Avenue	Brolgan Road, Parkes	Blaxland Street, Parkes	
36.5m	61	Westlime Road	Blaxland Street, Parkes	MR61 Condobolin Road, Parkes	
36.5m	61	Parkes Condobolin Road	MR61 Westlime Road, Parkes	MR57 West Wyalong Condobolin Road, Condobolin	
36.5m	70	Coolabah Brewarrina Road	HW7 Mitchell Highway, Coolabah	HW29 Kamilaroi Highway, Brewarrina	
36.5m	129	Coonamble Quambone Road	HW18 Castlereagh Highway, Coonamble	MR202 Warren Carinda Road, Quambone	
36.5m	410	Kidman Way	Carrathool Cobar Shire boundary	HW8 Barrier Highway, Cobar	
36.5m	421	Cobar Bourke Road	HW8 Barrier Highway, Cobar	Cobar Bourke Shire boundary	
36.5m	421	Cobar Bourke Road	Cobar Bourke Shire boundary	HW7 Mitchell Highway, Bourke	

South West Region

Access to State roads listed below:

<i>Type</i>	<i>Road No.</i>	<i>Road Name</i>	<i>Starting Point</i>	<i>Finishing Point</i>	<i>Conditions</i>
36.5m	6	Mid Western Highway	HW21 Cobb Highway, Hay	HW17 Newell Highway, West Wyalong	
36.5m	14	Sturt Highway	HW17 Newell Highway, Narrandera (Eastern Junction)	NSW/Victorian border, Mildura	
36.5m	17	Newell Highway	MR550 Corowa Tocumwal Road, Tocumwal	HW14 Sturt Highway (Western Junction), Narrandera	
36.5m	17	Newell Highway	HW14 Sturt Highway, Gillenbah (Eastern junction)	RR7608 Narrandera Barellan Road, Narrandera	
36.5m	17	Newell Highway	Tallimba Road, West Wyalong	MR639 Showground Road (West Wyalong Bypass)	
36.5m	20	Riverina Highway	HW21 Cobb Highway, Deniliquin	Osborne Street, Berrigan	
36.5m	22	Silver City Highway	HW14 Sturt Highway, Buronga	Wentworth Unincorporated Area boundary	
36.5m	80	Irrigation Way (Wamoon Avenue)	Entrance to Rice Distribution Centre on Wamoon Ave, 70m west of Acacia Ave	Canal Street, Leeton	
36.5m	80	Irrigation Way	Canal Street, Leeton	Murrami Road, Murrami	
36.5m	80	Irrigation Way	Murrami Road, Murrami	MR254 Whitton Stock Route Road, Yenda	

<i>Type</i>	<i>Road No.</i>	<i>Road Name</i>	<i>Starting Point</i>	<i>Finishing Point</i>	<i>Conditions</i>
36.5m	80	Irrigation Way	HW17 Newell Highway, Narrandera	River Street, Narrandera	
36.5m	321	Kidman Way	HW17 Newell Highway, Narrandera	Willandra Avenue, Griffith	
36.5m	321	Kidman Way	Kookora Avenue, Griffith	MR501 Lachlan Valley Way, Hillston	
36.5m	84	Burley Griffin Way	Moombooldool Sandy Creek Road, Moombooldool	MR254 Yenda Leeton Road, Yenda	
36.5m	84	Burley Griffin Way	Whitton Stock Route Road, Yenda	Debortolli Road, Bilbul	
36.5m	410	Kidman Way	MR80 Oxley Avenue, Hillston	Carrathool Cobar Shire boundary	
36.5m	639	Showground Road (West Wyalong Town Bypass Road)	HW17 Newell Highway, West Wyalong	Railway Road, West Wyalong	
36.5m	639	Compton Road (West Wyalong Town Bypass Road)	Railway Road, West Wyalong	Central Road, West Wyalong	
36.5m	694	Yanga Way	MR467 Stony Crossing Road (Swan Hill Kyalite Road), Kyalite	HW14 Sturt Highway, Balranald	

Balranald Shire Council (for State roads refer to South West Region)

Access to Regional and Local roads listed below or west of a line joining the intersection of Cobb Highway and Balranald Road in Ivanhoe with the centre of the Darling River Bridge at Wentworth.

<i>Type</i>	<i>Road No.</i>	<i>Road Name</i>	<i>Starting Point</i>	<i>Finishing Point</i>	<i>Conditions</i>
36.5m	67	Balranald Ivanhoe Road	HW14 Stuart Highway	Balranald Central Darling Shire boundary, approx 35km south of Ivanhoe	
36.5m	514	Oxley Road (Hay Penarie Road)	HW21 Cobb Highway	MR67 Balranald Ivanhoe Road	
36.5m		Abbots Tank Road	Euston Prungle Road	HW14 Sturt Highway	Note – check with council for road closures.
36.5m		Ballandella Street	Moa Street	Mayall Street	
36.5m		Bank Street	Church Street	Island Road	
36.5m		Benanee Road	HW14 Sturt Highway	Euston Prungle Road	Note – check with council for road closures.
36.5m		Church Street	MR67 McCabe Street	Bank Street	
36.5m		Clare Oxley Road	MR514 Oxley Road	Nandum Corrong Road	
36.5m		Court Street	HW14 Sturt Highway	Mayall Street	
36.5m		Duryea Street	HW14 Sturt Highway	Saleyards at end of Duryea Street, approx 1.1km from HW14 Sturt Highway	

<i>Type</i>	<i>Road No.</i>	<i>Road Name</i>	<i>Starting Point</i>	<i>Finishing Point</i>	<i>Conditions</i>
36.5m		Euston Prungle Road	HW14 Sturt Highway	Prungle Mail Road	Note – check with council for road closures.
36.5m		Island Road	Bank Street	MR67 McCabe Street	
36.5m		Kyalite Road	MR694 Yanga Way	Pearsons Road	
36.5m		Mayall Street	Court Street	Ballandella Street	
36.5m		McCabe Street	HW14 Sturt Highway	MR67 Balranald Ivanhoe Road	
36.5m		Meilman Road	HW14 Sturt Highway	Meilman Station entrance	Note – check with council for road closures.
36.5m		Moa Street	HW14 Sturt Highway	MR67 Balranald Ivanhoe Road	
36.5m		Moa Street	HW14 Sturt Highway	Ballandella Street	
36.5m		Murray Valley Way	HW14 Sturt Highway	NSW/Victorian border	
36.5m		Pearsons Road	Kyalite Road	Pearsons entrance, 600m from Kyalite Road	
36.5m		Prungle Mail Road	HW14 Sturt Highway	Euston Prungle Road	Note – check with council for road closures.
36.5m		Tapalin Mail Road	HW14 Sturt Highway	Balranald/ Wentworth Shire boundary	Note – check with council for road closures.
36.5m		Tillara Road	HW14 Sturt Highway	Tillara Station entrance	Note – check with council for road closures.
36.5m		We Street	HW14 Sturt Highway	Ballandella Street	
36.5m		Weimby Benongal Road	Windomal Road	Weimby Kyalite Road	Note – check with council for road closures.
36.5m		Windomal Road	HW14 Sturt Highway	Weimby Kyalite Road	Note – check with council for road closures.

Berrigan Shire Council (for State roads refer to South West Region)

Access to Regional and Local roads listed below:

<i>Type</i>	<i>Road No.</i>	<i>Road Name</i>	<i>Starting Point</i>	<i>Finishing Point</i>	<i>Conditions</i>
36.5m		Barnes Road	South Coree Road	Conargo Shire boundary, Logie Brae Road	
36.5m		Burma Road	McCullochs Road	Approx 1.5km from McCullochs Road to Sportavias Gate	
36.5m		Bushfield Road	Edgecombe Road	Sullivans Road	No access June to September inclusive.
36.5m		Corcoran Street	MR564 Jerilderie Street	Drummond Street	Access only permitted when Chanter Street, Berrigan is closed.

<i>Type</i>	<i>Road No.</i>	<i>Road Name</i>	<i>Starting Point</i>	<i>Finishing Point</i>	<i>Conditions</i>
36.5m		Cruickshanks Road	Edgecombe Road	Oakenfall Road	No access June to September inclusive.
36.5m		Dales Road	Tongs Road	Edward Street	
36.5m		Drummond Street	Corcoran Street	HW20 Riverina Highway	Access only permitted when Chanter Street, Berrigan is closed.
36.5m		Edgecombe Road	Mills Road	Bushfield Road	No access June to September inclusive.
36.5m		Edward Street	Dales Road	Finley Truck Wash	
36.5m		Greggerys Road	MR564 Jerilderie Road	Unnamed Road, Access to Barretts Tyre Service	
36.5m		Hamilton Street	HW20 Riverina Highway	Brookmanns Road	
36.5m		Harley Court	Rice Mill Road	Entire length, approx 400m from Rice Mill Road	
36.5m		Hogans Road	Pine Lodge Road	Pine Lodge Road	
36.5m		James Court	Rice Mill Road	Entire length, approx 250m from Rice Mill Road	
36.5m		Logie Brae Road	Barnes Road	Duncans Road	
36.5m		Lower River Road	Tuppal Road	Berrigan Conargo Shire boundary, approx 17km from Tuppal Road	Speed limit 70km/hr. No access May to October inclusive.
36.5m		Marshes Road	MR564 Berrigan Jerilderie Road	Approx 2km to Namarang Pty Ltd property	
36.5m		McCullochs Road	Racecourse Road	Burma Road	
36.5m		Mills Road	HW17 Newell Highway	Edgecombe Road	No access June to September inclusive.
36.5m		Oakenfall Road	MR564 Berrigan Jerilderie Road	Hayfield Road	No access June to September inclusive.
36.5m		Osborne Street	HW20 Riverina Highway	Barooga Street, McNaughts entrance	
36.5m		Pine Lodge Road	Hogans Road	Berrigan Conargo Shire boundary, approx 4.5km from Hogans Road	
36.5m		Pine Lodge Road	HW17 Newell Highway	Hogans Road	
36.5m		Pyles Road	MR564 Berrigan Jerilderie Road	Sullivans Road	No access June to September inclusive.
36.5m		Racecourse Road	HW17 Newell Highway	McCullochs Road	
36.5m		Rice Mill Road	HW17 Newell Highway	500m west of HW17 to 2nd entrance of Rice Mill property	

<i>Type</i>	<i>Road No.</i>	<i>Road Name</i>	<i>Starting Point</i>	<i>Finishing Point</i>	<i>Conditions</i>
36.5m		Rockcliffs Road	MR356 Oaklands Road	Shands Road	No access June to September inclusive.
36.5m		Shands Road	Rockcliffs Road	Victorian Park Road	No access June to September inclusive.
36.5m		Silo Road	Tuppal Road	HW17 Newell Highway	
36.5m		South Coree Road	HW20 Riverina Highway	Berrigan Jerilderie Shire boundary at Duncans Road	
36.5m		Sullivans Road	Bushfield Road	Pyles Road	No access June to September inclusive.
36.5m		Townsend Street	HW17 Newell Highway	Hamilton Street	
36.5m		Tuppal Road	HW17 Newell Highway	Conargo Berrigan Shire boundary, at Tuppal Creek Bridge	
36.5m		Unnamed Lane	Greggerys Road	Approx 200m to Barretts Tyre Service	
36.5m		Victoria Park Road	MR564 Berrigan Jerilderie Road	Mortons Road	No access June to September inclusive.
36.5m		Wells Street	HW17 Newell Highway	Approx 200m to GrainCorp Operations Ltd Silos	

Bland Shire Council (for State roads refer to South West Region)

Access to Regional and Local roads listed below:

<i>Type</i>	<i>Road No.</i>	<i>Road Name</i>	<i>Starting Point</i>	<i>Finishing Point</i>	<i>Conditions</i>
36.5m	57	West Wyalong Condobolin Road	HW6 Mid Western Highway	Bland Lachlan Shire boundary at Barrons West Road	
36.5m	231	Girral Lake Cargelligo Road	MR57 West Wyalong Condobolin Road	Bland Lachlan Shire boundary at Weja Ugalong Road	
36.5m		Ariah Park Road	Tallimba Road	Meaghers Lane	Speed limit 80km/hr.
36.5m		Bashams Lane	Gunn Road	Timothys Lane	Speed limit 80km/hr. Note – check with council for road closures.
36.5m		Beatties Lane	Kolkilbertoo Road	Overs Lane	Speed limit 80km/hr. Note – check with council for road closures.
36.5m		Begargo Road	Bland Lachlan Shire boundary, approx 2.3km west of Mercers Lane	Bland Lachlan Shire boundary, approx 1km north of Mercers Lane	Speed limit 80km/hr. Note – check with council for road closures.
36.5m		Begargo Road	MR371 Rankins Springs Road	Bland Lachlan Shire boundary, approx 2.3km west of Mercers Lane	No access March to October inclusive.

<i>Type</i>	<i>Road No.</i>	<i>Road Name</i>	<i>Starting Point</i>	<i>Finishing Point</i>	<i>Conditions</i>
36.5m		Bimbeen Road	MR57 West Wyalong Condobolin Road	Koops Lane	Speed limit 80km/hr. Note – check with council for road closures.
36.5m		Blow Clear Road	Wamboyne Road	Bonehams Lane	Speed limit 80km/hr.
36.5m		Bonehams Lane	Blow Clear Road	Cowal Gold Access	Speed limit 80km/hr.
36.5m		Bootoowa Road	MR371 Rankins Springs Lake Cargelligo Road	Morris Lane	Speed limit 80km/hr. Note – check with council for road closures.
36.5m		Boreamble Road	Kikoira Road	Bland Lachlan Shire boundary at Tuggerabach Road	Speed limit 80km/hr. Note – check with council for road closures.
36.5m		Brennans Tank Road	Halls Lane	Bygoo Road	Speed limit 80km/hr. Note – check with council for road closures.
36.5m		Brolga Road	HW6 Mid Western Highway	Thulloo Road	Speed limit 80km/hr.
36.5m		Browns Lane	HW6 Mid Western Highway	Merrengreen Road	Speed limit 80km/hr. Note – check with council for road closures.
36.5m		Bulga Street	Warrego Street	Hill Street	
36.5m		Buralyang Road	Bygoo Road	Sandy Creek Road	Speed limit 80km/hr.
36.5m		Bygoo Road	Kikoira Street, Tallimba	Bland Coolamon Shire boundary, Stewarts Lane	Speed limit 80km/hr.
36.5m		Calleen Lane	MR57 West Wyalong Condobolin Road	MR57 West Wyalong Condobolin Road	Speed limit 80km/hr. Note – check with council for road closures.
36.5m		Calleen Street	Central Road (North end)	200m west from Central Road	
36.5m		Central Road	HW17 Newell Highway (Neeld Street)	MR639 Compton Road (West Wyalong Bypass)	
36.5m		Chanters Lane	HW6 Mid Western Highway	Mud Hut Road East	Speed limit 80km/hr. Note – check with council for road closures.
36.5m		Clear Ridge Road	HW17 Newell Highway	Blow Clear Road	Speed limit 80km/hr. Note – check with council for road closures.
36.5m		Clements Lane	HW6 Mid Western Highway	Tallimba Road	Speed limit 80km/hr. Note – check with council for road closures.

<i>Type</i>	<i>Road No.</i>	<i>Road Name</i>	<i>Starting Point</i>	<i>Finishing Point</i>	<i>Conditions</i>
36.5m		Clowery Tank Road	Dundas Road	Mud Hut Road West	Speed limit 80km/hr. Note – check with council for road closures.
36.5m		Collins Lane	MR57 West Wyalong Condobolin Road	Pace Farm Access, approx 900m from MR57 West Wyalong Condobolin Road	Speed limit 80km/hr.
36.5m		Crown Camp Road	MR231 Giral Lake Cargelligo Road	Bland Lachlan Shire boundary, approx 2km south of Swansons Road	Speed limit 80km/hr.
36.5m		Dagleish Lane	Bygoo Road	Gunn Road	Speed limit 80km/hr. Note – check with council for road closures.
36.5m		Danahers Lane	Johns Road	South Yalgogrin Road	Speed limit 80km/hr. Note – check with council for road closures.
36.5m		Dundas Road	HW6 Mid Western Highway	Bradburys Lane	Speed limit 80km/hr.
36.5m		Dunlops Lane	Brennans Tank Road	Russells Lane	Speed limit 80km/hr. Note – check with council for road closures.
36.5m		Euratha Road	HW6 Mid Western Highway	Carrathool Bland Shire boundary, approx 2km south of Martens Lane	Speed limit 80km/hr. Note – check with council for road closures.
36.5m		Fishers Lane	Kolkilbertoo Road	Sandy Creek Road	Speed limit 80km/hr. Note – check with council for road closures.
36.5m		Flaggs Lane	Gunn Road	Danahers Lane	Speed limit 80km/hr. Note – check with council for road closures.
36.5m		Fullers Lane	MR231 Giral Lake Cargelligo Road	Merrengreen Road	Speed limit 80km/hr. Note – check with council for road closures.
36.5m		Genista Road	Kolkilbertoo Road	Sandy Creek Road	Speed limit 80km/hr. Note – check with council for road closures.
36.5m		Giral Road	Wamboyne Road	MR57 West Wyalong Condobolin Road	Speed limit 80km/hr. Note – check with council for road closures.
36.5m		Griffiths Lane	Naradhan Road	Tuggerabach Road	Speed limit 80km/hr. Note – check with council for road closures.

<i>Type</i>	<i>Road No.</i>	<i>Road Name</i>	<i>Starting Point</i>	<i>Finishing Point</i>	<i>Conditions</i>
36.5m		Gubbatta Road	Naradhan Road	Tuggerabach Road	Speed limit 80km/hr. Note – check with council for road closures.
36.5m		Gunn Road	Manglesdorfs Road	Sandy Creek Road	Speed limit 80km/hr. Note – check with council for road closures.
36.5m		Halls Lane	Ariah Park Road	Brennans Tank Road	Speed limit 80km/hr. Note – check with council for road closures.
36.5m		Hannan Road	HW6 Mid Western Highway	Mud Hut Road West	Speed limit 80km/hr. Note – check with council for road closures.
36.5m		Hatelys Lane	AWB Access Road, approx 900m from MR57 West Wyalong Condobolin Road	Calleen Lane	Speed limit 80km/hr. Note – check with council for road closures.
36.5m		Hatelys Lane	MR57 West Wyalong Condobolin Road	AWB Access Road, approx 900m from MR57 West Wyalong Condobolin Road	Speed limit 80km/hr.
36.5m		Heatons Lane	Hannan Road	Kneales Lane	Speed limit 80km/hr. Note – check with council for road closures.
36.5m		Jansens Lane	Kolkilbertoo Road	Euratha Road	Speed limit 80km/hr. Note – check with council for road closures.
36.5m		Johns Road	Gunn Road	Danahers Lane	Speed limit 80km/hr. Note – check with council for road closures.
36.5m		Kikoira Road	MR231 Girral Lake Cargelligo Road	Dundas Road	Speed limit 80km/hr.
36.5m		Kolkilbertoo Road	Wilga Street, Weethalle	Bland Narrandera Shire boundary, approx 1km west of Genista Road	Speed limit 80km/hr.
36.5m		Langes Lane	Clements Lane	Pfeiffers Lane	Speed limit 80km/hr. Note – check with council for road closures.
36.5m		Lewes Road	HW6 Mid Western Highway	Paynes Road	Speed limit 80km/hr. Note – check with council for road closures.
36.5m		Livingstone Road	Wamboyne Road	Bland Lachlan Shire boundary, approx 200m north of Wamboyne Road	Speed limit 80km/hr. Note – check with council for road closures.

<i>Type</i>	<i>Road No.</i>	<i>Road Name</i>	<i>Starting Point</i>	<i>Finishing Point</i>	<i>Conditions</i>
36.5m		Mallons Lane	Mud Hut Road West	Rutledges Road	Speed limit 80km/hr. Note – check with council for road closures.
36.5m		Malones Lane	Kolkilbertoo Road	Euratha Road	Speed limit 80km/hr. Note – check with council for road closures.
36.5m		Manglesdorfs Lane	Bygoo Road	Gunn Road	Speed limit 80km/hr. Note – check with council for road closures.
36.5m		Martens Lane	Kolkilbertoo Road	Euratha Road	Speed limit 80km/hr. Note – check with council for road closures.
36.5m		Meaghers Lane	Ariah Park Road	Tallimba Road	Speed limit 80km/hr. Note – check with council for road closures.
36.5m		Mercers Lane	Begargo Road	Tuggerabach Road	Speed limit 80km/hr. Note – check with council for road closures.
36.5m		Merrengreen Road	MR231 Girral Lake Cargelligo Road	Fullers Lane	Speed limit 80km/hr. Note – check with council for road closures.
36.5m		Minogues Lane	HW6 Mid Western Highway	Mulga Lane	Speed limit 80km/hr. Note – check with council for road closures.
36.5m		Monia Gap Road	MR371 Rankins Springs Lake Cargelligo Road	Warburtons Lane	Speed limit 80km/hr. Note – check with council for road closures.
36.5m		Morris Lane	Monia Gap Road	Bootoowa Road	Speed limit 80km/hr. Note – check with council for road closures.
36.5m		Mud Hut Road East	Dundas Road	Thulloo Road	Speed limit 80km/hr. Note – check with council for road closures.
36.5m		Mud Hut Road West	Dundas Road	Hannan Road	Speed limit 80km/hr. Note – check with council for road closures.
36.5m		Mulga Lane	Hatelys Lane	Cattles Lane	Speed limit 80km/hr. Note – check with council for road closures.

<i>Type</i>	<i>Road No.</i>	<i>Road Name</i>	<i>Starting Point</i>	<i>Finishing Point</i>	<i>Conditions</i>
36.5m		Naradhan Road	Budda Street	Dundas Road	Speed limit 80km/hr. Note – check with council for road closures.
36.5m		Narriah Road	HW6 Mid Western Highway	Lewes Road	Speed limit 80km/hr. Note – check with council for road closures.
36.5m		Overs Lane	Kolkilbertoo Road	Beatties Lane	Speed limit 80km/hr. Note – check with council for road closures.
36.5m		Oxley Road	HW6 Mid Western Highway	Stuarts Lane	Speed limit 80km/hr. Note – check with council for road closures.
36.5m		Paynes Road	HW6 Mid Western Highway	Bygoo Road	Speed limit 80km/hr. Note – check with council for road closures.
36.5m		Pfeiffers Lane	HW6 Mid Western Highway	Langes Lane	Speed limit 80km/hr. Note – check with council for road closures.
36.5m		Pine Road	Naradhan Road	Naradhan Grain Silo	Speed limit 80km/hr. Note – check with council for road closures.
36.5m		Popes Lane	Bygoo Road	Dunlops Lane	Speed limit 80km/hr. Note – check with council for road closures.
36.5m		Ridleys Lane	MR57 West Wyalong Condobolin Road	Hatelys Lane	Speed limit 80km/hr. Note – check with council for road closures.
36.5m		Russells Lane	Bygoo Road	Dunlops Lane	Speed limit 80km/hr. Note – check with council for road closures.
36.5m		Russells Lane	MR231 Girral Lake Cargelligo Road	Deacons Lane	Speed limit 80km/hr. Note – check with council for road closures.
36.5m		Rutledges Lane	Talleeban Road	Dundas Lane	Speed limit 80km/hr. Note – check with council for road closures.
36.5m		Sandy Creek Road	Genista Road	Lewes Road	Speed limit 80km/hr. Note – check with council for road closures.
36.5m		Showground Road	HW6 Mid Western Highway	HW17 Newell Highway	Speed limit 80km/hr.

<i>Type</i>	<i>Road No.</i>	<i>Road Name</i>	<i>Starting Point</i>	<i>Finishing Point</i>	<i>Conditions</i>
36.5m		South Yalgogrin Road	Sandy Creek Road	Gunn Road	Speed limit 80km/hr. Note – check with council for road closures.
36.5m		Spencers Lane	Yalgogrin Road	Manglesdorfs Lane	Speed limit 80km/hr. Note – check with council for road closures.
36.5m		Sullivans Lane	Girral Road	Wamboyne Road	Speed limit 80km/hr. Note – check with council for road closures.
36.5m		Talleeban Road	Kneales Lane	Mud Hut Road West	Speed limit 80km/hr. Note – check with council for road closures.
36.5m		Talleeban Road	Mud Hut Road West	Naradhan Road	Speed limit 80km/hr. Note – check with council for road closures.
36.5m		Tallimba Road	Hiawatha Street, Tallimba	Kikoira Street, Tallimba	Speed limit 80km/hr.
36.5m		Tallimba Road	HW17 Newell Highway	Hiawatha Street, Tallimba	Speed limit 80km/hr.
36.5m		Thullooo Road	HW6 Mid Western Highway	Kikoira Road	Speed limit 80km/hr. Note – check with council for road closures.
36.5m		Timothys Lane	Bygoo Road	Buralyang Road	Speed limit 80km/hr. Note – check with council for road closures.
36.5m		Tuggerabach Road	Bland Lachlan Shire boundary, approx 1.4km west of Bradburys Lane	Blackers Lane	Speed limit 80km/hr. Note – check with council for road closures.
36.5m		Tuggerabach Road	Bland Lachlan Shire boundary, approx 1.4km west of Bradburys Lane	Weja Road	Speed limit 80km/hr. Note – check with council for road closures.
36.5m		Ungarie Condobolin Road	Crown Camp Road	Bland Lachlan Shire boundary, approx 600m north of Webbs Lane	Speed limit 80km/hr. Note – check with council for road closures.
36.5m		Wamboyne Dip Road	Livingstone Road	Bland Lachlan Shire boundary at Buttenshaws Lane	Speed limit 80km/hr. Note – check with council for road closures.
36.5m		Wamboyne Road	MR57 West Wyalong Condobolin Road	Livingstone Road	Speed limit 80km/hr.
36.5m		Warburtons Lane	MR368 Rankins Springs Hillston Road	Monia Gap Road	Speed limit 80km/hr. Note – check with council for road closures.

<i>Type</i>	<i>Road No.</i>	<i>Road Name</i>	<i>Starting Point</i>	<i>Finishing Point</i>	<i>Conditions</i>
36.5m		Warrego Street	HW6 Mid Western Highway	Wilga Street	
36.5m		Weja Road	MR231 Girral Lake Cargelligo Road	Kikoira Road	Speed limit 80km/hr. Note – check with council for road closures.
36.5m		Wilga Plains Road	Crown Camp Road	Deacons Lane	Speed limit 80km/hr. Note – check with council for road closures.
36.5m		Winnunga Road	MR231 Girral Lake Cargelligo Road	Kikoira Road	Speed limit 80km/hr. Note – check with council for road closures.
36.5m		Yarran Street	MR371 Rankin Springs Lake Cargelligo Road	Budda Street	Speed limit 80km/hr. Note – check with council for road closures.
36.5m		Younga Plains Road	MR57 West Wyalong Condobolin Road	Wamboyne Road	Speed limit 80km/hr. Note – check with council for road closures.
36.5m		Youngareen Road	HW6 Mid Western Highway	Kikoira Road	Speed limit 80km/hr. Note – check with council for road closures.

Bogan Shire Council (for State roads refer to Western Region)

Access to all Regional and Local roads within the Bogan Shire Council area located north of HW8 Barrier Highway and west of Colane Road and roads separately listed.

<i>Type</i>	<i>Road No.</i>	<i>Road Name</i>	<i>Starting Point</i>	<i>Finishing Point</i>	<i>Conditions</i>
36.5m	57	Tullamore Nyngan Road	HW7 Mitchell Highway	Lunaria Road, Bogan Lachlan Shire boundary	
36.5m	424	Stoney Hills Mundadoo Road (Monkey Bridge Road)	MR70 Coolabah Brewarrina Road	Bogan Warren Shire boundary	
36.5m	461	Cobar Condobolin Road	Lachlan Bogan Shire boundary	Bogan Cobar Shire boundary, Nangerybone State Forest	
36.5m	7514	Melrose Muddal Road (Cockies Road)	MR57 Tullamore Nyngan Road	Lachlan Bogan Shire boundary	
36.5m		Backhouses Road	Kidstons Road	End of road, approx 3.5km	
36.5m		Benah Road	Canonba Road	Colane Road	
36.5m		Billandry Road	Bobadah Road	Landsdale Road, Lachlan Bogan Shire boundary	
36.5m		Bobadah Road	Bogan Lachlan Shire boundary	Billandry Road	

<i>Type</i>	<i>Road No.</i>	<i>Road Name</i>	<i>Starting Point</i>	<i>Finishing Point</i>	<i>Conditions</i>
36.5m		Bobadah Road	Pangee Road	Bogan Lachlan Shire boundary	
36.5m		Booramugga Road	HW7 Mitchell Highway	Elmore Road	
36.5m		Bourkes Lane	Gilgai Road	Pangee Road	
36.5m		Buckinguy Road	Colane Road	Bogan Warren Shire boundary	
36.5m		Buddebadah Road	Mulla Road (Warren Bogan Shire boundary)	Dandaloo Road	
36.5m		Budgery Road	HW8 Barrier Highway	End of road, approx 2.5km	
36.5m		Cannonbar Street	Cemetery Road	150m west of Cemetery Road	
36.5m		Canonba Road	Moonagee Road	Bogan Warren Shire boundary	
36.5m		Cathundral Bogan Road	Warren Narromine Shire boundary (Box Cowal property)	Dandaloo Road	
36.5m		Cemetery Road	Pangee Street	Cannonbar Street	
36.5m		Coffils Lane	Gilgai Road	Pangee Road	
36.5m		Colane Road	Canonba Road	Bogan Warren Shire boundary	
36.5m		Colbain Road	Bobadah Road	End of road, approx 4km	
36.5m		Cooneybar Road	Cobar Bogan Shire boundary	HW7 Mitchell Highway	
36.5m		Cooney's Road	HW8 Barrier Highway	End of road, approx 9km	
36.5m		Coxs Road	MR424 Stoney Hills Mundadoo Road (Monkey Bridge Road)	End of road, approx 8.5km	
36.5m		Currans Road	Gilgai Road	MR228 Hermidale Nymagee Road	
36.5m		Dandaloo Road	MR57 Tullamore Nyngan Road	Warren Bogan Shire boundary	
36.5m		Dandaloo Road	Warren Bogan Shire boundary	Warren Narromine Shire boundary	
36.5m		Days Road	HW7 Mitchell Highway	End of road, approx 5km	
36.5m		Derrybong Street	Flashman Avenue	HW7 Mitchell Highway (Nymagee Street)	
36.5m		Dickson's Road	Canbellego Road	End of road, approx 6km	
36.5m		Doneys Road	MR70 Coolabah Brewarrina Road	End of road, Grid approx 17km	

<i>Type</i>	<i>Road No.</i>	<i>Road Name</i>	<i>Starting Point</i>	<i>Finishing Point</i>	<i>Conditions</i>
36.5m		Drummeys Road	Pangee Road	End of road, approx 8km	
36.5m		East Nyngan Road	Boundary Road (Levee Bank)	End of road, approx 1.4km	
36.5m		Elmore Road	Booramugga Road	Cooneybar Road	
36.5m		Eulo Glen Road	Buddabadah Road	End of road, approx 7.5km	
36.5m		Fergusons Road	Booramugga Road	End of road, approx 6.8km	
36.5m		Flashman Avenue	Derrybong Street	Hoskins Street	
36.5m		Ford Street	Nyngan Street	HW7 Mitchell Highway (Pangee Street)	
36.5m		Fords Road	MR461 Cobar Condobolin Road	End of road, approx 12km	
36.5m		Gibson Road	Mulla Road	Buddebadah Road	
36.5m		Gilgai Road	HW8 Barrier Highway	MR228 Hermidale Nymagee Road	
36.5m		Glengariff Road	Peisley Road	RR7514 Melrose Muddal Road (Cockies Road)	
36.5m		Gongolgon Road	MR424 Stoney Hills Mundadoo Road (Monkey Bridge Road)	Murrawombie Road	
36.5m		Healy's Road	MR228 Hermidale Nymagee Road	End of road, approx 5.3km	
36.5m		Honeybugle Road	Pangee Road	Peisley Road	
36.5m		Hoskins Street	Flashman Avenue	Boundary Road (Levee Bank)	
36.5m		Jefferys Road	MR228 Hermidale Nymagee Road	End of road, approx 5.5km	
36.5m		John Butler Road	HW7 Mitchell Highway	End of road, approx 1.5km	
36.5m		Johnsons Road	Booramugga Road	End of road, approx 5km	
36.5m		Jumps Road	HW7 Mitchell Highway	Balgillo Gate, approx 10km	
36.5m		Kallara Road	MR228 Hermidale Nymagee Road	HW8 Barrier Highway	
36.5m		Kamanganon Road	Glengariff Road	End of road, approx 14.5km	
36.5m		Kelly's Road	Peisley Road	Gelengariff Road	
36.5m		Kidstons Road	MR57 Tullamore Nyngan Road	Backhouses Road	
36.5m		Laroo Road	Cooney's Road	Whiterock Road	
36.5m		Larsen's Road	New Bogan Road	Windella Gate, approx 4km	

<i>Type</i>	<i>Road No.</i>	<i>Road Name</i>	<i>Starting Point</i>	<i>Finishing Point</i>	<i>Conditions</i>
36.5m		Logans Road	Warrah Road	End of road, approx 4km	
36.5m		Merryanbone Road	Canonba Road	Bogan Warren Shire boundary	
36.5m		Moonagee Road	Colane Road, Nyngan	End of road, approx 32km north of Nyngan	
36.5m		Moonagee Street	HW7 Mitchell Highway (Nymagee Street)	Colane Street	
36.5m		Mulla Road	HW7 Mitchell Highway	Gibson Road	
36.5m		Murrawombie Road	HW7 Mitchell Highway	Colane Road	
36.5m		Neeroc Road	HW8 Barrier Highway	End of road, approx 4.5km	
36.5m		New Bogan Road	Okeh Road	Larsen's Road	
36.5m		Nyngan Street	HW7 Mitchell Highway (Pangee Street)	Ford Street	
36.5m		Oatley Street	MR57 Tullamore Nyngan Road (Tottenham Road)	Hoskins Street	
36.5m		Okeh Road	Murrawombie Road	Okeh Gate, approx 20km	
36.5m		Old Warren Road	Hospital Road	Merryanbone Road	
36.5m		O'Neill's Road	HW8 Barrier Highway	Wilga Gate, approx 8.3km	
36.5m		Pangee Road	MR57 Tullamore Nyngan Road	MR461 Cobar Condobolin Road	
36.5m		Pangee Street	HW7 Mitchell Highway	Terangion Street	
36.5m		Pangee Street	Hoskins Street, Nyngan	Cemetery Road	
36.5m		Parkers Road	Pangee Road	End of road, approx 5km	
36.5m		Paynes Road	HW7 Mitchell Highway	End of road, approx 11.5km	
36.5m		Peisley Road	MR228 Nymagee Hermidale Road	RR7514 Melrose Muddal Road (Cockies Road)	
36.5m		Peisley Road	RR7514 Melrose Muddal Road (Cockies Road)	MR57 Tullamore Nyngan Road	
36.5m		Pepper Lane	Colane Road	End of road, approx 2.1km	
36.5m		Plummers Road	RR7514 Melrose Muddal Road (Cockies Road)	End of road, approx 28km	

<i>Type</i>	<i>Road No.</i>	<i>Road Name</i>	<i>Starting Point</i>	<i>Finishing Point</i>	<i>Conditions</i>
36.5m		Priors Road	HW7 Mitchell Highway	End of road, approx 5km	
36.5m		Rutherglen Road	HW8 Barrier Highway	End of road, approx 3.3km	
36.5m		Sarona Downs Road	MR228 Hermidale Nymagee Road	Entire length, approx 7.5km	
36.5m		Shannonvale Road	Plummers Road	End of road, approx 8km	
36.5m		Simpsons Road	MR57 Tullamore Nyngan Road	End of road, approx 4.5km	
36.5m		Singletons Road	HW7 Mitchell Highway	End of road, approx 3km	
36.5m		Ski Lane	Temples Lane	End of road, approx 600m	
36.5m		Tabratong Lane	Nevertire Bogan Road	Dandaloo Road	
36.5m		Temples Lane	HW8 Barrier Highway	End of road, approx 6.3km	
36.5m		Thornton Road	Tottenham Road	Cathundral Bogan Road	
36.5m		Tikkara Road	HW8 Barrier Highway	End of road, approx 1km	
36.5m		Tottenham Road	Nevertire Bogan Road	Warren Lachlan Shire boundary at Bogan River	
36.5m		Trethowan's Road	MR228 Hermidale Nymagee Road	End of road, approx 5km	
36.5m		Tubbavilla Road	MR424 Stoney Hills Mundadoo Road (Monkey Bridge Road)	End of road, approx 7km	
36.5m		Warrah Road	RR7514 Melrose Muddal Road (Cockies Road)	Lachlan Bogan Shire boundary (Logans Road)	
36.5m		Warrego Road	Booramugga Road	End of road, approx 4km	
36.5m		Wera Road	MR57 Tullamore Nyngan Road	End of road, approx 5km	
36.5m		West Bogan Road	HW7 Mitchell Highway	Grid end of road, approx 14.5km	
36.5m		Westlyn Road	HW8 Barrier Highway	End of road, approx 11km	
36.5m		Whiterock Road	HW8 Barrier Highway	End of road, approx 25km	
36.5m		Wilgaree Road	HW7 Mitchell Highway	End of road, approx 6.5km	
36.5m		Wyes Road	MR57 Tullamore Nyngan Road	End of road, approx 6.5km	
36.5m		Yarrandale Road	HW8 Barrier Highway	Booramugga Road	

<i>Type</i>	<i>Road No.</i>	<i>Road Name</i>	<i>Starting Point</i>	<i>Finishing Point</i>	<i>Conditions</i>
Bourke Shire Council (for State roads refer to Western Region)					
Access to all Regional and Local roads within Bourke Shire Council area.					
Brewarrina Shire Council (for State roads refer to Western Region)					
Access to all Regional and Local roads within Brewarrina Shire Council area.					
Broken Hill City Council (for State roads refer to Western Region)					
Access to Regional and Local roads listed below:					
<i>Type</i>	<i>Road No.</i>	<i>Road Name</i>	<i>Starting Point</i>	<i>Finishing Point</i>	<i>Conditions</i>
36.5m	66	Menindee Road	Broken Hill Town boundary, approx 8km from HW8 Barrier Highway	MR68 Pooncarie Menindee Road	
36.5m	66	Menindee Road	HW8 Barrier Highway	Broken Hill City boundary, approx 8km from HW8 Barrier Highway	
36.5m	81	Brookfield Avenue	Brown Street	HW8 Barrier Highway (Rakow Street)	
36.5m	81	Horsington Drive	Brown Street	Broken Hill City boundary, approx 2.4km from Brown Street	
36.5m	81	Silverton Road	Broken Hill City boundary, approx 2.4km from Brown Street	Umberumberka Reservoir	
36.5m	7507	Creedon Street	MR7507 Ryan Street	HW8 Barrier Highway (Rakow Street)	.
36.5m	7507	Kanandah Road	HW22 Silver City Highway	MR7507 Ryan Street	.
36.5m	7507	Ryan Street	MR7507 Kanandah Road	MR7507 Creedon Street	.
36.5m		Bagot Street	Wolfram Street	HW8 Barrier Highway	
36.5m		Brown Street	Oxide Street	Kaolin Street	
36.5m		Comstock Street	Patton Street	Eyre Street	
36.5m		Creedon Street	MR7507 Ryan Street	Gaffney Street	
36.5m		Crystal Street	HW22 Silver City Highway (Iodide Street)	MR66 Menindee Road	
36.5m		Cummins Street	Iodide Street	McCulloch Street	
36.5m		Eyre Street	Comstock Street	Holten Drive	
36.5m		Fisher Street	McCulloch Street	Murton Street	
36.5m		Gaffney Street	Creedon Street	HW22 Silver City Highway (South Street)	
36.5m		Harris Street	HW8 Barrier Highway (Rakow Street)	Newton Lane	
36.5m		Holten Drive	Eyre Street	MR66 Menindee Road	
36.5m		Iodide Street	Schlapp Street	Cummins Street	

<i>Type</i>	<i>Road No.</i>	<i>Road Name</i>	<i>Starting Point</i>	<i>Finishing Point</i>	<i>Conditions</i>
36.5m		Kanandah Place	MR7507 Kanandah Road	Industrial Sites (No Through Road)	.
36.5m		Kaolin Street	HW8 Barrier Highway (William Street)	Schlapp Street	
36.5m		Kaolin Street	Mica Lane	HW8 Barrier Highway (William Street)	No access between sunset and sunrise.
36.5m		McCulloch Street	Cummins Street	Fisher Street	
36.5m		Morgan Street	Kaolin Street	MR81 Brookfield Avenue	
36.5m		Murton Street	HW22 Silver City Highway (William Street)	Fisher Street	
36.5m		Newton Lane	Harris Street	Nicholls Street	
36.5m		Nicholls Street	Newton Lane	HW8 Barrier Highway (Rakow Street)	
36.5m		Nine Mile Road	Schlapp Street	Broken Hill City boundary, approx 6.7km from Schlapp Street	
36.5m		O'Farrell Street	Morgan Street	HW8 Barrier Highway (William Street)	
36.5m		Oxide Street	Brown Street	Schlapp Street	
36.5m		Patton Street	HW22 Silver City Highway (Bonanza Street)	Comstock Street	
36.5m		Pinnacles Place	Pinnacles Road	Entire length	
36.5m		Pinnacles Road	MR7507 Kanandah Road	Broken Hill Town boundary, approx 2.6km from MR7507 Kanandah Road	
36.5m		Piper Street	HW22 Silver City Highway (Bonanza Street)	Comstock Street	
36.5m		Schlapp Street	Oxide Street	Brazil Street	

Carrathool Shire Council (for State roads refer to South West Region)

Access to Regional and Local roads listed below:

<i>Type</i>	<i>Road No.</i>	<i>Road Name</i>	<i>Starting Point</i>	<i>Finishing Point</i>	<i>Conditions</i>
36.5m	80	Hillston to Mossgiel Road	Truck Parking Area, approx 300m north of MR410 Kidman Way	HW21 Cobb Highway, Mossgiel	Note – check with council for road closures.
36.5m	244	Carrathool Road	HW6 Mid Western Highway	MR7606 Tabbita Lane	
36.5m	321	Rankins Springs Road	Griffith Carrathool Shire boundary	Eight Mile Tank Road	
36.5m	368	Rankins Springs Hillston Road	HW6 Mid Western Highway	MR80 Kidman Way	Note – check with council for road closures.
36.5m	371	Rankins Springs to Lake Cargelligo Road	HW6 Mid Western Highway	Bland Lachlan Shire boundary	

<i>Type</i>	<i>Road No.</i>	<i>Road Name</i>	<i>Starting Point</i>	<i>Finishing Point</i>	<i>Conditions</i>
36.5m	501	Lachlan Valley Way	MR410 Willanthry Bridge The Priory Road	Carrathool Lachlan Shire boundary, approx 8.5km west of Mount Daylight Road	
36.5m	7606	Tabbita Lane	MR80 Kidman Way, Tabbita	MR244 Carrathool Road, Tabbita	
36.5m		Back Hillston Road	Melbergen Road	Cahills Road	Note – check with council for road closures.
36.5m		Boundary Street	Molesworth Street	MR501 Lachlan Valley Way	Note – check with council for road closures.
36.5m		Bradys Road	HW6 Mid Western Highway	Wollarma Road	Note – check with council for road closures.
36.5m		Cahills Road	Wollarma Road	Back Hillston Road	Note – check with council for road closures.
36.5m		Carego Lane	HW6 Mid Western Highway	Entrance to property "Bri Bri" a distance of approx 6km	Note – check with council for road closures.
36.5m		Cobram Street	HW6 Mid Western Highway	MR80 Kidman Way	
36.5m		Collins Street	MR368 Rankins Springs Road (McKenzies Road), Hillston	Pattersons Road	Note – check with council for road closures.
36.5m		Cowper Road	MR410 Kidman Way, Hillston	Milton Street	
36.5m		Devon Street	Melbergen Street, Merriwagga	Federation Road, Merriwagga	
36.5m		Erigolia Road	Carrathool Shire boundary, approx 1.7km south of Foys Road	Intersection of Erigolia Road and the Bluff Road a distance of 12 kilometres.	
36.5m		Erigolia Road	MR84 Burley Griffin Way	Binya Road, Narrandera Shire boundary a distance of 5 kilometres.	
36.5m		Farrer Street	Lowan Street	HW6 Mid Western Highway	No access 8:00-9:30am and 2:30-4:00pm on school days.
36.5m		Federation Road	MR80 Kidman Way, Merriwagga	Devon Street, Merriwagga	
36.5m		Ilkadoon Road	HW6 Mid Western Highway	MR7606 Tabbita Lane	Note – check with council for road closures.
36.5m		Jennings Road	Munros Street	HW6 Mid Western Highway	Note – check with council for road closures.
36.5m		Lachlan River Road	MR80 Hillston Mossgiel Road	MR410 Kidman Way	

<i>Type</i>	<i>Road No.</i>	<i>Road Name</i>	<i>Starting Point</i>	<i>Finishing Point</i>	<i>Conditions</i>
36.5m		Lowan Street	Cobram Street	Farrer Street	No access 8:00-9:30am and 2:30-4:00pm on school days.
36.5m		Melbergen Road	MR368 Rankins Springs Hillston Road	Back Hillston Road	Note – check with council for road closures.
36.5m		Melbergen Street	MR80 Kidman Way	Devon Street	Note – check with council for road closures.
36.5m		Merungle Road	MR80 Hillston Mossgiel Road	11.6km West to Brooklyn entrance	Note – check with council for road closures.
36.5m		Milton Road	Lachlan River Road	Cowper Street	
36.5m		Mitchells Road	MR410 Kidman Way	Property entrance approx 4.5km east of MR410 Kidman Way	Note – check with council for road closures.
36.5m		Molesworth Street	Regent Street	Boundary Street	
36.5m		Munros Street	HW6 Mid Western Highway	Jennings Road (2nd Occurrence)	
36.5m		Napier Street	Cobram Street	Bradys Road	No access 8:00-9:30am and 2:30-4:00pm on school days.
36.5m		Patterson Street	Collins Street, Hillston	Cowper Street	
36.5m		Regent Street	MR501 Lachlan Valley Way	Molesworth Street	
36.5m		Roto Road	MR80 Hillston Mossgiel Road	Matakana Road Intersection	Note – check with council for road closures.
36.5m		Silos Road	MR368 Rankins Springs Road	MR410 Kidman Way, Hillston	
36.5m		Smith Road	MR501 Lachlan Valley Way	MR80 Kidman Way	Note – check with council for road closures.
36.5m		Wallanthry Road	MR410 Kidman Way	Carrathool/Lachlan Cobar Shire boundary, approx 33km from MR410 Kidman Way	Note – check with council for road closures.
36.5m		Wollarma Road	Bradys Road	Cahills Road	Note – check with council for road closures.
Central Darling Shire Council (for State roads refer to Western Region)					
Access to all Regional and Local roads within Central Darling Shire Council area.					

<i>Type</i>	<i>Road No.</i>	<i>Road Name</i>	<i>Starting Point</i>	<i>Finishing Point</i>	<i>Conditions</i>
Cobar Shire Council (for State roads refer to Western Region)					
Access to all Regional and Local roads within Cobar Shire Council area except for:					
(1) Regional and Local roads within Cobar town;					
(2) Regional and Local roads within Euabalong West town;					
(3) Regional and Local roads within Euabalong town					
<i>Type</i>	<i>Road No.</i>	<i>Road Name</i>	<i>Starting Point</i>	<i>Finishing Point</i>	<i>Conditions</i>
36.5m	407	Cobar Louth Road	HW8 Barrier Highway, Cobar	Cobar Bourke Shire boundary	
36.5m	411	Euabalong Mount Hope Road	MR410 Kidman Way, Mount Hope	MR423 Lachlan Valley Way, Euabalong	
36.5m	416	Cobar Ivanhoe Road	HW8 Barrier Highway, Cobar	Belarabon Barnato Tank Road (MR415) at Belarabon	
36.5m	423	Lachlan Valley Way	Lachlan Cobar Shire boundary	MR411 Euabalong Mount Hope Road	
36.5m	7521	Condobolin Euabalong Road	Lachlan Cobar Shire boundary	MR411 Euabalong Mount Hope Road	
36.5m	7521	Uabba Street	MR411 Euabalong Mount Hope Road	RR7521 Condobolin Euabalong Road	
36.5m		Bathurst Street	HW8 Barrier Highway	Becker Street	
36.5m		Becker Street	Bathurst Street	Monaghan Street	
36.5m		Becker Street	Murray Street	Bourke Street	
36.5m		Blakey Street	Lewis Street	Woodiwiss Street	
36.5m		Bourke Street	Becker Street	HW8 Barrier Highway	
36.5m		Bourke Street	Prince Street	HW8 Barrier Highway	
36.5m		Brickworks Road	Dapville Street	Cornish Street	
36.5m		Campbell Street	Old Bourke Road	Dunstan Street	
36.5m		Cornish Street	Old Bourke Road	Approx 100m east of Brickworks Road	
36.5m		Dapville Street	Dunstan Street	Brickworks Road	
36.5m		Dunstan Street	HW8 Barrier Highway	Cornish Street	
36.5m		Gibbes Street	Campbell Street	Government Street	
36.5m		Government Road	Old Bourke Road	Approx 100m east of Gibbes Street	
36.5m		Hartmann Street	Campbell Street	Government Street	
36.5m		Hercules Street	MR423 Lachlan Valley Way (Lake Cargelligo Euabalong Road)	MR411 Euabalong Mount Hope Road	
36.5m		Lavina Street	Cornish Street	Approx 350m north of Cornish Street	
36.5m		Lerida Street	Woodiwiss Street	Airport Road	
36.5m		Lewis Street	HW8 Barrier Highway	Blakey Street	
36.5m		Monaghan Street	Becker Street	HW8 Barrier Highway	

<i>Type</i>	<i>Road No.</i>	<i>Road Name</i>	<i>Starting Point</i>	<i>Finishing Point</i>	<i>Conditions</i>
36.5m		Murray Street	HW8 Barrier Highway	Woodiwiss Street	
36.5m		Murray Street	HW8 Barrier Highway	Becker Street	
36.5m		Old Bourke Road	HW8 Barrier Highway	Entire length, approx 650m north of Railway Parade	
36.5m		Prince Street	Murray Street	Bourke Street	
36.5m		Railway Parade South	MR421 Kidman Way	Old Bourke Road	
36.5m		Woodiwiss Street	Blakey Street	Lerida Street	
36.5m		Wrightville Street	Dapville Street	Cornish Street	

Conargo Shire Council (for State roads refer to South West Region)

Access to Regional and Local roads listed below:

<i>Type</i>	<i>Road No.</i>	<i>Road Name</i>	<i>Starting Point</i>	<i>Finishing Point</i>	<i>Conditions</i>
36.5m	296	Barratta Road	HW21 Cobb Highway	Barratta Creek Bridge, 26.4km west of Pretty Pine	
36.5m	552	Jerilderie Deniliquin Road	Conargo Deniliquin Shire boundary, approx 1.5km south of Wandook Road	Conargo Jerilderie Shire boundary, approx 9.6km east of Coree Road	No access January to February or June to October inclusive.
36.5m		Aratula Road South	HW20 Riverina Highway	Conargo Murray Shire boundary, at Tuppal Creek Bridge	No access January to February or June to October inclusive.
36.5m		Carrathool Road	MR552 Conargo Road, Deniliquin	Steam Plains property entrance, approx 2km north from Mabins Well Road	No access January to February or June to October inclusive.
36.5m		Devon Road	MR296 Barratta Road	Approx 4km north of MR296 Barratta Road	No access January to February or June to October inclusive.
36.5m		Hartwood Road	MR552 Conargo Road	Normanswood entrance approx 1.6km north of Mayrung Road	No access January to February or June to October inclusive.
36.5m		Lakers Road	HW20 Riverina Highway	Moonee Swamp Road	
36.5m		Mabins Well Road	Approx 3km east of Carrathool Road Intersection	Conargo Jerilderie Shire boundary, approx 3km west of McLennons Bore Road	No access June to October inclusive.
36.5m		Mabins Well Road	Carrathool Road	Conargo Jerilderie Shire boundary, Approx 1.6kms west of Goolgumbra Road	No access January to February or June to October inclusive.
36.5m		Mayrung Road	Moonee Swamp Road, Conargo	Property 819 Mayrung Road, Lindifferon, approx 1.1km east of Forest Creek Road	

<i>Type</i>	<i>Road No.</i>	<i>Road Name</i>	<i>Starting Point</i>	<i>Finishing Point</i>	<i>Conditions</i>
36.5m		Moonbria Road	Carrathool Road	Euroka property entrance, approx 9km east of Carrathool Road	No access January to February or June to October inclusive.
36.5m		Moonee Swamp Road	Deniliquin Conargo Shire boundary, approx 500m west of Aratula North Road	Lakers Road	
36.5m		Parfreys Road	HW20 Riverina Highway	Burwan property entrance, approx 200m from HW20 Riverina Highway	No access January to February or June to October inclusive.
36.5m		Tuppall Road	Gollops Road	Conargo Berrigan Shire boundary, at Tuppall Creek Bridge	
36.5m		Wandook Road	MR552 Conargo Road	Nesbitts Road	No access January to February or June to October inclusive.
36.5m		Yanco Road	Carrathool Road	Aintree property entrance, approx 12.3km from Carrathool Road	No access January to February or June to October inclusive.

Coonamble Shire Council (for State roads refer to Western Region)

Access to all Regional and Local roads within Coonamble Shire Council area.

Deniliquin Council (for State roads refer to South West Region)

Access to Regional and Local roads listed below:

<i>Type</i>	<i>Road No.</i>	<i>Road Name</i>	<i>Starting Point</i>	<i>Finishing Point</i>	<i>Conditions</i>
36.5m	94	Wakool Road	HW21 Cobb Highway	Yaloke Road (Entrance to Yaloke property 26km west of Deniliquin)	
36.5m	552	Jerilderie Deniliquin Road	HW20 Riverina Highway	Conargo Deniliquin Shire boundary, approx 1.5km south of Wandook Road	
36.5m	7605	Deniliquin Barham Road	HW21 Cobb Highway	Perricoota Road (Intersection MR341 Barham Road)	
36.5m		Abattoir Road	Saleyards Road	MR7605 Deniliquin Barham Road	
36.5m		Fowler Street	MR94 Deniliquin Swan Hill Road (Ochtertyre Street)	Lot 18, Kelly Street	
36.5m		Kelly Street	MR94 Deniliquin Swan Hill Road (Ochtertyre Street)	Lot 18, Kelly Street	
36.5m		Moonee Swamp Road	MR552 Deniliquin Jerilderie Road	Deniliquin Conargo Shire boundary, approx 500m west of Aratula North Road	
36.5m		Napier Street	HW21 Cobb Highway (Ochtertyre Street)	Sloane Street	

<i>Type</i>	<i>Road No.</i>	<i>Road Name</i>	<i>Starting Point</i>	<i>Finishing Point</i>	<i>Conditions</i>
36.5m		Ricemill Road	Saleyards Road	Wirraway Drive/ Cemetery Road	
36.5m		Saleyards Road	HW21 Cobb Highway	Wirraway Drive/ Cemetery Road	
36.5m		Saleyards Road	Ricemill Road	Abattoir Road	
36.5m		Sloane Street	HW21 Cobb Highway (Hardinge Street)	Macauley Street	
36.5m		Stewart Street	MR94 Deniliquin Swan Hill Road (Ochertyre Street)	Sloane Street	
36.5m		Wirraway Drive	Saleyards Road	Denken property, 1500m south of Ricemill Road	

Dubbo City Council (for State roads refer to Western Region)

Access to Regional and Local roads listed below:

<i>Type</i>	<i>Road No.</i>	<i>Road Name</i>	<i>Starting Point</i>	<i>Finishing Point</i>	<i>Conditions</i>
36.5m		Boothenba Road	Yarrandale Road	Dubbo Abattoirs and Saleyards	
36.5m		Collie Road	HW17 Newell Highway	MR572 Narromine Eumungerie Road	Access from Newell Highway to Collie Road only permitted from the south left turn in and right turn out.
36.5m		Fitzroy Street	River Street	Purvis Lane	
36.5m		Gipps Street	HW27 Golden Highway	Southern most exit Driveway from the Shell Fuel Terminal	
36.5m		Jannali Road	HW7 Mitchell Highway	End of road, approx 500m from HW7 Mitchell Highway	
36.5m		Johnson Street	Fitzroy Street	Entire length, approx 150m from Fitzroy Street	.
36.5m		Minore Road	North Minore Road	Minore Silos, approx 250m from North Minore Road	
36.5m		Myall Street	HW17 Newell Highway (Bourke Street)	Western Driveway of Frank Cross Tyres 0.11km west of HW17 Newell Highway	
36.5m		North Minore Road	HW7 Mitchell Highway	Minore Road	
36.5m		Purvis Lane	HW17 Newell Highway	Yarrandale Road	
36.5m		Richard Ryan Place	Purvis Lane	Entire length, approx 450m from Purvis Lane	
36.5m		River Street	HW17 Newell Highway (Bourke Street)	Fitzroy Street	

<i>Type</i>	<i>Road No.</i>	<i>Road Name</i>	<i>Starting Point</i>	<i>Finishing Point</i>	<i>Conditions</i>
36.5m		Thompson Street	HW7 Mitchell Highway	HW17 Newell Highway (Whylandra Street)	
36.5m		Yarrandale Road	Boothenba Road	Moffat Drive	
Forbes Shire Council (for State roads refer to Western Region)					
Access to Regional and Local roads listed below:					
<i>Type</i>	<i>Road No.</i>	<i>Road Name</i>	<i>Starting Point</i>	<i>Finishing Point</i>	<i>Conditions</i>
36.5m	377	Lachlan Valley Way	HW17 Newell Highway, south of Forbes	Gunnings Road, Forbes Lachlan Shire boundary	
36.5m		Abattoirs Road	Newell Highway (HW17)	Entire length, approx 240m from HW17 Newell Highway	
36.5m		Back Yamma Road	Newell Highway (HW17)	Central West Livestock Exchange	No access between sunset and sunrise. No access 7:30-9:00am and 3:30-5:00pm on school days.
Gilgandra Shire Council (for State roads refer to Western Region)					
Access to Regional and Local roads listed below:					
<i>Type</i>	<i>Road No.</i>	<i>Road Name</i>	<i>Starting Point</i>	<i>Finishing Point</i>	<i>Conditions</i>
36.5m	201	East Coonamble Road	HW17 Newell Highway	Nalders Road	No access 7:45-9:00am and 3:30-4:45pm on school days.
36.5m	205	John Renshaw Parkway	HW17 Newell Highway	RR4053 John Renshaw Parkway (Coonabarabran Gummin Road)	No access 7:45-9:00am and 3:30-4:45pm on school days.
36.5m	572	Narromine Eumungerie Road	HW17 Newell Highway	Dubbo Gilgandra Shire boundary	
36.5m	4053	John Renshaw Parkway (Coonabarabran Gummin Road)	MR205 John Renshaw Parkway	Entrance to Warrumbungles National Park, 9.1km from MR205 John Renshaw Parkway	
36.5m		Armatree Road	HW18 Castlereagh Highway	End of Sealed Road 11km from the intersection with the Castlereagh Highway	No access 7:45-9:00am and 3:30-4:45pm on school days.
36.5m		Avondale Road	HW17 Newell Highway	East Coonamble Road	No access 7:45-9:00am and 3:30-4:45pm on school days.
36.5m		Bedford Park Road	National Park Road	5.5km east of National Park Road	No access 7:45-9:00am and 3:30-4:45pm on school days.

<i>Type</i>	<i>Road No.</i>	<i>Road Name</i>	<i>Starting Point</i>	<i>Finishing Point</i>	<i>Conditions</i>
36.5m		Brooks Road	National Park Road	'Kirwee' Gate	No access 7:45-9:00am and 3:30-4:45pm on school days.
36.5m		Bulga Hillside Road	Hillside Road	Curban Biddon Road	No access 7:45-9:00am and 3:30-4:45pm on school days.
36.5m		Bulga Road	Curban Biddon Road	Avondale Road	No access 7:45-9:00am and 3:30-4:45pm on school days.
36.5m		Creenaunes Lane	Bulga Road	4.2km west of Bulga Road	No access 7:45-9:00am and 3:30-4:45pm on school days.
36.5m		Curban Biddon Road	HW17 Newell Highway	East Coonamble Road	No access 7:45-9:00am and 3:30-4:45pm on school days.
36.5m		Federation Street	HW11 Oxley Highway	HW18 Castlereagh Highway	
36.5m		Hargraves Lane	HW11 Oxley Highway	HW17 Newell Highway	
36.5m		Hillside Hall Road	National Park Road	Hillside Road	No access 7:45-9:00am and 3:30-4:45pm on school days.
36.5m		Hillside Road	National Park Road	Bulga Hillside Road	No access 7:45-9:00am and 3:30-4:45pm on school days.
36.5m		Mahers Hill Road	HW17 Newell Highway	End of sealed pavement 2.4km from the intersection with the Newell Highway	No access 7:45-9:00am and 3:30-4:45pm on school days.
36.5m		Mialla Road (Balladoran Road)	HW17 Newell Highway	Balladoran Silos, approx 1.1kms	No access 7:45-9:00am and 3:30-4:45pm on school days.
36.5m		Nalder Access Road	National Park Road	'Judes Park' Gate	No access 7:45-9:00am and 3:30-4:45pm on school days.
36.5m		Nalders Road	East Coonamble Road	'Studholme' Gate	No access 7:45-9:00am and 3:30-4:45pm on school days.
36.5m		National Park Road	East Coonamble Road	Box Ridge Road (Gilgandra Coonamble Shire boundary)	No access 7:45-9:00am and 3:30-4:45pm on school days.
36.5m		Railway Street	HW11 Oxley Highway	Womboin Street	

<i>Type</i>	<i>Road No.</i>	<i>Road Name</i>	<i>Starting Point</i>	<i>Finishing Point</i>	<i>Conditions</i>
36.5m		Tonderburine Tooraweenah Road	National Park Road	MR205 Jack Renshaw Parkway	No access 7:45- 9:00am and 3:30- 4:45pm on school days.
36.5m		Tooraweenah Aerodrome Road	John Renshaw Parkway	Dooroombah Road, 6.4km from John Renshaw Parkway	No access 7:45- 9:00am and 3:30- 4:45pm on school days.
36.5m		Yarrandale Road	HW18 Castlereagh Highway	National Park Road	No access 7:45- 9:00am and 3:30- 4:45pm on school days.

Griffith City Council (for State roads refer to South West Region)

Access to Regional and Local roads listed below:

<i>Type</i>	<i>Road No.</i>	<i>Road Name</i>	<i>Starting Point</i>	<i>Finishing Point</i>	<i>Conditions</i>
36.5m	254	Whitton Stock Route Road	MR254 Whitton Road	MR80 Irrigation Way	
36.5m	254	Yenda Leeton Road	MR84 Burley Griffin Way	MR254 Whitton Road	
36.5m	321	Rankins Springs Road	Carrathool Griffith Shire boundary	Beelbagera Road	
36.5m		Barber Road	Brogden Road (Northern Occurrence)	Twaddell Road	
36.5m		Barber Road	McNamara Road	Brogden Road	Note – check with council for road closures.
36.5m		Barber Road	Twaddell Road	Dossetter Road	Note – check with council for road closures.
36.5m		Beelbangera Road	MR321 Rankins Springs Road	Myall Park Road	
36.5m		Bringagee Road	Carrathool Griffith Shire boundary (approx 3.5kms south of Twaddell Road)	MR7606 Tabbita Lane	
36.5m		Brogden Road	Badoco Road	Brown Road	
36.5m		Brogden Road	Barber Road	Berecry Road	
36.5m		Brogden Road	Bringagee Road	Barber Road	
36.5m		Brown Road	Brogden Road	McNamara Road	
36.5m		Brown Road	Brogden Road	MR80 Kidman Way	
36.5m		Casserley Road	Brogden Road	Approx 1.3km north of Brogden Road (Northern boundary of Lot2 DP1084144)	
36.5m		Clark Road	Gum Creek Road	Lockhart Road	Note – check with council for road closures.
36.5m		Coppard Road	MR321 Kidman Way	Gum Creek Road	

<i>Type</i>	<i>Road No.</i>	<i>Road Name</i>	<i>Starting Point</i>	<i>Finishing Point</i>	<i>Conditions</i>
36.5m		Crawford Road	MR321 Kidman Way	Property entrance 1.3km west of MR321 Kidman Way	
36.5m		Cush Crescent	MR321 Kidman Way	600m east of Kidman Way at Railway Siding	
36.5m		Dalton Road	MR254 Whitton Stock Route Road	Apostle Yard Road	
36.5m		Debortoli Road	MR84 Burley Griffin Way	Low Road	
36.5m		Dossetter Road	Barber Road	Gum Creek Road	Note – check with council for road closures.
36.5m		Drew Road	Gum Creek Road	Barber Road	Note – check with council for road closures.
36.5m		Gum Creek Road	Dossetter Road	Drew Road	Note – check with council for road closures.
36.5m		Hicken Road	Lockhart Road	Dossetter Road	Note – check with council for road closures.
36.5m		Irvin Road	Lockhart Road	Killen Road	Note – check with council for road closures.
36.5m		Jack McWilliam Road	MR321 Kidman Way	Approx 600m from MR321 Kidman Way	
36.5m		Killen Road	Barber Road	Woodside Road	Note – check with council for road closures.
36.5m		Kookora Street	MR80 Griffin Avenue	Willandra Avenue	
36.5m		Lockhart Road	Barber Road	Gum Creek Road	Note – check with council for road closures.
36.5m		McNamara Road	Brown Road	Barber Road	Note – check with council for road closures.
36.5m		Murphy Road	MR321 Kidman Way	200m east of MR321 Kidman Way	
36.5m		Myall Park Road	Beelbanger Road	Railway Parade	
36.5m		North Kooba Settlers Road	MR321 Kidman Way	Murdochs Road	
36.5m		Railway Parade	Myall Park Road	MR84 Burley Griffin Way	

<i>Type</i>	<i>Road No.</i>	<i>Road Name</i>	<i>Starting Point</i>	<i>Finishing Point</i>	<i>Conditions</i>
36.5m		Thorne Road	MR321 Kidman Way	Walla Avenue, Griffith	Access only permitted when: (1) the Kidman Way (MR321) is closed between Thorne Rd and Jondaryan Ave; (2) Willandra Ave is closed between Jondaryan Ave and Kookora St, or (3) Kookora St is closed between Willandra Ave and Walla Ave.
36.5m		Twaddell Road	Barber Road	Bringagee Road	
36.5m		Walla Avenue	Thorne Road	Kookora Street	Access only permitted when: (1) the Kidman Way (MR321) is closed between Thorne Rd and Jondaryan Ave; (2) Willandra Ave is closed between Jondaryan Ave and Kookora St, or (3) Kookora St is closed between Willandra Ave and Walla Ave.
36.5m		Whitton Stock Route Road	MR84 Burley Giffin Way	MR254 Yenda Leeton Road	
36.5m		Wilga Road	Murdochs Road	Mathews Road, Griffith Leeton Shire boundary	
36.5m		Willandra Avenue	MR321 Kidman Way	Kookora Street	
36.5m		Wood Road	MR84 Burley Griffin Way	Casella Wines entrance (600m east of MR84 Burley Griffin Way)	
36.5m		Wood Road	Whitton Stock Route Road	Casella Wines approx 2.6km west of Whitton Stock Route Road	
36.5m		Woodside Road	Brogden Road	Approx 1.2km south of Brogden Road (Southern boundary Lot4 DP1053174)	
36.5m		Woodside Road	Killen Road	Dissegna Road	Note – check with council for road closures.

Hay Shire Council (for State roads refer to South West Region)

Access to Regional and Local roads listed below:

<i>Type</i>	<i>Road No.</i>	<i>Road Name</i>	<i>Starting Point</i>	<i>Finishing Point</i>	<i>Conditions</i>
36.5m	319	Barham Maude Road	Hay Conargo Shire boundary	MR514 Hay Penarie Road	
36.5m	501	Lachlan Valley Way	HW21 Cobb Highway	Regent Street	

<i>Type</i>	<i>Road No.</i>	<i>Road Name</i>	<i>Starting Point</i>	<i>Finishing Point</i>	<i>Conditions</i>
36.5m		Bourke Street	HW6 Mid Western Highway	Murray Street	
36.5m		Brunker Street	HW21 Cobb Highway (Lachlan Street)	Pine Street	.
36.5m		Carrathool Road	HW6 Mid Western Highway	Hay/Carrathool Shire boundary	
36.5m		Dunera Way	HW21 Cobb Highway	Old Thellangerian Road	
36.5m		Hursley Street	Cadell Street (MR514 Oxley Road, Hay Penarie Road)	Old Thellangerian Road	
36.5m		Jackson Street	Soapworks Road	Eastern boundary of 6 Jackson Street	
36.5m		Lindsay Street	Cadell Street (MR514 Oxley Road, Hay Penarie Road)	Northern boundary of Hay Shire Council Works Depot	
36.5m		Macauley Street	Lindsay Street	Old Thellangerian Road	
36.5m		Murray Street	Dunera Way/ Showground Road, Hay	Opposite boundary between Lot 202 DP756755 & Lot 14 DP812034	
36.5m		Murray Street	HW21 Cobb Highway (Lachlan Street)	Pine Street	.
36.5m		Nailor Street	HW14 Sturt Highway (Moama Street)	Russell Street	
36.5m		Old Thellangerian Road	Macauley Street	Sheepyards, 1.5km north of Dunera Way	
36.5m		Pine Street	Brunker Street	Murray Street	.
36.5m		Russell Street	HW21 Cobb Highway (Lachlan Street)	Nailor Street	
36.5m		Sidonia Road	HW21 Cobb Highway	Eastern boundary of RMS property	(1) No access for southbound vehicles from HW21 Cobb Highway. (2) No right turn for vehicles exiting Sidonia Road onto HW21 Cobb Highway.
36.5m		Soapworks Road	MR514 Oxley Road (Hay Penarie Road)	Jackson Street	

Jerilderie Shire Council (for State roads refer to South West Region)

Access to Regional and Local roads listed below:

<i>Type</i>	<i>Road No.</i>	<i>Road Name</i>	<i>Starting Point</i>	<i>Finishing Point</i>	<i>Conditions</i>
36.5m	323	Oaklands Road	HW17 Newell Highway	Cape Road	
36.5m	552	Jerilderie Deniliquin Road	Conargo Jerilderie Shire boundary, approx 9.6km east of Coree Road	HW17 Newell Highway	

<i>Type</i>	<i>Road No.</i>	<i>Road Name</i>	<i>Starting Point</i>	<i>Finishing Point</i>	<i>Conditions</i>
36.5m	564	Berrigan Jerilderie Road	HW17 Newell Highway, Jerilderie	HW20 Riverina Highway, Berrigan	
36.5m	596	Morundah Road	Intersection with MR321 Kidman Way	Intersection with Hunter Road	No access June to October inclusive. No access 7:00-8:30am and 4:00-5:00pm on school days.
36.5m		Arnold Lane	MR564 Berrigan Jerilderie Road	2km west of MR564 Berrigan Jerilderie Road	
36.5m		Boerema Road	Intersection with Hardy Road	Intersection with McDonald Road	No access June to October inclusive. No access 7:00-8:30am and 4:00-5:00pm on school days.
36.5m		Bolton Street	HW17 Newell Highway	Old Showground Road	No access June to October inclusive.
36.5m		Bridge Road	Intersection with McDonald Road	Intersection with Graham Road	No access June to October inclusive. No access 7:00-8:30am and 4:00-5:00pm on school days.
36.5m		Brown Street	HW17 Newell Highway	Nowranie Street	
36.5m		Cadell Road	McLennons Bore Road	MR321 Kidman Way	No access June to October inclusive.
36.5m		Cape Road	MR323 Oaklands Road	Property entrance approx 0.85km from Oaklands Road	
36.5m		Colombo Road	HW17 Newell Highway	Property entrance approx 5km south of Newell Highway	No access June to October inclusive.
36.5m		Crockett Road	Millthorpe Lane	3km west of Millthorpe Lane	No access June to October inclusive.
36.5m		Fairlie Grange Road	Intersection with MR321 Kidman Way	Intersection with Hannabus Road	No access June to October inclusive. No access 7:00-8:30am and 4:00-5:00pm on school days.
36.5m		Field Road	Intersection with Graham Road	Intersection with Gilbert Road	No access June to October inclusive. No access 7:00-8:30am and 4:00-5:00pm on school days.
36.5m		Four Corners Road	Intersection with MR321 Kidman Way	Intersection with Hannabus Road	No access June to October inclusive. No access 7:00-8:30am and 4:00-5:00pm on school days.
36.5m		Gilbert Road	Intersection with MR321 Kidman Way	Intersection with Field Road	No access June to October inclusive. No access 7:00-8:30am and 4:00-5:00pm on school days.

<i>Type</i>	<i>Road No.</i>	<i>Road Name</i>	<i>Starting Point</i>	<i>Finishing Point</i>	<i>Conditions</i>
36.5m		Graham Road	Intersection with MR321 Kidman Way	Intersection with McDonald Road	No access June to October inclusive. No access 7:00-8:30am and 4:00-5:00pm on school days.
36.5m		Green Lane	HW17 Newell Highway	1km east of HW17 Newell Highway	
36.5m		Hannabus Road	Intersection with Four Corners Road	Intersection with Fairlie Grange Road	No access June to October inclusive. No access 7:00-8:30am and 4:00-5:00pm on school days.
36.5m		Hardy Road	Intersection with RR596 Morundah Road	Intersection with Hutchings Road	No access June to October inclusive. No access 7:00-8:30am and 4:00-5:00pm on school days.
36.5m		Hunter Road	Intersection with RR596 Morundah Road	Intersection with Boerema Road	No access June to October inclusive. No access 7:00-8:30am and 4:00-5:00pm on school days.
36.5m		Hutchings Road	Intersection with MR321 Kidman Way	Intersection with McDonald Road	No access June to October inclusive. No access 7:00-8:30am and 4:00-5:00pm on school days.
36.5m		Kennedy Street	HW17 Newell Highway	Mahonga Street	
36.5m		Kennedy Street	Nowranie Street	Saleyards Road	
36.5m		Leahys Lane	HW17 Newell Highway	1km west of HW17 Newell Highway	No access June to October inclusive.
36.5m		Mahonga Street	Brown Street	Kennedy Street	
36.5m		Mahonga Street	Sargood Street	O'neill Street	
36.5m		McDonald Road	Intersection with MR321 Kidman Way	Intersection with Graham Road	No access June to October inclusive. No access 7:00-8:30am and 4:00-5:00pm on school days.
36.5m		McLarty Road	Intersection with Thurrowa Road	Intersection with Leonard Road	No access June to October inclusive. No access 7:00-8:30am and 4:00-5:00pm on school days.
36.5m		McLennons Bore Road	Wilson Road	Cadell Road	No access June to October inclusive.
36.5m		Millthorpe Lane	Wilson Road	Crockett Road	No access June to October inclusive.
36.5m		North Coree Road	Wilson Road	Jerilderie Conargo Shire boundary, approx 13.5km	No access June to October inclusive.
36.5m		Nowranie Street	HW17 Newell Highway	Property entrance approx 50m Past O'neill Street	

<i>Type</i>	<i>Road No.</i>	<i>Road Name</i>	<i>Starting Point</i>	<i>Finishing Point</i>	<i>Conditions</i>
36.5m		O'Neill Street	HW17 Newell Highway	Mahonga Street	No access June to October inclusive.
36.5m		Peet Road	Intersection with Hardy Road	Full length to south 0.97km	No access June to October inclusive. No access 7:00-8:30am and 4:00-5:00pm on school days.
36.5m		Preston Road	Intersection with MR321 Kidman Road	Full length 1.09km	No access June to October inclusive. No access 7:00-8:30am and 4:00-5:00pm on school days.
36.5m		Saleyards Road	HW17 Newell Highway	Kennedy Street	
36.5m		Sargood Street	HW17 Newell Highway	Property entrance approx 50m south of Mahonga Street	
36.5m		South Coree Road	MR552 Conargo Road	1km south of Conargo Road	
36.5m		Thurrowa Road	Intersection with Gilbert Road	Intersection with McLarty Road	No access June to October inclusive. No access 7:00-8:30am and 4:00-5:00pm on school days.
36.5m		Veness Road	Intersection with Graham Road	Full length to south 1.13km	No access June to October inclusive. No access 7:00-8:30am and 4:00-5:00pm on school days.
36.5m		Watson Lane	South Coree Road	1km south of South Coree Road	
36.5m		Willows Road	HW17 Newell Highway	Woodhams Lane	No access June to October inclusive.
36.5m		Wilson Road	Mabins Well Road	Approx 1.5km south of Mabins Well Road	No access June to October inclusive.
36.5m		Wilson Road	Old Showground Road	Millthorpe Lane	No access June to October inclusive.
36.5m		Wood Road	Intersection with McDonald Road	Intersection with Hutchings Road	No access June to October inclusive. No access 7:00-8:30am and 4:00-5:00pm on school days.
36.5m		Wood Street	Mahonga Street	Unnamed Lane approx 50m north of Mahonga Street	
Lachlan Shire Council (for State roads refer to Western Region)					
Access to all Regional and Local roads within Lachlan Shire Council area except for roads within Euabalong town					
<i>Type</i>	<i>Road No.</i>	<i>Road Name</i>	<i>Starting Point</i>	<i>Finishing Point</i>	<i>Conditions</i>
36.5m	371	Rankins Springs Lake Cargelligo Road	Bland Lachlan Shire boundary	MR7513 Condobolin Lake Cargelligo Road	

<i>Type</i>	<i>Road No.</i>	<i>Road Name</i>	<i>Starting Point</i>	<i>Finishing Point</i>	<i>Conditions</i>
36.5m	377	Lachlan Valley Way	Gunnings Road, Forbes Lachlan Shire boundary	MR57 West Wyalong Condobolin Road, Condobolin	
36.5m	7521	Condobolin Euabalong Road	MR461 Condobolin Nymagee Road	Lachlan Cobar Shire boundary	
36.5m		Bobadah Road	Bogan Lachlan Shire boundary	Bogan Lachlan Shire boundary	
36.5m		Lachlan Valley Way	MR411 Euabalong Mount Hope Road	MR57 West Wyalong Condobolin Road	
36.5m		Melrose Collie Road	MR461 Condobolin Nymagee Road	MR57 Tullamore Tottenham Road, Albert	

Leeton Shire Council (for State roads refer to South West Region)

Access to Regional and Local roads listed below:

<i>Type</i>	<i>Road No.</i>	<i>Road Name</i>	<i>Starting Point</i>	<i>Finishing Point</i>	<i>Conditions</i>
36.5m	539	Binyah Street	MR80 Irrigation Way	Brunell Street	No access 7:00- 9:30am and 3:30- 5:00pm on school days.
36.5m	539	Darlington Point/ Whitton Road	12kms from Leeton Shire Council boundary (End of existing boundary)	Intersection of River Road	
36.5m		Brady Way	Canal Street	Calrose Street	
36.5m		Brunell Street	MR539 Binyah Street	Entrance to Whitton Grain Storage Silos	No access 7:00- 9:30am and 3:30- 5:00pm on school days.
36.5m		Calrose Street	Canal Street	Brady Way/Railway Avenue	
36.5m		Canal Street	MR80 Irrigation Way	Market Street	
36.5m		Chaffey Avenue	Intersection of Vance Road	Intersection of Massey Avenue	
36.5m		Market Road	Canal Street	Railway Avenue	
36.5m		Massey Avenue	Intersection of Chaffey Avenue	De Poali Depot, 200m Past Intersection of Wolseley Avenue	
36.5m		McKay Avenue	Intersection of (MR80) Wamoon Avenue	De Poali Transport, 12 McKay Avenue	
36.5m		Murrami Road North	MR80 Irrigation Way	Yarmwal Road, Murrami Grain Storage Silos	No access 7:00- 9:30am and 3:30- 5:00pm on school days.
36.5m		Murrami Road South	MR80 Irrigation Way	Whitton Road	No access 7:00- 9:30am and 3:30- 5:00pm on school days.
36.5m		River Road	Intersection of MR539 Darlington Point/ Whitton Road	Entrance to Cotton Gin	

<i>Type</i>	<i>Road No.</i>	<i>Road Name</i>	<i>Starting Point</i>	<i>Finishing Point</i>	<i>Conditions</i>
36.5m		Vance Road	Intersection of (MR80) Wamoon Avenue	Chaffey Avenue	
36.5m		Whitton Road	Whitton, Murrami Road South	300m east of Murrami Road South to entrance of Gogeldrie Grain Storage Silos	No access 7:00-9:30am and 3:30-5:00pm on school days.
36.5m		Wilga Road	MR80 Irrigation Way	Mathews Road, Griffith Leeton Shire boundary	No access 7:00-9:30am and 3:30-5:00pm on school days.

Moree Plains Shire Council (for State roads refer to Western Region)

Access to all Regional and Local roads within Moree Plains Shire Council area except for:

(1) Regional and Local roads within Moree town

(2) Burrington Road from Newell Highway (HW17) to 500m east of Newell Highway;

unless separately listed below:

<i>Type</i>	<i>Road No.</i>	<i>Road Name</i>	<i>Starting Point</i>	<i>Finishing Point</i>	<i>Conditions</i>
36.5m		Bridge Street	Balo Street	Frome Street	
36.5m		Bullus Drive	HW17 Newell Highway	Old Narrabri Road	
36.5m		Drive In Road	HW12 Gwydir Highway	End of drive in road	
36.5m		Edward Street	HW12 Gwydir Highway (Heber Street)	Jones Avenue	
36.5m		Frome Street	Bridge Street	Balo Street	
36.5m		Industrial Drive	Old Narrabri Road	Cul-de-sac to west	
36.5m		Industrial Drive	Old Narrabri Road	Old Narrabri Road	
36.5m		Ironbark Street	Industrial Drive	Industrial Drive	
36.5m		Jones Avenue	HW17 Newell Highway (Frome Avenue)	Edward Street	
36.5m		Kurrajong Street	Industrial Drive	Industrial Drive	
36.5m		Old Narrabri Road	Bullus Drive	Border of Moree urban area	
36.5m		Tycannah Street	Bullus Drive	HW12 Gwydir Highway	
36.5m		Tycannah Street (South)	Bullus Drive	Cul-de-sac	

Murray Shire Council (for State roads refer to South West Region)

Access to Regional and Local roads listed below:

<i>Type</i>	<i>Road No.</i>	<i>Road Name</i>	<i>Starting Point</i>	<i>Finishing Point</i>	<i>Conditions</i>
36.5m		Aratula Road	Aratula Road, Lower River Road, Millewa Road intersection	Conargo Murray Shire boundary	No access February to October inclusive.
36.5m		Bowlan Street	McCulloch Drive	Entire length, approx 250m from McCulloch Drive	

<i>Type</i>	<i>Road No.</i>	<i>Road Name</i>	<i>Starting Point</i>	<i>Finishing Point</i>	<i>Conditions</i>
36.5m		Bremner Court	Hickey Street	Entire length, approx 200m from Hickey Street	
36.5m		Centre Road	Hillside Road	HW21 Cobb Highway	
36.5m		Conargo Street	Stevens Street	Clifton Street West	
36.5m		Echuca Street	Nicholas Drive	Martin Street	
36.5m		Graham Street	Nicholas Drive	Entire length, approx 250m from Hickey Street	
36.5m		Hickey Street	Nicholas Drive	Graham Street	
36.5m		Hillside Road	Centre Road	Twenty Four Lane	
36.5m		Lawry Street	Neil Street	McCulloch Drive	
36.5m		Leetham Road	Clifton Street West	350m north of Clifton Street West	
36.5m		Livingstone Street	Mitchell Street	Edward Street	
36.5m		Lower River Road	Aratula Road, Lower River Road, Millewa Road intersection	Berrigan Shire Murray Shire boundary	No access February to October inclusive.
36.5m		Marlin Street	Bowlan Street	Entire length, approx 100m from Bowlan Street	
36.5m		Martin Road	HW21 Cobb Highway	650m west of HW21 Cobb Highway, Extent of Business Park	
36.5m		McCulloch Drive	HW21 Cobb Highway	Martin Road	
36.5m		Millewa Road	Lower River Road	Moroco West (Property entrance)	No access February to October inclusive.
36.5m		Mitchell Street	HW21 Cobb Highway	Conargo Street	
36.5m		Murphy Court	Graham Street	Entire length, approx 50m from Graham Street	
36.5m		Neil Street	Martin Road	Entire length	
36.5m		Nicholas Drive	HW21 Cobb Highway	Echuca Street	
36.5m		Yaloke Road	MR94 Wakool Road	Yaloke property entrance	

Murrumbidgee Shire Council (for State roads refer to South West Region)

Access to Regional and Local roads listed below:

<i>Type</i>	<i>Road No.</i>	<i>Road Name</i>	<i>Starting Point</i>	<i>Finishing Point</i>	<i>Conditions</i>
36.5m	539	Whitton Darlington Point Road	MR321 Kidman Way	12kms from Leeton Shire boundary, approx 3.7km south of Young Street, Whitton	
36.5m		Bencubbin Avenue	Jimmy Cull Road	Pine Drive	
36.5m		Boondilla Road	MR321 Kidman Way	Ugobit State Forest boundary, approx 4.5km	No access May to November inclusive. No access between sunset and sunrise.

<i>Type</i>	<i>Road No.</i>	<i>Road Name</i>	<i>Starting Point</i>	<i>Finishing Point</i>	<i>Conditions</i>
36.5m		Bull Road	MR321 Kidman Way	Irrigation Bridge at Steel Road	No access May to November inclusive. No access between sunset and sunrise.
36.5m		Calrose Avenue	Jimmy Cull Road	Bencubbin Avenue	
36.5m		Carrathool Street	HW14 Stuart Highway	Property entrance 1.72km north of HW14 Sturt Highway	
36.5m		Conargo Road	Gum Creek Road	Oolambeyan Road	
36.5m		Ercildoune Road	MR321 Kidman Way	Martin Bell Road	No access May to November inclusive. No access between sunset and sunrise. No access 8:00-9:00am and 3:00-4:00pm on school days.
36.5m		Gum Creek Road	HW14 Sturt Highway	Conargo Road	
36.5m		Harveys Well Road	Ercildoune Road	Ryan Road	No access May to November inclusive. No access between sunset and sunrise. No access 8:00-9:00am and 3:00-4:00pm on school days.
36.5m		Jim Cattanach Road	MR321 Kidman Way	Entire length, approx 9.5km from Kidman Way	No access May to November inclusive. No access between sunset and sunrise.
36.5m		Jimmy Cull Road	MR321 Kidman Way	Property entrance, approx 200m south of Bencubbin Avenue	
36.5m		Macleay Road	Ercildoune Road	Ugobit State Forest boundary, approx 6.5km	No access May to November inclusive. No access between sunset and sunrise. No access 8:00-9:00am and 3:00-4:00pm on school days.
36.5m		Oolambeyan Road	Conargo Road	Gum Creek and Eriwah Properties, approx 16.5km	
36.5m		Pine Drive	MR321 Kidman Way	Bencubbin Avenue	
36.5m		Ryan Road	Harvey's Well Road	Property entrance approx 7km	No access May to November inclusive. No access between sunset and sunrise. No access 8:00-9:00am and 3:00-4:00pm on school days.

<i>Type</i>	<i>Road No.</i>	<i>Road Name</i>	<i>Starting Point</i>	<i>Finishing Point</i>	<i>Conditions</i>
36.5m		Steel Road	Bull Road	Property entrance approx 6km	No access May to November inclusive. No access between sunset and sunrise.

Narrabri Shire Council (for State roads refer to Western Region)

Access to all Regional and Local roads within the Narrabri Shire Council area except for:

- (1) Roads located east of HW17 Newell Highway;
- (2) Regional and Local roads within Narrabri town;
- (3) Regional and Local roads within Wee Waa town
- (4) MR127 Old Pilliga Road from Short Street to Pilliga Road (SR247);
- (5) Narrabri Yarrie Lake Road from Wee Waa Yarrie Lake Road to 'Corglan' facility, approx 6km west of Narrabri;
- (6) Trucking Yards Lane from Wee Waa Silos to Wee Waa to Burren Junction/Kamilaroi Highway (HW29);
- (7) Wee Waa Yarrie Lake Road from Old Pilliga Road to Narrabri Yarrie Lake Road;

unless separately listed below:

<i>Type</i>	<i>Road No.</i>	<i>Road Name</i>	<i>Starting Point</i>	<i>Finishing Point</i>	<i>Conditions</i>
36.5m	127	Narrabri Pilliga Road	Vera Leap Road	MR7616 Pilliga Walgett Road	
36.5m		Baranbar Street	Mooloobar Street	Goobar Street	
36.5m		Belar Street	Temi Street	Pine Street	
36.5m		Goobar Street	Baranbar Street	Yarrie Lake Road	
36.5m		Gurley Street	Temi Street	Wilga Street	
36.5m		Mooloobar Street	HW17 Newell Highway	Baranbar Street	
36.5m		Namoi Street	HW17 Newell Highway	Narrabri Saleyards	
36.5m		Old Newell Highway	HW17 Newell Highway	Railway Corridor (approx. 0.26km east of Newell Highway)	
36.5m		Old Turrawan Road	HW17 Newell Highway	Grain Storage Area, approx 2.2km south of HW17 Newell Highway	No access 8:00-9:30am and 2:30-4:00pm on school days.
36.5m		Saleyards Lane	HW17 Newell Highway	Namoi Street	
36.5m		Warrior Street	Short Street	Boolcarrol Street (HW29 Kamilaroi Highway)	
36.5m		Yarrie Lake Road	Goobar Road	No. 566 Yarrie Lake Road (approx 6.7km west of Narrabri)	

Narrandera Shire Council (for State roads refer to South West Region)

Access to Regional and Local roads listed below:

<i>Type</i>	<i>Road No.</i>	<i>Road Name</i>	<i>Starting Point</i>	<i>Finishing Point</i>	<i>Conditions</i>
36.5m	7608	Narrandera Barellan Road	Colinroobie Willows Road	MR84 Burley Griffin Way	No access March to October inclusive.
36.5m	7608	Narrandera Barellan Road	HW17 Newell Highway	MR84 Burley Griffin Way	

<i>Type</i>	<i>Road No.</i>	<i>Road Name</i>	<i>Starting Point</i>	<i>Finishing Point</i>	<i>Conditions</i>
36.5m		Adams Street	Twynam Street	Elwyn Street	Access only permitted when Newell Highway from Larmer Street to Narrandera-Barellan Road is closed.
36.5m		Audley Street	HW17 Newell Highway	East Street	Access only permitted when Newell Highway from Larmer Street to Narrandera-Barellan Road is closed.
36.5m		Barellan Golf Course Road	Kolkilbertoo Road	Sandy Creek Road	
36.5m		Binya Erigolia Road	Binya Road, Narrandera Carrathool Shire boundary (Southern end)	Narrandera Carrathool Shire boundary, approx 1.7km south of Foy's Road	
36.5m		Bulloak Road	MR7608 Narrandera Barellan Road	Lismoyle Road	
36.5m		Colinroobie Willows Road	MR7608 Narrandera Barellan Road	Kamarah Road	
36.5m		Driscoll Road	MR7608 Narrandera Barellan Road	End of bitumen, approx 1km from MR7608 Narrandera Barellan Road	
36.5m		East Street	Audley Street	Twynam Street	Access only permitted when Newell Highway from Larmer Street to Narrandera-Barellan Road is closed.
36.5m		Elizabeth Street	Victoria Avenue	Whitton Avenue	Access only permitted when Newell Highway from Larmer Street to Narrandera-Barellan Road is closed.
36.5m		Hamel Road	Kolkilbertoo Road	Sandy Creek Road	
36.5m		Hughenden Road	MR84 Burley Griffin Way	Brobenah Hall Road	
36.5m		Kamarah Road	MR7608 Narrandera Barellan Road	Colinroobie Willows Road	
36.5m		Kolkilbertoo Road	Barellan Golf Course Road	Bland Narrandera Shire boundary, approx 1km west of Genista Road	
36.5m		Larmer Street	HW17 Newell Highway	Adams Street	Access only permitted when Newell Highway from Larmer Street to Narrandera-Barellan Road is closed.
36.5m		Lismoyle Road	Bulloak Road	Mejum Swamp Road	

<i>Type</i>	<i>Road No.</i>	<i>Road Name</i>	<i>Starting Point</i>	<i>Finishing Point</i>	<i>Conditions</i>
36.5m		Mejum Swamp Road	Lismoyle Road	Kamarah Road	
36.5m		Moombooldool Sandy Creek Road	MR84 Burley Griffin Way	Narrandera Bland Shire boundary, Johns Road	
36.5m		Moombooldool Willows Road	MR84 Burley Griffin Way	Kamarah Road	
36.5m		O'Sullivan's Road	Sandy Creek Road	Moombooldool Sandy Creek Road	
36.5m		River Street	MR80 Irrigation Way	End of Bitumen, approx 1.5km north of MR80 Irrigation Way	
36.5m		Sandy Creek Road	MR84 Burley Griffin Way	Narrandera Bland Shire boundary, Genista Road	
36.5m		Twynam Street	HW17 Newell Highway	Victoria Avenue	Access only permitted when Newell Highway from Larmer Street to Narrandera-Barellan Road is closed.
36.5m		Victoria Avenue	Twynam Street	Elizabeth Street	Access only permitted when Newell Highway from Larmer Street to Narrandera-Barellan Road is closed.
36.5m		Whitton Avenue	Elizabeth Street	Pine Hill Road	Access only permitted when Newell Highway from Larmer Street to Narrandera-Barellan Road is closed.
36.5m		Yalgogrin Road	Moombooldool Sandy Creek Road	Johns Road	

Narrromine Shire Council (for State roads refer to Western Region)

Access to all Regional and Local roads within Narrromine Shire Council area except for:

- (1) Regional and Local roads located east of HW17 Newell Highway;
- (2) Regional or Local roads within Narrromine town;
- (3) Regional or Local roads within Trangie town
- (4) High Park Road from HW8 Mitchell Highway to River Drive;
- (5) Links Road (Glenroy Street, Belgrove Street) from Mungery Street (Bimble Box Lane) to Willydah Road (Campbell Street);
- (6) River Drive from High Park Road to end;
- (7) Rosebank Road from Narrromine Eumungerie Road to end;
- (8) Villeneuve Drive from Tomingley Narrromine Road to end;
- (9) Wilsons Lane from Tullamore Narrromine Road (The McGrane Way) to Old Backwater Road;
- (10) Wright Road from Backwater Road to Nellie Vale Road;

unless separately listed below:

<i>Type</i>	<i>Road No.</i>	<i>Road Name</i>	<i>Starting Point</i>	<i>Finishing Point</i>	<i>Conditions</i>
36.5m	89	Tomingley Narrromine Road	HW17 Newell Highway	HW7 Mitchell Highway	
36.5m	347	Dandaloo Street	Narrromine Street (HW7 Mitchell Highway)	Mungery Street	

<i>Type</i>	<i>Road No.</i>	<i>Road Name</i>	<i>Starting Point</i>	<i>Finishing Point</i>	<i>Conditions</i>
36.5m	347	Melrose Collie Road	HW7 Mitchell Highway, Trangie	Narromine Warren Shire boundary	
36.5m	347	Melrose Collie Road	Lachlan Narromine Shire boundary	HW7 Mitchell Highway, Trangie	
36.5m	354	McGrane Way (Tullamore Narromine Road)	MR89 Derribong Street	Parkes Narromine Shire boundary	
36.5m	572	Narromine Eumungerie Rail Road	HW7 Mitchell Highway	Dubbo Collie Road	
36.5m	7508	Manildra Street	HW7 Mitchell Highway (Burroway Street)	RR7508 Culling Street	No access over railway crossing south of Mitchell Highway.
36.5m		A'Beckett Street	Minore Street	Terangion Street	
36.5m		Albert Street	Campbell Street	John Street	
36.5m		Backwater Road	Dandaloo Road	Papworth Lane	
36.5m		Berrigal Road	HW17 Newell Highway	Narrabri Moree Plains Shire boundary	
36.5m		Booth Street	Minore Street	Terangion Street	
36.5m		Bulgandramine Road	Bogan River	Parkes Shire Council boundary	
36.5m		Bulgandramine Road	Tomingley West Road	Parkes Narromine Shire boundary	
36.5m		Burroway Road	MR572 Narromine Eumungerie Rail Road	MR347 Melrose Collie Road	
36.5m		Campbell Street	Nicholas Street	Albert Street	
36.5m		Cathundril Street	Alagalah Street	A'Beckett Street	
36.5m		Corry Road	Dandaloo Road	MR347 Melrose Collie Road	
36.5m		Dandaloo Road	Fifth Avenue	Corry Road	
36.5m		Dandaloo Street	Derribong Street	Burroway Street (HW7 Mitchell Highway)	
36.5m		Dandaloo Street	Derribong Street	Nellie Vale Road	
36.5m		Derribong Street	Dandaloo Street	Alagalah Street	
36.5m		Derribong Street	Manildra Street	Alagalah Street	
36.5m		Derribong Street	MR89 Alagalah Street	Manildra Street	.
36.5m		Dubbo Burroway Road	Burroway Road	Narromine Shire Dubbo City Council boundary	
36.5m		Dubbo Collie Road	MR572 Narromine Eumungerie Rail Road	Narromine Gilgandra Shire boundary, at Pineview Road	
36.5m		Enmore Road	HW7 Mitchell Highway	Cathundral Bogan Road	

<i>Type</i>	<i>Road No.</i>	<i>Road Name</i>	<i>Starting Point</i>	<i>Finishing Point</i>	<i>Conditions</i>
36.5m		Fairview Road	MR89 Tomingley to Narromine Road	MR354 McGrane Way	No access over railway crossing near Peak Hill Road.
36.5m		Farrendale Road	MR354 Tullamore Narromine Road	Strathallyn Lane	
36.5m		Gainsborough Road	MR354 Tullamore Narromine Road	MR89 Tomingley Narromine Road	
36.5m		Haberworth Lane	MR89 Tomingley to Narromine Road	Peak Hill Railway Road	No access over railway crossing near Peak Hill Road.
36.5m		Hargreaves Road	Peak Hill Railway Road	Easterly End	No access over railway crossing near Peak Hill Road.
36.5m		Harris Street	John Street	Bimble Box Lane	
36.5m		Herrings Lane	HW7 Mitchell Highway	Willydah Road	No access over railway crossing near Mitchell Highway.
36.5m		Industry Avenue	Sungift Avenue	Macquarie Drive	.
36.5m		Jefferies Road	MR347 Melrose Collie Road	Warren Road	.
36.5m		Macquarie Drive	HW7 Mitchell Highway	Sungift Avenue	.
36.5m		Manildra Street	Minore Street	Derribong Street	No access over railway crossing to Burraway St (Mitchell Hwy).
36.5m		McNamaras Lane	Dandaloo Road	HW7 Mitchell Highway	
36.5m		Minore Street	A'Beckett Street	Murgah Street	.
36.5m		Minore Street	Alagalah Street	A'Beckett Street	.
36.5m		Minore Street	Murgah Street	MR89 Alagalah Street	.
36.5m		Mungery Street	MR347 Dandaloo Street	Bimble Box Lane	
36.5m		Murgah Street	Minore Street	Terangion Street	
36.5m		Narromine Street	HW7 Mitchell Highway	Croudace Street	
36.5m		Nellie Vale Road	MR354 Tullamore Narromine Road	MR89 Tomingley Narromine Road	
36.5m		Peak Hill Railway Road	MR354 Tullamore Narromine Road	Tomingley West Road	
36.5m		Saleyards Road	HW7 Mitchell Highway	HW7 Mitchell Highway	
36.5m		Sungift Avenue	Macquarie Drive	Industry Avenue	
36.5m		Tantitha Road	HW7 Mitchell Highway	Cathundril Street	
36.5m		Terangion Street	A'Beckett Street	Manildra Street	

<i>Type</i>	<i>Road No.</i>	<i>Road Name</i>	<i>Starting Point</i>	<i>Finishing Point</i>	<i>Conditions</i>
36.5m		Terangion Street	MR89 Alagalah Street	Manildra Street	No access in eastbound direction between Alagalah and Manildra Street.
36.5m		Tinks Lane	MR89 Tomingley to Narromine Road	Peak Hill Railway Road	No access over railway crossing near Peak Hill Road.
36.5m		Tomingley West Road	MR89 Tomingley Narromine Road	Bulgandramine Road	
36.5m		Wambianna Road	MR347 Melrose Collie Road	Warren Narromine Shire boundary	.
36.5m		Warren Road	MR572 Narromine Eumungerie Rail Road	MR347 Melrose Collie Road	.
36.5m		Webbs Siding Road	A'Beckett Street	Tantitha Road	
36.5m		Weemabah Street	HW7 Mitchell Highway	2 Weemabah Street	
36.5m		Wyanga Road	MR89 Tomingley to Narromine Road	MR354 McGrane Way	No access over railway crossing near Peak Hill Road.

Parkes Shire Council (for State roads refer to Western Region)

Access to Regional and Local roads listed below:

<i>Type</i>	<i>Road No.</i>	<i>Road Name</i>	<i>Starting Point</i>	<i>Finishing Point</i>	<i>Conditions</i>
36.5m	57	Condobolin Tottenham Road	Parkes Lachlan Shire boundary at Barrens West Road	Approx 180m west of MR354 The McGrane Way, Tullamore Narromine Road	Speed limit 80km/hr.
36.5m	348	Peak Hill Tullamore Road	HW17 Newell Highway	MR57 Condobolin Tullamore Road	.
36.5m	350	Forbes Tullamore Road	MR61 Henry Parkes Way (Parkes Condobolin Road)	Parkes Forbes Shire boundary	Speed limit 80km/hr.
36.5m	350	Forbes Tullamore Road	MR61 Henry Parkes Way (Parkes Condobolin Road)	MR348 Peakhill Tullamore Road	Speed limit 80km/hr.
36.5m	354	McGrane Way (Tullamore Narromine Road)	MR57 Tullamore Nyngan Road	Parkes Narromine Shire boundary	Speed limit 80km/hr.
36.5m		Adavale Lane	Bogan Road	Ascot Lane	Speed limit 80km/hr. No access between sunset and sunrise. No access 7:30-9:00am and 3:00-4:30pm on school days. Note – check with council for road closures.

<i>Type</i>	<i>Road No.</i>	<i>Road Name</i>	<i>Starting Point</i>	<i>Finishing Point</i>	<i>Conditions</i>
36.5m		Alagala Road	MR57 Tullamore Nyngan Road	Terowie Road	Speed limit 80km/hr. No access between sunset and sunrise. No access 7:30-9:00am and 3:00-4:30pm on school days. Note – check with council for road closures.
36.5m		Ascot Lane	Adavale Lane	Bruie Plains Road	Speed limit 80km/hr. No access between sunset and sunrise. No access 7:30-9:00am and 3:00-4:30pm on school days. Note – check with council for road closures.
36.5m		Back Peak Hill Road	MR348 Peak Hill Tullamore Road	Curra Lane	Speed limit 80km/hr. No access between sunset and sunrise. No access 7:30-9:00am and 3:00-4:30pm on school days. Note – check with council for road closures.
36.5m		Back Peak Hill Road	Porters Lane	Belah Park Road	Speed limit 80km/hr. No access between sunset and sunrise. No access 7:30-9:00am and 3:00-4:30pm on school days. Note – check with council for road closures.
36.5m		Back Trundle Road	Moulden Street	JR McDonald Transport Depot (176-180 Back Trundle Road)	
36.5m		Bedgerebong Road	MR61 Henry Parkes Way (Parkes Condobolin Road)	GrainCorp, Bogan Gate Silo, 100m south	
36.5m		Blaxland Street	MR61 Hartigan Avenue	London Road	Speed limit 80km/hr. No access 8:20-8:50am and 3:40-4:10pm on school days. Note – check with council for road closures.
36.5m		Bogan Road	HW17 Newell Highway	MR348 Peak Hill Tullamore Road	Speed limit 80km/hr. No access between sunset and sunrise. No access 7:30-9:00am and 3:00-4:30pm on school days. Note – check with council for road closures.

<i>Type</i>	<i>Road No.</i>	<i>Road Name</i>	<i>Starting Point</i>	<i>Finishing Point</i>	<i>Conditions</i>
36.5m		Bogan Street	Warrah Street	Peak Hill Silos	Speed limit 80km/hr. No access between sunset and sunrise. No access 7:30-9:00am and 3:00-4:30pm on school days. Note – check with council for road closures.
36.5m		Boor Hill Road	MR350 Bogan Gate to Tullamore Road	Numulla Road	Speed limit 80km/hr. No access between sunset and sunrise. No access 7:30-9:00am and 3:00-4:30pm on school days. Note – check with council for road closures.
36.5m		Boor Hill Road	Numulla Road	Timalldrie Lane	Speed limit 80km/hr. No access between sunset and sunrise. No access 7:30-9:00am and 3:00-4:30pm on school days. Note – check with council for road closures.
36.5m		Brolgan Road	MR61 Westlime Road	SCT Depot	
36.5m		Bruie Plains Road	Boor Hill Road	MR348 Tullamore Road	Speed limit 80km/hr. No access between sunset and sunrise. No access 7:30-9:00am and 3:00-4:30pm on school days. Note – check with council for road closures.
36.5m		Bruie Plains Road	Numulla Road	Boor Hill Road	Speed limit 80km/hr. No access between sunset and sunrise. No access 7:30-9:00am and 3:00-4:30pm on school days. Note – check with council for road closures.
36.5m		Bulgandramine Road	MR348 Peak Hill to Tullamore Road	Mingelo Street, Peak Hill	Speed limit 80km/hr. No access between sunset and sunrise. No access 7:30-9:00am and 3:00-4:30pm on school days. Note – check with council for road closures.

<i>Type</i>	<i>Road No.</i>	<i>Road Name</i>	<i>Starting Point</i>	<i>Finishing Point</i>	<i>Conditions</i>
36.5m		Coradgery Road	Mingelo Street	Robertsons Road	Speed limit 80km/hr. No access between sunset and sunrise. No access 7:30-9:00am and 3:00-4:30pm on school days. Note – check with council for road closures.
36.5m		Curra Lane	Back Peak Hill Road	MR354 McGrane Way (Tullamore Narromine Road)	Speed limit 80km/hr. No access between sunset and sunrise. No access 7:30-9:00am and 3:00-4:30pm on school days. Note – check with council for road closures.
36.5m		Day Lane	Hopetoun Lane	Back Trundle Road	Speed limit 80km/hr. No access between sunset and sunrise. No access 7:30-9:00am and 3:00-4:30pm on school days. Note – check with council for road closures.
36.5m		FCL Access Road	MR61 Hartigan Avenue	FCL Depot	
36.5m		Five Chain Lane	Middle Trundle Road	Adavale Lane	Speed limit 80km/hr. No access between sunset and sunrise. No access 7:30-9:00am and 3:00-4:30pm on school days. Note – check with council for road closures.
36.5m		Gobondery Road	MR350 Bogan Gate to Tullamore Road	Gobondery Silo	Speed limit 80km/hr. No access between sunset and sunrise. No access 7:30-9:00am and 3:00-4:30pm on school days. Note – check with council for road closures.
36.5m		Hopetoun Lane	McClintocks Lane	Wyatts Lane	Speed limit 80km/hr. No access between sunset and sunrise. No access 7:30-9:00am and 3:00-4:30pm on school days. Note – check with council for road closures.
36.5m		Leafy Tank Road	MR61 Henry Parkes Way (Parkes Condobolin Road)	Nardoo Lane	Speed limit 80km/hr.

<i>Type</i>	<i>Road No.</i>	<i>Road Name</i>	<i>Starting Point</i>	<i>Finishing Point</i>	<i>Conditions</i>
36.5m		London Road	Blaxland Street	Westlime Depot	Speed limit 80km/hr. No access 8:20-8:50am and 3:40-4:10pm on school days. Note – check with council for road closures.
36.5m		McClintocks Lane	Bogan Road	Hopetoun Lane	Speed limit 80km/hr. No access between sunset and sunrise. No access 7:30-9:00am and 3:00-4:30pm on school days. Note – check with council for road closures.
36.5m		Middle Trundle Road	MR61 Henry Parkes Way (Parkes Condobolin Road)	Five Chain Lane	Speed limit 80km/hr. No access between sunset and sunrise. No access 7:30-9:00am and 3:00-4:30pm on school days. Note – check with council for road closures.
36.5m		Mingelo Street	Coradgery Road	Warrah Street	Speed limit 80km/hr. No access between sunset and sunrise. No access 7:30-9:00am and 3:00-4:30pm on school days. Note – check with council for road closures.
36.5m		Moulden Street	MR61 Henry Parkes Way (Parkes Condobolin Road)	Back Trundle Road	
36.5m		Northparkes Lane	Bogan Road	Northparkes Mine Site	Speed limit 80km/hr.
36.5m		Numulla Road	Back Peak Hill Road	MR354 McGrane Way (Tullamore Narromine Road)	Speed limit 80km/hr. No access between sunset and sunrise. No access 7:30-9:00am and 3:00-4:30pm on school days. Note – check with council for road closures.
36.5m		Numulla Road	Boor Hill Road	Peak Hill Tullamore Road	Speed limit 80km/hr. No access between sunset and sunrise. No access 7:30-9:00am and 3:00-4:30pm on school days. Note – check with council for road closures.

<i>Type</i>	<i>Road No.</i>	<i>Road Name</i>	<i>Starting Point</i>	<i>Finishing Point</i>	<i>Conditions</i>
36.5m		Numulla Road	MR350 Forbes Tullamore Road	Bruie Plains Road	Speed limit 80km/hr. No access between sunset and sunrise. No access 7:30-9:00am and 3:00-4:30pm on school days. Note – check with council for road closures.
36.5m		Numulla Road	Peak Hill Tullamore Road	Back Peak Hill Road	Speed limit 80km/hr. No access between sunset and sunrise. No access 7:30-9:00am and 3:00-4:30pm on school days. Note – check with council for road closures.
36.5m		Porters Lane	Back Peak Hill Road	Back Peak Hill Road	Speed limit 80km/hr. No access between sunset and sunrise. No access 7:30-9:00am and 3:00-4:30pm on school days. Note – check with council for road closures.
36.5m		Robertsons Road	Coradgery Road	Taweni Road	Speed limit 80km/hr. No access between sunset and sunrise. No access 7:30-9:00am and 3:00-4:30pm on school days. Note – check with council for road closures.
36.5m		Taweni Road	Robertsons Road	Bogan Road	Speed limit 80km/hr. No access between sunset and sunrise. No access 7:30-9:00am and 3:00-4:30pm on school days. Note – check with council for road closures.
36.5m		Treweekes Gap Lane	MR61 Henry Parkes Way (Parkes Condobolin Road)	Middle Trundle Road	Speed limit 80km/hr. No access between sunset and sunrise. No access 7:30-9:00am and 3:00-4:30pm on school days. Note – check with council for road closures.

<i>Type</i>	<i>Road No.</i>	<i>Road Name</i>	<i>Starting Point</i>	<i>Finishing Point</i>	<i>Conditions</i>
36.5m		Warrah Street	Mingelo Street	Bogan Street	Speed limit 80km/hr. No access between sunset and sunrise. No access 7:30-9:00am and 3:00-4:30pm on school days. Note – check with council for road closures.
Pilliga West State Forest (for State roads refer to Western Region)					
Access to State Forest roads listed below:					
<i>Type</i>	<i>Road No.</i>	<i>Road Name</i>	<i>Starting Point</i>	<i>Finishing Point</i>	<i>Conditions</i>
36.5m		C Line Road	Margos Road	Margos Road	
36.5m		Langholm Lane	Stumpys Lane	Western Way	
36.5m		Margos Road	C Line Road	Western Way	
36.5m		Margos Road	MR383 Coonamble Pilliga Road	C Line Road	
36.5m		Myall Road	PMG Road	Urawilke Road (State Forest boundary)	
36.5m		Stumpys Lane	Taylor's Road	Langholm Lane	
36.5m		Taylor's Road	Wooleybah Road	Stumpys Lane	
36.5m		Wangan Road	MR383 Coonamble Pilliga Road	Halls Road, Pilliga West State Forest boundary	
36.5m		Western Way	MR329 Gwabegar Road	MR383 Coonamble Pilliga Road	
36.5m		Wooleybah Road	Western Way	PMG Road	
Unincorporated Area (for State roads refer to Western Region)					
Access to all Regional and Local roads within the Unincorporated Area.					
Urana Shire Council (for State roads refer to South West Region)					
Access to Regional and Local roads listed below:					
<i>Type</i>	<i>Road No.</i>	<i>Road Name</i>	<i>Starting Point</i>	<i>Finishing Point</i>	<i>Conditions</i>
36.5m	385	Federation Way	HW17 Newell Highway	Old Buckingbong Forest Road	No access June to October inclusive.
Wakool Shire Council (for State roads refer to South West Region)					
Access to Regional and Local roads listed below:					
<i>Type</i>	<i>Road No.</i>	<i>Road Name</i>	<i>Starting Point</i>	<i>Finishing Point</i>	<i>Conditions</i>
36.5m	296	Balranald Road	Moulamein Township	Kyalite Road	No access 8:00-9:00am and 3:30-4:30pm on school days.
36.5m	296	Kyalite Road	MR694 Balranald/Tooleybuc Road	Balranald Road (MR296)	No access 8:00-9:00am and 3:30-4:30pm on school days.

<i>Type</i>	<i>Road No.</i>	<i>Road Name</i>	<i>Starting Point</i>	<i>Finishing Point</i>	<i>Conditions</i>
36.5m	296	Pretty Pine Road	Border with Conargo Shire	Moulamein Township	No access 8:00-9:00am and 3:30-4:30pm on school days.
36.5m	319	Barham Maude Road	MR341 Barham Road	Truck Stop Situated 5km north of Barham	
36.5m	319	Moulamein Road	Barham (NSW/ Victorian border)	Moulamein Township (MR296 Tallow Street, Moulamein)	No access 8:00-9:00am and 3:30-4:30pm on school days.
36.5m	319	Tallow Road	Moulamein Township	Tchelery Road	No access 8:00-9:00am and 3:30-4:30pm on school days.
36.5m	341	Barham Road	MR319 Barham Maude Road	Perricoota Road (Intersection MR7605 Barham Road)	
36.5m	467	Stoney Crossing Road (Swan Hill Kyalite Road)	Murray Rive Bridge at Swan Hill	MR694 Yanga Way (Tooleybuc Balranald Road)	
36.5m		Baldon Road	Patterson Road	Grain Storage (Baldon Road)	No access 8:00-9:00am and 3:30-4:30pm on school days.
36.5m		Balranald Road	Kyalite Road (MR296)	Impimi Road	No access 8:00-9:00am and 3:30-4:30pm on school days.
36.5m		Cygnnet Lane	Swan Hill Road (MR467)	End of Cygnnet Lane	
36.5m		Noorong Road	Swan Hill Road (MR467)	Moulamein Road (MR319)	Bridge load limit 42.5t gross on GG Bridge. No access 8:00-9:00am and 3:30-4:30pm on school days.
36.5m		Perekerton Road	Balranald Road	Keri Keri Road	No access 8:00-9:00am and 3:30-4:30pm on school days.
36.5m		Tchelery Road	Maude Road (MR319)	Patterson Road	No access 8:00-9:00am and 3:30-4:30pm on school days.

Walgett Shire Council (for State roads refer to Western Region)

Access to all Regional and Local roads within Walgett Shire Council area except for:

- (1) Regional and Local roads within Walgett town;
- (2) Regional and Local roads within Burren Junction town
- (3) Alma Street west of Waterloo Street, Burren Junction;
- (4) Trafalgar Street south of Inkerman Street, Burren Junction;

unless separately listed below:

<i>Type</i>	<i>Road No.</i>	<i>Road Name</i>	<i>Starting Point</i>	<i>Finishing Point</i>	<i>Conditions</i>
36.5m	333	Warren Walgett Road	MR202 Warren Carinda Road	HW18 Castlereagh Highway, Walgett	

<i>Type</i>	<i>Road No.</i>	<i>Road Name</i>	<i>Starting Point</i>	<i>Finishing Point</i>	<i>Conditions</i>
36.5m	333	Warren Walgett Road	MR7516 Carinda Gongolgan Road	MR202 Warren Carinda Road	
36.5m	7616	Pilliga Walgett Road	HW18 Castlereagh Highway	MR383 Coonamble Pilliga, Pilliga	
36.5m		Brewon Road	MR202 Warren Carinda Road	Marthaguy Corner approx 34km north of Carinda	
36.5m		Bulyeroi Millie Road	MR329 Baradine Collarenebri Road	Woodvale Road	
36.5m		Euroka Street	Peel Street	HW18 Castlereagh Highway (Fox Street)	
36.5m		Gilwarney Coonamble Road	MR333 Warren Walgett Road	HW18 Castlereagh Highway	
36.5m		Merrywinebone Moomin Road	MR329 Baradine Collarenebri Road	Moomin Boundary Road	
36.5m		Montkeila Street	Peel Street	HW18 Castlereagh Highway (Fox Street)	
36.5m		Moomin Boundary Road	Woodvale Road	Merrywinebone Moomin Road	
36.5m		Namoi Street	MR7716 Pilliga Walgett Road (Euroka Street)	Warrena Street	
36.5m		Nilma Road	HW18 Castlereagh Highway	MR7616 Pilliga Walgett Road	
36.5m		Peel Street	HW29 Kamilaroi Highway (Wee Waa Street)	Arthur Street	No access 8:00-9:30am and 2:30-4:00pm on school days.
36.5m		Peel Street	HW29 Kamilaroi Highway (Wee Waa Street)	Montkeila Street	No access 8:00-9:30am and 2:30-4:00pm on school days.
36.5m		Pitt Street	MR7716 Pilliga Walgett Road (Euroka Street)	Warrena Street	
36.5m		Rowena Lane	MR329 Baradine Collarenebri Road	Camerons Lane	
36.5m		Warrena Street	HW18 Castlereagh Highway (Fox Street)	End of road, east of Namoi Street	
36.5m		Woodvale Road	Bulyeroi Millie Road	Moomin Boundary Road	

Warren Shire Council (for State roads refer to Western Region)

Access to Regional and Local roads listed below:

<i>Type</i>	<i>Road No.</i>	<i>Road Name</i>	<i>Starting Point</i>	<i>Finishing Point</i>	<i>Conditions</i>
36.5m	202	Marthaguy Road (Warren Carinda Road)	HW11 Oxley Highway	Warren Coonamble Shire boundary	
36.5m	202	Warren Carinda Road	Warren Coonamble Shire boundary	Bogewong Road, Carinda	

<i>Type</i>	<i>Road No.</i>	<i>Road Name</i>	<i>Starting Point</i>	<i>Finishing Point</i>	<i>Conditions</i>
36.5m	333	Warren Walgett Road	HW11 Oxley Highway	MR7516 Carinda Gongolgan Road, Warren/Walgett Shire boundary	
36.5m	347	Melrose Collie Road	Narromine Warren Shire boundary	HW11 Oxley Highway, Collie	
36.5m	424	Marra Road	Bogan Warren Shire boundary	MR333 Warren Walgett Road	
36.5m	7515	Warren Combara Road	MR202 Warren Carinda Road	Warren Coonamble Shire boundary	
36.5m	7516	Billybingbone Road	Brewon Road	Billybone Bridge	
36.5m		Armatree Road	Pine Clump Soldiers Road	Warren Gilgandra Shire boundary	
36.5m		Arthur Butler Drive	HW11 Oxley Highway	Namoi Cotton Storage entrance	
36.5m		Bank Street	Cook Street	Bruce Street	
36.5m		Belah View Road	Bullagreen Road	End of road, approx 8.6km	
36.5m		Bloomfield Avenue	Thomas Sullivan Crescent	Entire length	
36.5m		Booka Road	MR424 Marra Road	RR7516 Billybingbone Road	
36.5m		Bourbah Road	Armtree Road	Christies Lane	
36.5m		Bourbah Road	HW11 Oxley Highway	Warren Gilgandra Shire boundary	
36.5m		Bruce Street	Bank Street	Zora Street	
36.5m		Buckinguy Road	Lemongrove Road	Warren Bogan Shire boundary	
36.5m		Buddabadah Road	HW7 Mitchell Highway	Warren Bogan Shire boundary	
36.5m		Bullagreen Road	MR202 Warren Carinda Road	RR7515 Warren Combara Road	
36.5m		Bundemar Road	HW11 Oxley Highway	Warren Narromine Shire boundary	
36.5m		Canonba Road	MR333 Warren Walgett Road	Warren Bogan Shire boundary	
36.5m		Castlebar Lane	HW11 Oxley Highway	Bundemar Road	
36.5m		Cathundral Bogan Road	HW7 Mitchell Highway	Warren Narromine Shire boundary	
36.5m		Charlerville Road	MR202 Warren Carinda Road	End of road Charlville Gate, approx 1km	
36.5m		Christies Lane	Armatree Road	Warren Coonamble Shire boundary	
36.5m		Colane Road	MR424 Marra Road	Warren Bogan Shire boundary	
36.5m		Colley Place	Railway Parade	Entire length	

<i>Type</i>	<i>Road No.</i>	<i>Road Name</i>	<i>Starting Point</i>	<i>Finishing Point</i>	<i>Conditions</i>
36.5m		Collie Road	MR347 Collie Trangie Road	Warren Gilgandra Shire boundary	
36.5m		Cook Street	Mabel Street	Zora Street	
36.5m		Cremorne Road	Nevertire Bogan Road	End of road at Channel, approx 5.5km	
36.5m		Cullemburrawang Road	MR7515 Warren Combara Road	MR202 Warren Carinda Road	
36.5m		Dicks Camp Cemetery Lane	HW11 Oxley Highway	End of road, Dicks Camp House, approx 2.5km	
36.5m		Drungalear Road	MR202 Warren Carinda Road	End of road Drungalear Gate, approx 13.5km	
36.5m		Duffity Road	Gradgery Lane	End of road Bibberjibbery Gate, approx 7km	
36.5m		Ellengerah Road	Warren Town Limits, approx 250m south of Wilson Street	Warren Narromine Shire boundary	
36.5m		Ellerslie Road	Bullagreen Road	End of road Ellerslie Gate, approx 4.5km	
36.5m		Elsinore Road	HW7 Mitchell Highway	End of road Zanzibar Gate	
36.5m		Emby West Road	Warren Coonamble Shire boundary	End of road Emby West Gate, approx 4.5km from Gulargambone Road	
36.5m		Gibson Way	MR333 Warren Walgett Road	Warren Coonamble Shire boundary	
36.5m		Gillendoon Road	HW11 Oxley Highway	End of road Gillendoon House, approx 4.5km	
36.5m		Gradgery Lane	Kiameron Road	MR202 Warren Carinda Road	
36.5m		Greentree Road	Bourbah Road	End of road Freeths Ramp, approx 4.5km	
36.5m		Gunnegaldra Road	Industrial Access Road	End of road Gunnegaldra Ramp, approx 5.5km	
36.5m		Gunningbar Road	Old Warren Road	End of road Gunningbar West, approx 17km	
36.5m		Hatton Lane	MR202 Warren Carinda Road	End of road Clontarf Gate, approx 8.2km	
36.5m		Heatherbrae Road	Nevertire Bogan Road	End of road Rosedale Ramp, approx 4km	
36.5m		Industrial Access Road	HW11 Oxley Highway, south of Warren	HW11 Oxley Highway, north of Warren	

<i>Type</i>	<i>Road No.</i>	<i>Road Name</i>	<i>Starting Point</i>	<i>Finishing Point</i>	<i>Conditions</i>
36.5m		Inglewood Road	Bourbah Road	Warren Gilgandra Shire boundary	
36.5m		Kiameron Road	MR333 Warren Walgett Road	End of road Kiameron Ramp, approx 10.5kms	
36.5m		Killaloo Lane	MR424 Marra Road	End of Lane, Killaloo Ramp, approx 7kms	
36.5m		Lamphs Road	MR333 Warren Carinda Road	End of Lamphs Road, approx 4.5km	
36.5m		Lauriston Road	MR202 Warren Carinda Road	End of road Lauriston Road, approx 9km	
36.5m		Leeches Creek Road	Yungundi Road	Warren Gilgandra Shire boundary	
36.5m		Lemongrove Road	MR333 Warren Walgett Road	MR424 Marra Road	
36.5m		Mabel Street	Stafford Street	Cook Street	
36.5m		Merrigal Road	Pine Clump Soldiers Road	Warren Gilgandra Shire boundary	
36.5m		Milson Street	HW11 Oxley Highway	Wambianna Road	
36.5m		Mullengudgery Road	HW7 Mitchell Highway	End of Hortons Ramp, approx 8.5km	
36.5m		Nellievale Road	MR333 Warren Walgett Road	End of road Nellievale Gate, approx 6.5km	
36.5m		Nevertire Bogan Road	HW7 Mitchell Highway	Dandaloo Road	
36.5m		Oakley Road	HW11 Oxley Highway	Pleasant View Lane	
36.5m		Old Warren Road	Industrial Access Road	Warren Bogan Shire boundary	
36.5m		Oxley Road	MR333 Warren Walgett Road	Entire length to Oxley Bridge	
36.5m		Pigeonbah Road	RR7515 Warren Combara Road	End of road at Bundilla Mailbox, approx 22km	
36.5m		Pine Clump Soldiers Road	RR7515 Warren Combara Road	Merrigal Road	
36.5m		Pleasant View Lane	Bourbah Road	End of road, Clyde Cottage Gate, approx 17km	
36.5m		Quigley Carroll Road	Cathundral Bogan Road	End of road Muntham Gate, approx 2.8km	
36.5m		Radnedge Road	HW11 Oxley Highway	Entire length, approx 3.6km	
36.5m		Railway Parade	MR333 Warren Carinda Road	Silo Road	
36.5m		Rifle Range Road	HW11 Oxley Highway	Ellengerah Road	

<i>Type</i>	<i>Road No.</i>	<i>Road Name</i>	<i>Starting Point</i>	<i>Finishing Point</i>	<i>Conditions</i>
36.5m		Rothsay Road	MR202 Warren Carinda Road	Nangheri property, approx 4km	
36.5m		Silo Road	Industrial Access Road	Railway Parade	
36.5m		Snakes Lane	Wambianna Road	End of road Ewenmar Gate, approx 700m	
36.5m		Stafford Street	Zora Street	Mabel Street	
36.5m		Sullivans Road	Colane Road	End of road Yamba Gate, approx 5kms	
36.5m		Sunshine Road	Bourbah Road	Warren Gilgandra Shire boundary	
36.5m		Thomas Sullivan Crescent	Railway Parade	Railway Parade	
36.5m		Udora Road	HW11 Oxley Highway	End of road at Ted 'n Thel's, approx 4.8km	
36.5m		Wambianna Road	Milson Street	Warren Narromine Shire boundary	
36.5m		Widgeree Road	Cathundral Bogan Road	Warren Narromine Shire boundary	
36.5m		Wonbobbie Road	RR7515 Warren Combara Road	HW11 Oxley Highway	
36.5m		Yarrandale Road	MR202 Warren Carinda Road	Entire length, approx 8km	
36.5m		Yungundi Road	Collie Road	Warren Gilgandra Shire boundary	
36.5m		Zora Street	HW11 Oxley Highway	Stafford Street	

Warrumbungle Shire Council (for State roads refer to Western Region)

Access to Regional and Local roads listed below:

<i>Type</i>	<i>Road No.</i>	<i>Road Name</i>	<i>Starting Point</i>	<i>Finishing Point</i>	<i>Conditions</i>
36.5m	129	Coonabarabran Baradine Road	Access into "Bypass" Mill	Narren Street & Walker Street, Baradine	No access 7:00-9:00am and 3:00-5:00pm on school days.
36.5m	129	Narren Street	Walker Street	Warrigal Street	No access 7:00-9:00am and 3:00-5:00pm on school days.
36.5m	329	Gwabegar Road	Warrigal Street	Warrumbungle Narrabri Shire boundary	
36.5m		Baradine Goorianawa Road	MR129 Baradine Warrumbungle Road	Bugaldie Goorianawa Road	No access 7:00-9:00am and 3:00-5:00pm on school days.
36.5m		Caledonia Road	Kinross Road	Bugaldie Goorianawa Road	No access 7:00-9:00am and 3:00-5:00pm on school days.

<i>Type</i>	<i>Road No.</i>	<i>Road Name</i>	<i>Starting Point</i>	<i>Finishing Point</i>	<i>Conditions</i>
36.5m		Kinross Road	Munns Road	Caledonia Road	No access 7:00-9:00am and 3:00-5:00pm on school days.
36.5m		Munns Road	Vatua Lane	Bugaldie Goorianawa Road	No access 7:00-9:00am and 3:00-5:00pm on school days.
36.5m		Worrigal Street	Narren Street	Warrumbungle Coonamble Shire boundary	

Wentworth Shire Council (for State roads refer to South West Region)

Access to Regional and Local roads listed below or west of a line joining the intersection of Cobb Highway and Balranald Road in Ivanhoe with the centre of the Darling River Bridge at Wentworth and due south to the NSW/Victorian border.

<i>Type</i>	<i>Road No.</i>	<i>Road Name</i>	<i>Starting Point</i>	<i>Finishing Point</i>	<i>Conditions</i>
36.5m	68	Pooncarie Road	HW22 Silver City Highway	Unincorporated Area Wentworth Shire boundary near Harcourt	
36.5m	68	Renmark Road	South Australian/NSW border, near Renmark	HW22 Silver City Highway	
36.5m	431	Arumpo Road	HW22 Silver City Highway	Wentworth Balranald Shire boundary	
36.5m		Acacia Road	Syndicate Road	Delta Road	
36.5m		Alcheringa Drive	Melaleuca Street	Gol Gol North Road	
36.5m		Allomba Road	Channel Road	Property entrance, approx 700m south of Channel Road	
36.5m		Boggabilla Road	HW22 Silver City Highway	For a distance of approx 300m from HW22 Silver City Highway	
36.5m		Boggabilla Road	Reserve Road West	Nentoura Road	
36.5m		Buronga Hill Road	HW22 Silver City Highway	Entire length	
36.5m		Calder Highway	HW22 Silver City Highway	NSW/Victorian border at Curlwaa	
36.5m		Channel Road	Fletchers Lake Road	Reserve Road East	
36.5m		Chapman Street	HW14 Sturt Highway	Caltex/Primary School 80m north of Highway	
36.5m		Citrus Drive	Hollands Lake Road	End of road at SS Citrus Packing Shed	
36.5m		Comebungee Road	Syphon Road	Cudgee Road	
36.5m		Corbett Avenue	HW22 Silver City Highway	Melaleuca Street	
36.5m		Delta Road	Acacia Road	HW22 Silver City Highway	

<i>Type</i>	<i>Road No.</i>	<i>Road Name</i>	<i>Starting Point</i>	<i>Finishing Point</i>	<i>Conditions</i>
36.5m		Delta Road	Silver City Highway (HW22)	Syndicate Road	
36.5m		Fletchers Lake Road	HW22 Silver City Highway	Wentworth Pooncarie Road	
36.5m		Gol Gol North Road	1km north of Alcheringa Drive	Kingfisher Drive	
36.5m		Gunyah Road	HW22 Silver City Highway	Reserve Road East	
36.5m		Hollands Lake Road	HW22 Silver City Highway	Citrus Drive	
36.5m		Jindalee Road	River Road	Entire length, approx 650m from River Road	
36.5m		Keenans Drive	Reserve Road West	Old Wentworth Road	
36.5m		Link Road	HW22 Silver City Highway	Entire length, approx 900m from HW22 Silver City Highway	
36.5m		Melaleuca Street	HW14 Sturt Highway	Pitman Avenue	
36.5m		Nentoura Road	Billabong Road	Jacaranda Road	
36.5m		Old Euston Road	HW14 Sturt Highway	Wickets Turn-off	
36.5m		Old Wentworth Road	Keenans Drive	HW22 Silver City Highway	
36.5m		Oleander Drive	Reserve Road West	Burtundy Street	
36.5m		Petro Mail Road	MR431 Arumpo Road	Wamberra Road	
36.5m		Pooley Street	HW14 Sturt Highway	Southern boundary of Laneway, 80m north of Sturt Highway	
36.5m		Reserve Road East	Channel Road	Hollands Lake Road	
36.5m		Reserve Road West	Gunyah Road	Channel Road	
36.5m		Reserve Road West	Keenans Drive	Gunyah Road	
36.5m		River Road	HW22 Silver City Highway	Jindalee Road Intersection	
36.5m		Rose Street	HW14 Sturt Highway	60m north of Sturt Highway	
36.5m		Seymour Road	Syphon Road	Hollands Lake Road	
36.5m		Short Street	HW22 Silver City Highway	Lot 7003 DP 1126438 [DP 1126938]	
36.5m		Syndicate Road	Delta Road	Acacia Road	
36.5m		Syphon Road	HW22 Silver City Highway	Reserve Road East	
36.5m		Trawalla Road	Syphon Road	100m from Hollands Lake Road	
36.5m		Wakefield Lane	Silver City Highway (HW22)	End of road Reserve, approx 700m from HW22 Silver City Highway	

PART 2 – APPROVED 53.5 METRE ROAD TRAIN ROUTES

Western Region					
Access to State roads listed below:					
<i>Type</i>	<i>Road No.</i>	<i>Road Name</i>	<i>Starting Point</i>	<i>Finishing Point</i>	<i>Conditions</i>
53.5m	7	Mitchell Highway	Northern end of North Bourke Bridge	NSW/Queensland border at Barrington	Note – no parking of trailers or dollies along roadside except in designated areas.

ROADS ACT 1993

Notice of Dedication of Land as Public Road at Charlestown, Highfields and Adamstown Heights
in the Lake Macquarie City Council area

Roads and Maritime Services, by its delegate, dedicates the land described in the following schedule as public road under section 10 of the Roads Act 1993.

T D Craig
Manager, Compulsory Acquisition & Road Dedication
Roads and Maritime Services

SCHEDULE

ALL those pieces or parcels of land situated in the Lake Macquarie City Council area, Parish of Kahibah and County of Northumberland, shown as:

<u>Description of Land</u>	<u>Title Particulars</u>
That part of the area of 11 ½ perches delineated on plan marked 'A' annexed to Transfer dealing J542477 remaining after the excision of that part of Lot 9 Deposited Plan 237955 within the said area of 11 ½ perches, being part of the land in Memorandum of Transfer dealing J542477 and being also part of Lot 13 Deposited Plan 204773	Certificate of Title Volume 9146 Folio 98
Lot 10 Deposited Plan 237955	Certificate of Title Volume 6514 Folio 7
Lot 11 Deposited Plan 237955	Certificate of Title Volume 6035 Folio 14
Lot 12 Deposited Plan 237955	Certificate of Title Volume 6269 Folio 225
Lot 13 Deposited Plan 237955	Certificate of Title Volume 11240 Folio 199
Lot 14 Deposited Plan 237955	Certificate of Title Volume 6513 Folio 101
Lot 15 Deposited Plan 237955	Certificates of Title: Volume 6362 Folio 192 Volume 6376 Folio 90
Lot 29 Deposited Plan 237955	Certificate of Title Volume 4325 Folio 235
Lot 30 Deposited Plan 237955	Certificate of Title Volume 9257 Folio 214
Lot 33 Deposited Plan 237955	Certificate of Title Volume 4874 Folio 121
Lot 16 Deposited Plan 237955	Certificate of Title Volume 5699 Folio 49
Lot 17 Deposited Plan 237955	Certificate of Title Volume 5833 Folio 32

(Schedule continued over page)

(Schedule continued from previous page)

SCHEDULE

ALL those pieces or parcels of land situated in the Lake Macquarie City Council area, Parish of Kahibah and County of Northumberland, shown as:

<u>Description of Land</u>	<u>Title Particulars</u>
That part of Lot D Deposited Plan 358593, but only to a depth of 50 feet below the surface of the said Lot D, remaining after the excision of Lot 8 Deposited Plan 237955, being part of the land in Notice of Resumption dealing F510240 (registered at Land and Property Information) and being also part of the land resumed by the Commissioner for Main Roads by notification in Government Gazette No 72, dated 4 May 1951, folio 1303	Certificate of Title Volume 5837 Folio 145
Lot 19 Deposited Plan 237955	Certificate of Title Volume 6530 Folio 233
Lot 20 Deposited Plan 237955	Certificate of Title Volume 7948 Folio 203
Lot 13 Deposited Plan 205021	Certificate of Title Volume 9060 Folio 174
The areas of 1 rood 22 ½ perches and 10 ½ perches delineated on Deposited Plan 25153, being part of Lot 24 ^c Deposited Plan 7778 and being also the whole of the land referred to in Memorandum of Transfer dealing G162872 (registered at Land and Property Information)	Certificate of Title Volume 6779 Folio 196
The area of 8 ¼ perches shown on plan marked 'A' annexed to Memorandum of Transfer dealing L624 (registered at Land and Property Information), being part of Lot 1 Deposited Plan 418389	Certificate of Title Volume 8220 Folio 92
Lot 21 Deposited Plan 237955	Certificate of Title Volume 10801 Folio 17
Lot 22 Deposited Plan 237955	Certificate of Title Volume 6308 Folio 51
Lot 23 Deposited Plan 237955	Certificate of Title Volume 10801 Folio 18
Lot 24 Deposited Plan 237955	Certificate of Title Volume 11416 Folio 63
Lot 31 Deposited Plan 237955	Certificate of Title Volume 9289 Folio 90
Lot 18 Deposited Plan 237955	Certificate of Title Volume 5664 Folio 37
Lot 25 Deposited Plan 237955	Certificate of Title Volume 6413 Folio 165

(Schedule continued over page)

(Schedule continued from previous page)

SCHEDULE

ALL those pieces or parcels of land situated in the Lake Macquarie City Council area, Parish of Kahibah and County of Northumberland, shown as:

<u>Description of Land</u>	<u>Title Particulars</u>
Lot 26 Deposited Plan 237955	Certificate of Title Volume 7015 Folio 79
Lot 27 Deposited Plan 237955	Certificate of Title Volume 7015 Folio 156
Lot 28 Deposited Plan 237955	Certificate of Title Volume 7014 Folio 28
Lot 32 Deposited Plan 237955	Certificate of Title Volume 5305 Folio 28
Lot 21 Deposited Plan 527249	Certificate of Title Volume 9524 Folio 198
Lot 22 Deposited Plan 527249	Certificate of Title Volume 9524 Folio 199
Lot 23 Deposited Plan 527249	Certificate of Title Volume 9524 Folio 200
Lot 24 Deposited Plan 527249	Certificate of Title Volume 9524 Folio 200
The area of 1 ½ perches delineated on plan marked 'A' annexed to Memorandum of Transfer dealing H109053 (registered at Land and Property Information), being part of Lot 28 Deposited Plan 11010	Certificate of Title Volume 5596 Folio 2
Lot 1 Deposited Plan 336111	Folio Identifier 1/336111
Lot 2 Deposited Plan 542602	Certificate of Title Volume 6468 Folio 43
Lot 1 Deposited Plan 542602	Certificate of Title Volume 6614 Folio 8
The area of 1 ½ perches delineated on plan marked 'A' annexed to Memorandum of Transfer dealing R997185 (registered at Land and Property Information), but only to a depth of 50 feet below the surface, being part of Lot 173 Deposited Plan 18348	Certificate of Title Volume 5608 Folio 133
Lot 3 Deposited Plan 542602	Certificate of Title Volume 5608 Folio 133
Lot 172 Deposited Plan 18348	Certificate of Title Volume 5420 Folio 14
Lot 171 Deposited Plan 18348	Certificate of Title Volume 5305 Folio 15
Lot 170 Deposited Plan 18348	Certificate of Title Volume 5694 Folio 81

(Schedule continued over page)

(Schedule continued from previous page)

SCHEDULE

ALL those pieces or parcels of land situated in the Lake Macquarie City Council area, Parish of Kahibah and County of Northumberland, shown as:

<u>Description of Land</u>	<u>Title Particulars</u>
The areas of 1 rood 20 $\frac{3}{4}$ perches, 1 acre 3 roods 13 $\frac{1}{2}$ perches and 1 rood 19 $\frac{3}{4}$ perches, delineated on plan marked 'A' annexed to notice of Resumption of Land dealing G267427 (registered at Land and Property Information), being the whole of the land resumed and vested in the Commissioner for Main Roads by notification in Government Gazette No 8 dated 28 January 1955, Folios 183 and 184, being also part of Lot A Deposited Plan 372170	Certificate of Title Volume 6462 Folio 139
That part of Lot B Deposited Plan 372170 remaining after the excision of Lot 1 Deposited Plan 550268, being part of the land in Memorandum of Transfer dealing G862635 (registered at Land and Property Information)	Certificate of Title Volume 6429 Folio 120
The area of 40.71 m ² delineated on plan marked 'A' annexed to Memorandum of Transfer dealing P772824 (registered at Land and Property Information), being part of Lot 1 Deposited Plan 550268	Certificate of Title Volume 11687 Folio 207
The area of 67.6 m ² delineated on plan marked 'A' annexed to Memorandum of Transfer dealing P507366 (registered at Land and Property Information), being part of Lot 34 Deposited Plan 25677	Certificate of Title Volume 7951 Folio 28
The area of 336 m ² delineated on plan marked 'A' annexed to Memorandum of Transfer dealing P206775 (registered at Land and Property Information), being part of Lot 28 Deposited Plan 25677	Certificate of Title Volume 7596 Folio 203

(RMS Papers: 10/252.1230)

ROADS ACT 1993

Notice of Dedication of Land as Public Road at Edmondson Park in the Liverpool City Council area

Roads and Maritime Services, by its delegate, dedicates the land described in the schedule below as public road under section 10 of the Roads Act 1993.

T D Craig
Manager, Compulsory Acquisition & Road Dedication
Roads and Maritime Services

SCHEDULE

ALL those pieces or parcels of land situated in the Liverpool City Council area, Parish of Minto, County of Cumberland, shown as:

Lot 1 Deposited Plan 559109, being part of the land in Certificate of Title Volume 6976 Folio 173; and

Lot 6 Deposited Plan 1063141, being the whole of the land in Folio Identifier 6 / 1063141.

(RMS Papers: SF2012/10145; RO 259.12488)

ROADS ACT 1993

Notice of Dedication of Land as Public Road at Lisarow in the Gosford City Council area

Roads and Maritime Services, by its delegate, dedicates the land described in the schedule below as public road under section 10 of the Roads Act 1993.

T D Craig
Manager, Compulsory Acquisition & Road Dedication
Roads and Maritime Services

SCHEDULE

ALL those pieces or parcels of land situated in the Gosford City Council area, Parish of Gosford and County of Northumberland, shown as:

Lot 11 Deposited Plan 882282;

Lot 15 Deposited Plan 882284;

Lot 17 Deposited Plan 882286; and

Lot 16 Deposited Plan 237537.

(RMS Papers: 10/505.1317)

ROADS ACT 1993**LAND ACQUISITION (JUST TERMS COMPENSATION) ACT 1991**

Notice of Compulsory Acquisition of Land at Bega in the Bega Valley Shire Council area

Roads and Maritime Services by its delegate declares, with the approval of Her Excellency the Governor, that the land described in the schedule below is acquired by compulsory process under the provisions of the Land Acquisition (Just Terms Compensation) Act 1991 for the purposes of the Roads Act 1993.

T D Craig
Manager, Compulsory Acquisition & Road Dedication
Roads and Maritime Services

SCHEDULE

ALL that piece or parcel of public road situated in the Bega Valley Shire Council area, Parish of Bega and County of Auckland, shown as Lot 475 Deposited Plan 1171394.

The land is said to be in the possession of Bega Valley Shire Council.

(RMS Papers: SF2012/12238; RO 1/32.1975)

Department of Trade and Investment, Regional Infrastructure and Services

MINERAL RESOURCES

NOTICE is given that the following applications have been received:

MINING LEASE APPLICATIONS

(T11-0362)

No. 15, Angus Leigh VIVERS, area of about 41.15 hectares, to mine for corundum, sapphire and zircon, dated 13 November 2011. (Inverell Mining Division).

(T11-0122)

No. 401, WESTLIME PTY LIMITED (ACN 090 152 828), area of about 50.47 hectares, to mine for limestone, dated 3 May 2011. (Orange Mining Division).

(T11-0295)

No. 412, CSR BUILDING PRODUCTS LIMITED (ACN 008 631 356), area of about 14.66 hectares, to mine for kaolin and structural clay, dated 15 September 2011. (Orange Mining Division).

CHRIS HARTCHER, M.P.,
Minister for Resources and Energy

NOTICE is given that the following application has been withdrawn:

EXPLORATION LICENCE APPLICATION

(T12-1138)

No. 4591, Lincoln McClATCHIE, County of Montegale, Map Sheet (8530). Withdrawal took effect on 19 July 2012.

CHRIS HARTCHER, M.P.,
Minister for Resources and Energy

NOTICE is given that the following applications for renewal have been received:

(07-3744)

Authorisation No. 230, DIRECTOR GENERAL NSW DEPARTMENT OF TRADE AND INVESTMENT, REGIONAL INFRASTRUCTURE AND SERVICES ON BEHALF OF THE CROWN, area of 347 square kilometres. Application for renewal received 23 July 2012.

(12-3676)

Authorisation No. 404, CENTENNIAL MANDALONG PTY LIMITED (ACN 101 508 892), area of 2143 hectares. Application for renewal received 19 July 2012.

(08-6464)

Exploration Licence No. 4022, ALKANE RESOURCES LTD (ACN 000 689 216), area of 17 units. Application for renewal received 18 July 2012.

(12-3673)

Exploration Licence No. 4968, CENTENNIAL MANDALONG PTY LIMITED (ACN 101 508 892), area of 823 hectares. Application for renewal received 19 July 2012.

(12-3667)

Exploration Licence No. 4969, CENTENNIAL MANDALONG PTY LIMITED (ACN 101 508 892), area of 1026 hectares. Application for renewal received 19 July 2012.

(C02-0153)

Exploration Licence No. 5892, CENTENNIAL MANDALONG PTY LIMITED (ACN 101 508 892), area of 172.5 hectares. Application for renewal received 19 July 2012.

(06-6533)

Exploration Licence No. 6639, CENTENNIAL MANNERING PTY LTD (ACN 101 509 120), area of 1289 hectares. Application for renewal received 19 July 2012.

(07-3701)

Exploration Licence No. 7365, CURLEWIS COAL & COKE PTY LIMITED (ACN 113 968 737), area of 1131 hectares. Application for renewal received 19 July 2012.

(T09-0163)

Exploration Licence No. 7581, MMG AUSTRALIA LIMITED (ACN 004 074 962), area of 18 units. Application for renewal received 20 July 2012.

(T10-0039)

Exploration Licence No. 7582, CENTRAL WEST GOLD NL (ACN 003 078 591), area of 46 units. Application for renewal received 18 July 2012.

CHRIS HARTCHER, M.P.,
Minister for Resources and Energy

REFUSAL OF APPLICATION FOR RENEWAL

NOTICE is given that the application for renewal in respect of the following authority has been refused:

(07-0395)

Exploration Licence No. 7010, BALRANALD GYPSUM PTY LTD (ACN 081 196 947), County of Wakool, Map Sheet (7628), area of 10 units. The authority ceased to have effect on 16 July 2012.

CHRIS HARTCHER, M.P.,
Minister for Resources and Energy

WITHDRAWAL OF APPLICATIONS FOR RENEWAL

NOTICE is given that the applications for renewal in respect of the following authorities have been withdrawn:

(T92-0480)

Mining Claim Converted to Lease No. 232 (Act 1992), Jessie Thomas HACK, Parish of Innes, County of Macquarie, Map Sheet (9334-1-N, 9334-1-N), area of 2 hectares. The authority ceased to have effect on 17 July 2012.

(T92-0481)

Mining Claim Converted to Lease No. 233 (Act 1992), Jessie Thomas HACK, Parish of Innes, County of Macquarie, Map Sheet (9334-1-N), area of 2 hectares. The authority ceased to have effect on 17 July 2012.

CHRIS HARTCHER, M.P.,
Minister for Resources and Energy

TRANSFERS

(T03-0774)

Mining Lease No. 636 (Act 1973), formerly held by SIBELCO AUSTRALIA LIMITED (ACN 000 971 844) has been transferred to Kurt PONGRATZ and Amelia Valencia PONGRATZ. The transfer was registered on 20 July 2012.

(T03-0774)

Mineral Lease No. 5264 (Act 1906), formerly held by SIBELCO AUSTRALIA LIMITED (ACN 000 971 844) has been transferred to Kurt PONGRATZ and Amelia Valencia PONGRATZ. The transfer was registered on 20 July 2012.

(T03-0774)

Mineral Lease No. 5565 (Act 1906), formerly held by SIBELCO AUSTRALIA LIMITED (ACN 000 971 844) has been transferred to Kurt PONGRATZ and Amelia Valencia PONGRATZ. The transfer was registered on 20 July 2012.

(T03-0774)

Mineral Lease No. 5566 (Act 1906), formerly held by SIBELCO AUSTRALIA LIMITED (ACN 000 971 844) has been transferred to Kurt PONGRATZ and Amelia Valencia PONGRATZ. The transfer was registered on 20 July 2012.

(T03-0774)

Mineral Lease No. 5615 (Act 1906), formerly held by SIBELCO AUSTRALIA LIMITED (ACN 000 971 844) has been transferred to Kurt PONGRATZ and Amelia Valencia PONGRATZ. The transfer was registered on 20 July 2012.

(T03-0774)

Mineral Lease No. 6333 (Act 1906), formerly held by SIBELCO AUSTRALIA LIMITED (ACN 000 971 844) has been transferred to Kurt PONGRATZ and Amelia Valencia PONGRATZ. The transfer was registered on 20 July 2012.

(T03-0774)

Mineral Lease No. 6339 (Act 1906), formerly held by SIBELCO AUSTRALIA LIMITED (ACN 000 971 844) has been transferred to Kurt PONGRATZ and Amelia Valencia PONGRATZ. The transfer was registered on 20 July 2012.

(T03-0774)

Mining Purposes Lease No. 114 (Act 1973), formerly held by SIBELCO AUSTRALIA LIMITED (ACN 000 971 844) has been transferred to Kurt PONGRATZ and Amelia Valencia PONGRATZ. The transfer was registered on 20 July 2012.

(T03-0774)

Mining Purposes Lease No. 1313 (Act 1906), formerly held by UNIMIN AUSTRALIA LIMITED (ACN 000 971 844) has been transferred to Kurt PONGRATZ and Amelia Valencia PONGRATZ. The transfer was registered on 20 July 2012.

CHRIS HARTCHER, M.P.,
Minister for Resources and Energy

PRIMARY INDUSTRIES

PLANT DISEASES ACT 1924

Plant Diseases (European House Borer) Order (No. 2)
2012 under the Plant Diseases Act 1924

I, SATENDRA KUMAR, Director, Plant Biosecurity, with the delegated authority of the Minister for Primary Industries in pursuance of section 3A of the Plant Diseases Act 1924 (“the Act”) and in pursuance of section 4 of the Act being of the opinion that the importation, introduction or bringing of EHB host material into New South Wales is likely to introduce the pest European House Borer (*Hylotrupes bajulus*) into New South Wales, make the following Order regulating the importation, introduction or bringing of EHB host material into New South Wales.

1. Name of Order

This Order is the Plant Diseases (European House Borer) Order (No. 2) 2012.

2. Commencement

This Order commences on the date it is published in the *New South Wales Government Gazette*.

3. Interpretation

In this Order:

approved treatment means one or more of the treatments specified in Schedule 2 that apply to the EHB host material concerned.

approved treatment symbol means a symbol approved by the Director Plant Biosecurity for use on EHB host material that has received an approved treatment and that specifies the date of that treatment.

area freedom certificate means a certificate

- (a) approved by the officer responsible for plant biosecurity in the State or Territory; and
- (b) certifying that European House Borer is absent from the State or Territory or that part of the State or Territory.

authorised person means:

- (a) an inspector or a person authorised pursuant to section 11(3) of the Act; or
- (b) a person authorised under a law of another State or Territory that relates to plant biosecurity.

Certification Assurance Arrangement means an arrangement approved by the Department of Primary Industries which enables a business accredited under the arrangement to certify that certain quarantine requirements have been satisfied for the movement of host fruit to interstate and/or intrastate markets.

Note: An example of an approved Certification Assurance Arrangement is the Interstate Certification Assurance (ICA) Scheme.

cross section means the cross section that would be produced if that piece of timber were cut at right angles to its longitudinal axis.

EHB host material means any seasoned pinewood, including:

- (a) all structural pinewood timbers; and

- (b) pinewood products including sawn softwood pinewood timber, pinewood firewood, pinewood pallets and pinewood packaging and dunnage but excluding furniture, artefacts, craft materials and household effects.

European House Borer or EHB means the pest *Hylotrupes bajulus*.

pine heartwood means the inner layer of pinewood which is often a dark-coloured denser wood and which consists generally of between 0-15% sapwood.

pinewood means wood from trees of the genera *Pinus*, *Abies*, *Picea*, *Aracuaria* and *Pseudotsuga*.

Plant Health Assurance Certificate means a certificate issued by a business accredited under a Certification Assurance Arrangement.

Plant Health Certificate means a certificate (known as a Plant Health Certificate) issued by an authorised person.

preservative means a chemical substance the object of which is to protect timber from attack by wood-destroying insects, animals or fungi.

processed pinewood material means pinewood material that has been created using glue, heat or pressure or any combination thereof.

sapwood means the part of living wood where sap flows, as distinct from the heartwood.

seasoned pinewood means pinewood that has a moisture content of 20% or less when tested in accordance with Australian Standard AS 1080.1:1997 Timber: Methods of test –Moisture content.

the Act means the Plant Diseases Act 1924.

Note: Department, covering or package, inspector, occupier and owner all have the same meaning as in the Act.

4. Revocation of Plant Diseases (European House Borer) Order 2012

Pursuant to section 4 and 3(2) of the Act, the Plant Diseases (European House Borer) Order 2012, published in *New South Wales Government Gazette* No. 4 on 13 January 2012, at pages 26 and 27 is revoked, as is any Order revived as a result of this revocation.

5. Regulation of the movement of EHB host material

- (1) Pursuant to section 4(1) of the Act, the importation, introduction or bringing of EHB host material into New South Wales is regulated as specified in this clause.
- (2) EHB host material must not be moved into New South Wales unless:
 - (a) it originates from or was manufactured in a State or Territory, or part of a State or Territory, for which an area freedom certificate is currently in force; or
 - (b) it is pinewood packaging and dunnage made wholly from processed pinewood material or pinewood less than 4 mm in thickness; or

- (c) the movement is as specified in Schedule 1 and complies with the relevant conditions of exception set out in Schedule 1.
- (3) The movement of any of the EHB host material specified in Schedule 1 in accordance with Schedule 1 must be accompanied by:
- (a) a Plant Health Certificate certifying:
- the origin of the EHB host material; and
 - that the EHB host material has been treated or manufactured in the manner specified in Schedule 1; and
- (b) a Plant Health Assurance Certificate issued under a Certification Assurance Arrangement.

SCHEDULE 1 – Exceptions for movement of certain EHB host material

1. Certain EHB host material that has received an approved treatment

Movement of sawn softwood pinewood timber, commercial lots of pinewood firewood, pinewood packaging and dunnage and newly manufactured pinewood pallets that have received an approved treatment (“the *treated pinewood products*”) within 21 days prior to arrival in New South Wales, subject to the following conditions:

- (a) Prior to movement, the owner or occupier of the property or facility where the treated pinewood product is packed or assembled as a consignment must ensure that:
- each treated pinewood product has been permanently marked in a visible location with an approved treatment symbol; or
 - where the property or facility is owned or occupied by a business accredited under a Certification Assurance Arrangement, the owner of occupier of the property or facility must ensure that the treated pinewood product is packed, labelled and certified in accordance with the Certification Assurance Arrangement.

2. Certain untreated EHB host material manufactured from pine heartwood

Movement of pinewood timber packaging and dunnage and newly manufactured pinewood pallets, manufactured entirely from pine heartwood (“the *untreated pinewood products*”), subject to the following conditions:

- (a) Prior to movement, the owner or occupier of the property or facility where the untreated pinewood product is packed or assembled as a consignment must ensure that:
- the outer covering of the untreated pinewood product is legibly marked with a unique identifying reference that enables the source of the consignment to be identified; or
 - where the property or facility is owned or occupied by a business accredited under a Certification Assurance Arrangement, the owner of occupier of the property or facility must ensure that the untreated pinewood product is packed, labelled and certified in accordance with the Certification Assurance Arrangement.

SCHEDULE 2 – Approved treatments

1. Methyl bromide fumigation

Any EHB host material with a cross section less than 20 cm fumigated with methyl bromide:

- at a temperature equal to or higher than 10.0°C; and
- for a minimum of 24 hours; and
- at a minimum concentration during the fumigation period specified in the Table.

Table					
Temperature	Concentration (g/m ³)				
	At start	After 2 hours	After 4 hours	After 12 hours	After 24 hours
21.0°C and above	48	36	31	28	24
16.0 °C - 20.9 °C	56	42	36	32	28
10.0°C - 15.9 °C	64	48	42	36	32

2. Heat treatment

Any EHB host material treated by heat for a minimum of 30 minutes at a minimum core temperature of 56.0°C as measured at the greatest thickness of the item.

3. Preservative treatment

Any EHB host material treated:

- with a preservative specific for European House Borer; and
- to a hazard class H2 or greater in accordance with the appropriate part of the Australian Standard AS 1604 series of standards relating to the preservative treatment of timber products.

Dated this 19th day of July 2012.

SATENDRA KUMAR,

Director,

Plant Biosecurity,

Department of Primary Industries

(an office within the Department of Trade and Investment, Regional Infrastructure and Services

Note: The Department’s reference is O-425.

RURAL ASSISTANCE ACT 1989

Appointment of Members to the
New South Wales Rural Assistance Authority Board

I, KATRINA ANN HODGKINSON, M.P., Minister for Primary Industries, pursuant to section 9 and Schedule 1 of the Rural Assistance Act 1989, hereby appoint the following members to the New South Wales Rural Assistance Authority Board for a period of two years and five months commencing on 1 July 2012:

David William Learmonth PALMER, appointed as Chairperson and Member to represent Farmers, pursuant to section 9 (3) (a) and Schedule 1, Clause 2 (1).

Robert Rolph MacArthur BROWN, appointed as a Member with a background in social welfare, rural counselling, conservation or other area, pursuant to section 9 (3) (c).

Barbara Ann CLARK, appointed as a Member with such qualifications in banking or finance, farm management or an associated area, pursuant to section 9 (3) (b).

Markeeta GIBSON, appointed as a Member to represent Farmers, pursuant to section 9 (3) (a).

David Andrew LOCKE, appointed as a Member with such qualifications in banking or finance, farm management or an associated area, pursuant to section 9 (3) (b).

Wendy Margaret TUCKERMAN, appointed as a Member with a background in social welfare, rural counselling, conservation or other area, pursuant to section 9 (3) (c).

Dated this 18th day of July 2012.

KATRINA ANN HODGKINSON, M.P.,
Minister for Primary Industries

LANDS

DUBBO CROWN LANDS OFFICE
45 Wingewarra Street (PO Box 1840), Dubbo NSW 2830
Phone: (02) 6883 3300 Fax: (02) 6884 2067

APPOINTMENT OF TRUST BOARD MEMBERS

PURSUANT to section 93 of the Crown Lands Act 1989, the persons whose names are specified in Column 1 of the Schedule hereunder, are appointed for the terms of office specified, as members of the trust board for the reserve trust specified opposite thereto in Column 2, which has been established and appointed as trustee of the reserve referred to opposite thereto in Column 3 of the Schedule.

ANDREW STONER, M.P.,
 Minister for Regional Infrastructure and Services

SCHEDULE

<i>Column 1</i>	<i>Column 2</i>	<i>Column 3</i>
Maurice Wayne OLSEN (re-appointment). David J. SMITH (re-appointment). Keith Charles SMITH (re-appointment).	Walgett Pistol Club Reserve Trust.	Reserve No.: 120034. Public Purpose: Non-profit making organisations. Notified: 31 July 1987. File No.: DB87 R 114.

Term of Office

For a term commencing this day and expiring 30 November 2014.

NOTICE OF ADDITIONAL PURPOSE PURSUANT TO SECTION 34A(2)(B) OF THE CROWN LANDS ACT 1989

PURSUANT to section 34A(2)(b) of the Crown Lands Act 1989, the Crown reserve specified in Column 2 of the Schedule is to be occupied for the additional purpose specified in Column 1 of the Schedule.

ANDREW STONER, M.P.,
 Minister for Regional Infrastructure and Services

SCHEDULE

<i>Column 1</i>	<i>Column 2</i>
Accommodation (Relevant Interest – Related to s34a Licence 499156).	Reserve No.: 58747. Public Purpose: Reserve from lease other than improvement lease. Notified: 1 April 1926. File No.: 10/15978.

GOULBURN OFFICE
159 Auburn Street (PO Box 748), Goulburn NSW 2580
Phone: (02) 4824 3700 Fax: (02) 4822 4287

NOTIFICATION OF CLOSING OF A ROAD

IN pursuance of the provisions of the Roads Act 1993, the road hereunder described is closed and the lands comprised therein cease to be public road and the rights of passage and access that previously existed in relation to the road is extinguished. Upon closing, title to the land, comprising the former public road, vests in the body specified in the Schedule hereunder.

ANDREW STONER, M.P.,
 Minister for Regional Infrastructure and Services

Description

*Parish – Woodonga; County – Monteagle;
 Land District – Young; L.G.A. – Young*

Road Closed: Lot 1, DP 1174480.
 File No.: 07/3085.

Schedule

On closing, the land within Lot 1, DP 1174480 remains vested in the State of New South Wales as Crown Land.

Description

*Parish – Boorowa; County – King;
 Land District – Boorowa; L.G.A. – Boorowa*

Road Closed: Lot 1, DP 1174473.
 File No.: 09/17759.

Schedule

On closing, the land within Lot 1, DP 1174473 remains vested in the State of New South Wales as Crown Land.

Description

*Parish – Tubbul; County – Bland;
 Land District – Young; L.G.A. – Young*

Road Closed: Lot 4, DP 1174470.
 File No.: 10/06791.

Schedule

On closing, the land within Lot 4, DP 1174470 remains vested in the State of New South Wales as Crown Land.

Description

*Parish – Tubbul; County – Bland;
 Land District – Young; L.G.A. – Young*

Road Closed: Lots 1-3, DP 1174469.
 File No.: GB07 H 371.

Schedule

On closing, the land within Lots 1-3, DP 1174469 remains vested in the State of New South Wales as Crown Land.

APPOINTMENT OF TRUST BOARD MEMBERS

PURSUANT to section 93 of the Crown Lands Act 1989, the persons whose names are specified in Column 1 of the Schedule hereunder, are appointed for the terms of office specified in that Column, as members of the trust board for the reserve trust specified opposite thereto in Column 2, which has been established and appointed as trustee of the reserve referred to opposite thereto in Column 3 of the Schedule.

ANDREW STONER, M.P.,
 Minister for Regional Infrastructure and Services

SCHEDULE

<i>Column 1</i>	<i>Column 2</i>	<i>Column 3</i>
David Allan KNOX (new member). Andrew Ernest LOUGHHEAD (re-appointment). Albert Henry HOUGHTON (re-appointment). Robert Charles TRENGOVE (re-appointment).	Koorawatha Showground Trust.	Reserve No.: 30102. Public Purpose: Public recreation. Notified: 28 October 1899. File No.: GB80 R 209.

Term of Office

For a term commencing the date of this notice and expiring 30 November 2014.

GRAFTON OFFICE
76 Victoria Street (PO Box 272), Grafton NSW 2460
Phone: (02) 6640 3400 Fax: (02) 6642 5375

ESTABLISHMENT OF RESERVE TRUST

PURSUANT to section 92(1) of the Crown Lands Act 1989, the reserve trust specified in Column 1 of the Schedule hereunder, is established under the name stated in that Column and is appointed as trustee of the reserve specified opposite thereto in Column 2 of the Schedule.

ANDREW STONER, M.P.,
 Minister for Regional Infrastructure and Services

SCHEDULE

<i>Column 1</i>	<i>Column 2</i>
Richmond River Foreshores Reserve Trust.	Reserve No.: 71612. Public Purpose: Public recreation. Notified: 17 August 1945. File No.: GF81 R 46-003.

APPOINTMENT OF CORPORATION TO MANAGE RESERVE TRUST

PURSUANT to section 95 of the Crown Lands Act 1989, the corporation specified in Column 1 of the Schedule hereunder, is appointed to manage the affairs of the reserve trust specified opposite thereto in Column 2, which is trustee of the reserve referred to in Column 3 of the Schedule.

ANDREW STONER, M.P.,
 Minister for Regional Infrastructure and Services

SCHEDULE

<i>Column 1</i>	<i>Column 2</i>	<i>Column 3</i>
Ballina Shire Council.	Richmond River Foreshores Reserve Trust.	Reserve No.: 71612. Public Purpose: Public recreation. Notified: 17 August 1945. File No.: GF81 R 46-003.

For a term commencing the date of this notice.

APPOINTMENT OF TRUST BOARD MEMBERS

PURSUANT to section 93 of the Crown Lands Act 1989, the persons whose names are specified in Column 1 of the Schedules hereunder, are appointed for the terms of office specified, as members of the trust board for the reserve trust specified opposite thereto in Column 2, which has been established and appointed as trustee of the reserve referred to opposite thereto in Column 3 of the Schedules.

ANDREW STONER, M.P.,
 Minister for Regional Infrastructure and Services

SCHEDULE 1

<i>Column 1</i>	<i>Column 2</i>	<i>Column 3</i>
Geoffrey COLWILL (new member). Kathleen MILLS (new member). Carla Rae WILSON (new member). Kenneth Geoffrey RIPPIN (new member).	UKI Public Hall and Recreation Reserve Trust.	Reserve No.: 140022. Public Purpose: Public hall and public recreation. Notified: 31 July 1987. File No.: 11/11405.

Term of Office

For a term commencing the date of this notice and expiring 14 August 2013.

SCHEDULE 2

<i>Column 1</i>	<i>Column 2</i>	<i>Column 3</i>
Allan Harry HINDMARSH (new member). Susan Joy HINDMARSH (re-appointment). Jennifer Elise HELISMA (re-appointment).	Bonville Public Hall Reserve Trust.	Reserve No.: 60600. Public Purpose: Public hall. Notified: 20 July 1928. File No.: GF81 R 323-003.

Term of Office

For a term commencing the date of this notice and expiring 30 November 2014.

NOTIFICATION OF CLOSING OF A ROAD

IN pursuance of the provisions of the Roads Act 1993, the road hereunder described is closed and the lands comprised therein cease to be public road and the rights of passage and access that previously existed in relation to the road is extinguished. Upon closing, title to the land, comprising the former public road, vests in the body specified in the Schedule hereunder.

ANDREW STONER, M.P.,
 Minister for Regional Infrastructure and Services

Description

Parish – Brunswick; County – Rous;
Land District – Murwillumbah; L.G.A. – Byron

Road Closed: Lot 2, DP 1169608.

File No.: 07/3218.

Schedule

On closing, the land within Lot 2, DP 1169608 remains vested in the State of New South Wales as Crown Land.

GRIFFITH OFFICE
2nd Floor, Griffith City Plaza,
120–130 Banna Avenue (PO Box 1030), Griffith NSW 2680
Phone: (02) 6960 3600 Fax: (02) 6962 5670

**REVOCATION OF RESERVATION OF CROWN
LAND**

PURSUANT to section 90 of the Crown Lands Act 1989, the reservation of Crown Land specified in Column 1 of the Schedules hereunder, is revoked to the extent specified opposite thereto in Column 2 of the Schedules.

ANDREW STONER, M.P.,
Minister for Regional Infrastructure and Services

SCHEDULE 1

<i>Column 1</i>	<i>Column 2</i>
Land District: Wyalong.	The whole being Lot 7035,
Local Government Area: Bland Shire Council.	DP No. 1021480, Parish Wyalong, County Gipps, of
Locality: West Wyalong.	an area of 900 square metres.
Reserve No.: 90948.	
Public Purpose: Parking.	
Notified: 11 November 1977.	
File No.: GH93 H 130.	
Note: Lease to Bland Shire Council for 'Community Centre' purposes.	

SCHEDULE 2

<i>Column 1</i>	<i>Column 2</i>
Land District: Wyalong.	The part being Lot 1314, DP
Local Government Area: Bland Shire Council.	No. 753135, Parish Wyalong,
Locality: Parish Wyalong and County Gipps.	County Gipps, of an area of
Reserve No.: 753135.	1593 square metres.
Public Purpose: Future public requirements.	
Notified: 29 June 2007.	
Lot 7043, DP No. 1115128#, Parish Wyalong, County Gipps.	
Lot 7044, DP No. 1115128#, Parish Wyalong, County Gipps.	
Lot 7042, DP No. 1115115#, Parish Wyalong, County Gipps.	
Lot 7315, DP No. 1140284, Parish Wyalong, County Gipps.	
Lot 7316, DP No. 1140283, Parish Wyalong, County Gipps.	
Lot 7307, DP No. 1140285, Parish Wyalong, County Gipps.	
Lot 7308, DP No. 1140286, Parish Wyalong, County Gipps.	
Lot 7317, DP No. 1140281, Parish Wyalong, County Gipps.	
Lot 1375, DP No. 44132, Parish Wyalong, County Gipps.	
Lot 1052, DP No. 753135, Parish Wyalong, County Gipps.	
Lot 1053, DP No. 753135, Parish Wyalong, County Gipps.	
Lot 1, DP No. 722403, Parish Wyalong, County Gipps.	
Lot 1264, DP No. 753135, Parish Wyalong, County Gipps.	

Column 1

Column 2

Lot 1257, DP No. 753135,
Parish Wyalong, County Gipps.

Lot 1243, DP No. 753135,
Parish Wyalong, County Gipps.

Lot 1233, DP No. 753135,
Parish Wyalong, County Gipps.

Lot 7041, DP No. 1116126#,
Parish Wyalong, County Gipps.

Lot 7045, DP No. 1114740#,
Parish Wyalong, County Gipps.

Lot 1370, DP No. 42955,
Parish Wyalong, County Gipps.

Lot 12, DP No. 753135,
Parish Wyalong, County Gipps.

Lot 388, DP No. 753135,
Parish Wyalong, County Gipps.

Lot 795, DP No. 753135,
Parish Wyalong, County Gipps.

Lot 1194, DP No. 753135,
Parish Wyalong, County Gipps.

Lot 1219, DP No. 753135,
Parish Wyalong, County Gipps.

Lot 1287, DP No. 753135,
Parish Wyalong, County Gipps.

Lot 1327, DP No. 753135,
Parish Wyalong, County Gipps.

Lot 7320, DP No. 1150135,
Parish Wyalong, County Gipps.

Lot 1116, DP No. 753135,
Parish Wyalong, County Gipps.

Lot 748, DP No. 753135,
Parish Wyalong, County Gipps.

Lot 1120, DP No. 753135,
Parish Wyalong, County Gipps.

Lot 1075, DP No. 753135,
Parish Wyalong, County Gipps.

Lot 1121, DP No. 753135,
Parish Wyalong, County Gipps.

Lot 1193, DP No. 753135,
Parish Wyalong, County Gipps.

Lot 923, DP No. 753135,
Parish Wyalong, County Gipps.

Lot 1314, DP No. 753135,
Parish Wyalong, County Gipps.

Lot 12, DP No. 905530,
Parish Wyalong, County Gipps.

Lot 679, DP No. 753135,
Parish Wyalong, County Gipps.

Lot 7310, DP No. 1148887,
Parish Wyalong, County Gipps.

Lot 7311, DP No. 1148887,
Parish Wyalong, County Gipps.

Lot 7312, DP No. 1148887,
Parish Wyalong, County Gipps.

File No.: GH93 H 130.

Note: Lease to Bland Shire Council for 'Community Centre' purposes.

Disclaimer: Please note that the above Lot numbers marked # are for Departmental use only.

**APPOINTMENT OF CORPORATION TO MANAGE
RESERVE TRUST**

PURSUANT to section 95 of the Crown Lands Act 1989, the corporation specified in Column 1 of the Schedule hereunder, is appointed to manage the affairs of the reserve trust specified opposite thereto in Column 2, which is trustee of the reserve referred to in Column 3 of the Schedule.

ANDREW STONER, M.P.,
Minister for Regional Infrastructure and Services

SCHEDULE

<i>Column 1</i>	<i>Column 2</i>	<i>Column 3</i>
Leeton Shire Council.	Leeton Shire Council Crown Reserves Reserve Trust.	Reserve No.: 1005048. Lot/DP: Lots 1-2, DP 1157486. Public Purpose: Access. Notified: 12 September 2003. Additional Purpose: Urban services. Notified: 15 July 2011. File No.: 08/7409.

Note: Lots 1-2, DP 1157486 previously Lot 7013, DP 1037797.

NOTIFICATION OF CLOSING OF A ROAD

IN pursuance of the provisions of the Roads Act 1993, the road hereunder described is closed and the lands comprised therein cease to be public road and the rights of passage and access that previously existed in relation to the road is extinguished. Upon closing, title to the land, comprising the former public road, vests in the body specified in the Schedule hereunder.

ANDREW STONER, M.P.,
Minister for Regional Infrastructure and Services

Description

*Parish – Bootoowa; County – Dowling;
Land District – Lake Cargellico; L.G.A. – Lachlan*

Road Closed: Lot 1, DP 1175624.

File No.: 10/14229.

Schedule

On closing, the land within Lot 1, DP 1175624 remains vested in the State of New South Wales as Crown Land.

HAY OFFICE
126 Lachlan Street (PO Box 182), Hay NSW 2711
Phone: (02) 6993 1800 Fax: (02) 6993 1135

ERRATUM

IN the notice appearing in the *New South Wales Government Gazette* of the 27 January 1995, Folio 508, under the heading of "ESTABLISHMENT OF A RESERVE TRUSTS AND APPOINTMENT OF TRUST MANAGERS" – "Reserve No. 34659 at Boomanoomana for Mechanics Institute, notified in the *New South Wales Government Gazette* of 28 July 1902." should not have been included in Schedule 11 Column 1 as Reserve 34659 had been revoked and was freehold land prior to the *New South Wales Government Gazette* notification of 27 January 1995.

ANDREW STONER, M.P.,
 Minister for Regional Infrastructure and Services

APPOINTMENT OF TRUST BOARD MEMBERS

PURSUANT to section 93 of the Crown Lands Act 1989, the persons whose names are specified in Column 1 of the Schedule hereunder, are appointed for the terms of office specified, as members of the trust board for the reserve trust specified opposite thereto in Column 2, which has been established and appointed as trustee of the reserve referred to opposite thereto in Column 3 of the Schedule.

ANDREW STONER, M.P.,
 Minister for Regional Infrastructure and Services

SCHEDULE

<i>Column 1</i>	<i>Column 2</i>	<i>Column 3</i>
Peter George Brettschneider (new member). Pamela Louise FISK (new member).	Hillston Showground Trust.	Dedication No.: 550021. Public Purpose: Racecourse and showground. Notified: 12 April 1940. File No.: HY80 R 96-03.

Term of Office

For a term commencing the date of this notice and expiring 16 September 2014.

ADDITION TO RESERVED CROWN LAND

PURSUANT to section 88 of the Crown Lands Act 1989, the Crown Land specified in Column 1 of the Schedule hereunder, is added to the reserved land specified opposite thereto in Column 2 of the Schedule.

ANDREW STONER, M.P.,
 Minister for Regional Infrastructure and Services

SCHEDULE

<i>Column 1</i>	<i>Column 2</i>
Land District: Hillston. Local Government Area: Carrathool Shire Council. Locality: Hillston. Lot 357, DP No. 755189, Parish Redbank, County Nicholson. Area: 1.297 hectares File No.: HY80 R 41.	Reserve No.: 11547. Public Purpose: Public recreation. Notified: 31 May 1890. Lot 7027, DP No. 1023941, Parish Redbank, County Nicholson. Lot 7028, DP No. 1023941, Parish Redbank, County Nicholson. Lot 7029, DP No. 1023941, Parish Redbank, County Nicholson. Lot 358, DP No. 755189, Parish Redbank, County Nicholson. New Area: 10.987 hectares.

MOREE OFFICE
Frome Street (PO Box 388), Moree NSW 2400
Phone: (02) 6750 6400 Fax: (02) 6752 1707

FORFEITURE OF HOLDING

PURSUANT to Part 6 of the Crown Lands Act 1989, the undermentioned holding and all rights attached to such holding is declared to be forfeited, with effect from the 2 November 2008.

ANDREW STONER, M.P.,
Minister for Regional Infrastructure and Services

Description

*Parish – Yarouah; County – Benarba;
Land District – Moree; L.G.A. – Moree Plains*

FORFEITURE of the subject holding, being Special Lease 1986/1 Moree (PL 171608), Holder: TYNEMAR PTY LTD (PO Box 145, Walgett NSW 2382) and THREE REGIONS OPALS PTY LTD (PO Box 77, Walgett NSW 2382), comprising of the following land:

Lot 11, section 32 in DP 758729 (area 2023 square metres).

File No.: ME86 H 99.

NEWCASTLE OFFICE
437 Hunter Street, Newcastle NSW 2300 (PO Box 2185, Dangar NSW 2309)
Phone: (02) 4925 4104 Fax: (02) 4925 3517

NOTIFICATION OF CLOSING OF A ROAD

IN pursuance of the provisions of the Roads Act 1993, the road hereunder described is closed and the lands comprised therein cease to be public road and the rights of passage and access that previously existed in relation to the road is extinguished. Upon closing, title to the land, comprising the former public road, vests in the body specified in the Schedule hereunder.

ANDREW STONER, M.P.,
 Minister for Regional Infrastructure and Services

Description

*Parish – Umbiella; County – Roxburgh;
 Land District – Rylstone; L.G.A. – Lithgow*

Road Closed: Lot 4, DP 1174619.

File No.: 11/09316.

Schedule

On closing, the land within Lot 4, DP 1174619 remains vested in the State of New South Wales as Crown Land.

Description

*Parish – Allyn; County – Durham;
 Land District – Dungog; L.G.A. – Dungog*

Road Closed: Lot 1, DP 1175017.

File No.: MD05 H 206.

Schedule

On closing, the land within Lot 1, DP 1175017 remains vested in the State of New South Wales as Crown Land.

ROADS ACT 1993**ORDER****Corection of Defective Instrument**

AS per the notification of Closing of a Road which appeared in *New South Wales Government Gazette*, dated 13 July 2012, Folio 3336, part of the description is hereby amended. Under the heading of “description” the words “LGA – Harden” is deleted and replaced with “LGA – Harden and Yass Valley”.

Reference: GB06 H 379:BA.

ROADS ACT 1993**ORDER****Corection of Defective Instrument**

AS per the notification of Closing of a Road which appeared in *New South Wales Government Gazette*, dated 13 July 2012, Folio 3335, part of the description is hereby amended. Under the heading of “description” the words “Road Closed: Lot 1, DP 1175577 (subject to a right of carriageway created by Deposited Plan)” is deleted and replaced with “Road Closed: Lot 1, DP 1175577 (subject to an easement for access created by Deposited Plan)”.

Reference: GB07 H 388:BA.

NOWRA OFFICE
5 O’Keefe Avenue (PO Box 309), Nowra NSW 2541
Phone: (02) 4428 9100 Fax: (02) 4421 2172

ROADS ACT 1993

ORDER

Transfer of a Crown Road to a Council

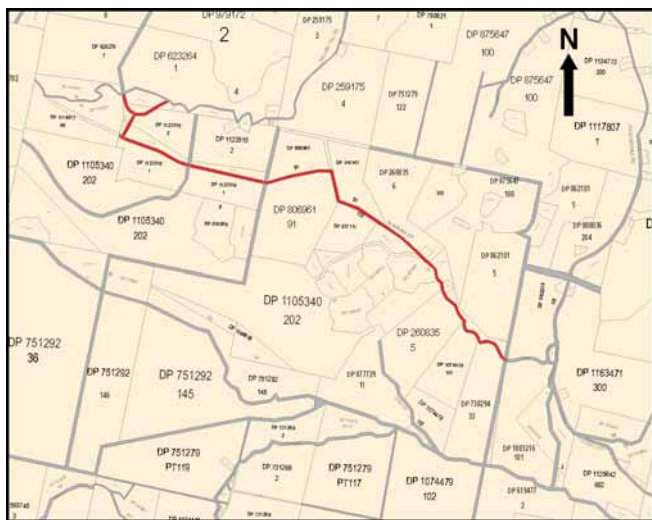
IN pursuance of the provisions of section 151, Roads Act 1993, the Crown road specified in Schedule 1 is transferred to the Roads Authority specified in Schedule 2 hereunder, as from the date of publication of this notice and as from that date the road specified in Schedule 1 cease to be a Crown road.

ANDREW STONER, M.P.,
Minister for Regional Infrastructure and Services

SCHEDULE 1

*Parish – Kiama; County – Camden;
Land District – Kiama; L.G.A. – Kiama Municipal Council*

Crown public road 20.115m wide known as Nuninuna Drive at Jamberoo, as shown by red colour on the diagram hereunder.



SCHEDULE 2

Roads Authority: Kiama Municipal Council.

File No.: 12/04674 – W501652.

Council’s Reference: CP:JFH – PR.08150.

ORANGE OFFICE
92 Kite Street (PO Box 2146), Orange NSW 2800
Phone: (02) 6391 4300 Fax: (02) 6362 3896

APPOINTMENT OF TRUST BOARD MEMBERS

PURSUANT to section 93 of the Crown Lands Act 1989, the persons whose names are specified in Column 1 of the Schedule hereunder, are appointed for the terms of office specified, as members of the trust board for the reserve trust specified opposite thereto in Column 2, which has been established and appointed as trustee of the reserve referred to opposite thereto in Column 3 of the Schedule.

ANDREW STONER, M.P.,
 Minister for Regional Infrastructure and Services

SCHEDULE

<i>Column 1</i>	<i>Column 2</i>	<i>Column 3</i>
Timothy Luke BRAY (new member).	Calarie Recreation Reserve Trust.	Reserve No.: 1033408. Public Purpose: Public recreation. Notified: 4 November 2011. File No.: 11/12955.
Cassie MERRITT (new member).		
Michael John FISHER (new member).		
Angela MARKWORT (new member).		
Alan Jason PRITCHARD (new member).		
William Robert HOLMES (new member).		
Linda MERRITT (new member).		

Term of Office

For a term commencing this day and expiring 30 November 2014.

REMOVAL FROM OFFICE OF A MEMBER OF A TRUST BOARD

PURSUANT to Clause 6(4) of Schedule 3 to the Crown Lands Act 1989, the person whose name is specified in Schedule 1 hereunder, is removed from the office of member of the trust board managing the affairs of the reserve trust specified in Schedule 2, which reserve trust is trustee of the reserve referred to in Schedule 3.

ANDREW STONER, M.P.,
 Minister for Regional Infrastructure and Services

SCHEDULE 1

Robyn Anne RITCHIE.
 David William DOUGLAS.

SCHEDULE 2

Spring Hill Recreation Ground Trust.

SCHEDULE 3

Dedication No.: 590068.
 Public Purpose: Public recreation.
 Notified: 1 July 1887.
 File No.: OE80 R 178.

TAMWORTH OFFICE
25-27 Fitzroy Street (PO Box 535), Tamworth NSW 2340
Phone: (02) 6764 5100 Fax: (02) 6766 3805

ROADS ACT 1993

ORDER

Transfer of Crown Road to Council

IN pursuance of provisions of section 151, Roads Act 1993, the Crown public roads specified in Schedule 1 are transferred to the Roads Authority specified in Schedule 2 hereunder, as from the date of publication of this notice and as from that date, the roads specified in Schedule 1 cease to be Crown public road.

ANDREW STONER, M.P.,
 Minister for Regional Infrastructure and Services

SCHEDULE 1

*Parish – Woolomol; County – Inglis;
 Land District – Tamworth; L.G.A. – Tamworth Regional*

Crown public road shown in red on diagram hereunder.



SCHEDULE 2

Roads Authority: Tamworth Regional Council.

WAGGA WAGGA OFFICE**Corner Johnston and Tarcutta Streets (PO Box 60), Wagga Wagga NSW 2650****Phone: (02) 6937 2700 Fax: (02) 6921 1851****NOTIFICATION OF CLOSING OF A ROAD**

IN pursuance of the provisions of the Roads Act 1993, the road hereunder described is closed and the lands comprised therein cease to be public road and the rights of passage and access that previously existed in relation to the road is extinguished. Upon closing, title to the land, comprising the former public road, vests in the body specified in the Schedule hereunder.

ANDREW STONER, M.P.,
Minister for Regional Infrastructure and Services

Description

*Parish – Wagra; County – Goulburn;
Land District – Albury; L.G.A. – Greater Hume*

Road Closed: Lots 1-3, DP 1172852.

File No.: 11/01434.

Schedule

On closing, the land within Lots 1-3, DP 1172852 at Wymah remains vested in the State of New South Wales as Crown Land.

WESTERN REGION OFFICE
45 Wingewarra Street (PO Box 1840), Dubbo NSW 2830
Phone: (02) 6883 5400 Fax: (02) 6884 2067

WITHDRAWAL OF LANDS FROM WESTERN LANDS LEASES

PURSUANT to section 35Q of the Western Lands Act 1901, the lands described in Column 1 of the Schedule hereunder, are withdrawn from the leases described in Column 2 of the Schedule for the purpose of being dedicated as public roads.

ANDREW STONER, M.P.,
Minister for Regional Infrastructure and Services

SCHEDULE

Descriptions

Counties – Rankin, Yanda, Cowper and Landsborough; Administrative Districts – Bourke and Cobar

<i>Column 1 Land Withdrawn from Lease (Lot/DP)</i>	<i>Column 2 Lease Affected by Withdrawal</i>	<i>Column 3 Title Affected</i>	<i>Column 4 Area Withdrawn from Lease (ha)</i>	<i>Column 5 Lease Area Following Withdrawal (ha)</i>
1/1170341 2/1170341 4/1170341 5/1170341	WLL 4543	2382/764345 7/755569	27.28	6226
6/1170341	WLL 1018	5740/768640	13.85	2104
7/1170341	WLL 1015	5745/768645	23.27	4121
8/1170341	WLL 1014	5757/768657	30.75	4093
9/1170341	WLL 11694	4551/767657	32.26	9322
10/1170341	WLL 11693	4550/767656	23.92	8225
14/1170341	WLL 11691	4548/767654	25.92	5677
15/1170341 16/1170341 18/1170341 19/1170341 20/1170341	WLL 2920	973/762222 15/755597 19/755597	34.95	10698
22/1170341	WLL 2921	974/762223	13.88	9769
25/1170341	WLL 12357	4762/767977	38.65	7547
26/1170341	WLL 12358	4763/767978	39.25	6489
27/1170341	WLL 12359	4764/767979	42.84	10736
28/1170341	WLL 12360	4765/767980	66.04	10761
29/1170341 30/1170341	WLL 5568	6143/765686 3331/765587	30.99	2216
31/1170341 32/1170341	WLL 980	6196/769048 6195/769047	26.37	4069
33/1170341	WLL 1601	6193/769043	16.24	2007
34/1170341	WLL 2256	6205/769057	30.99	4113
35/1170341	WLL 11029	4134/766639	2.690	161.8
36/1170341 39/1170341	WLL 8550	2942/765132	5.758	1239
50/1170341	WLL 3623	5981/763226	19.97	1770
51/1170341	WLL 1782	6366/769258	34.11	4110

<i>Column 1 Land Withdrawn from Lease (Lot/DP)</i>	<i>Column 2 Lease Affected by Withdrawal</i>	<i>Column 3 Title Affected</i>	<i>Column 4 Area Withdrawn from Lease (ha)</i>	<i>Column 5 Lease Area Following Withdrawal (ha)</i>
52/1170341	WLL 1348	6367/769259	19.42	1772
53/1170341	WLL 1606	6263/769117	30.41	4114
54/1170341 56/1170341 57/1170341	WLL 8849	5955/768837 5954/768836	29.33	10793
59/1170341	WLL 775	5957/768839	17.04	4131
61/1170341	WLL 2922	969/762135	25.91	8177
62/1170341	WLL 3570	1393/763060	73.41	16072
70/1170341	WLL 2557	575/761579	22.71	5429
71/1170341	WLL 768	2763/764898	76.48	28025
72/1170341	WLL 2907	1023/762152	56.19	1623
73/1170341	WLL 2821	6928/1032628	28.09	3719
75/1170341	WLL 13586	5168/722929	26.68	436.8
78/1170341	WLL 3604	1559/763236	17.28	758.8

File No.: 11/08332.

DEDICATION OF CROWN LAND AS PUBLIC ROAD

PURSUANT to section 12 of the Roads Act 1993, the Crown Land described hereunder is, from the date of publication of this notice, dedicated as public road. The public road hereby dedicated is declared not to be Crown road within the meaning of the Roads Act 1993.

ANDREW STONER, M.P.,
Minister for Regional Infrastructure and Services

Descriptions

*Counties – Rankin, Yanda, Cowper and Landsborough;
Administrative Districts – Bourke and Cobar*

Lot 1, DP 1170341; Lot 2, DP 1170341; Lot 4, DP 1170341; Lot 5, DP 1170341; Lot 6, DP 1170341; Lot 7, DP 1170341; Lot 8, DP 1170341; Lot 9, DP 1170341; Lot 10, DP 1170341; Lot 14, DP 1170341; Lot 15, DP 1170341; Lot 16, DP 1170341; Lot 18, DP 1170341; Lot 19, DP 1170341; Lot

20, DP 1170341; Lot 22, DP 1170341; Lot 25, DP 1170341; Lot 26, DP 1170341; Lot 27, DP 1170341; Lot 28, DP 1170341; Lot 29, DP 1170341; Lot 30, DP 1170341; Lot 31, DP 1170341; Lot 32, DP 1170341; Lot 33, DP 1170341; Lot 34, DP 1170341; Lot 35, DP 1170341; Lot 36, DP 1170341; Lot 41, DP 1170341; Lot 43, DP 1170341; Lot 45, DP 1170341; Lot 46, DP 1170341; Lot 50, DP 1170341; Lot 51, DP 1170341; Lot 52, DP 1170341; Lot 53, DP 1170341; Lot 54, DP 1170341; Lot 56, DP 1170341; Lot 57, DP 1170341; Lot 58, DP 1170341; Lot 59, DP 1170341; Lot 60, DP 1170341; Lot 61, DP 1170341; Lot 62, DP 1170341; Lot 63, DP 1170341; Lot 64, DP 1170341; Lot 66, DP 1170341; Lot 68, DP 1170341; Lot 69, DP 1170341; Lot 70, DP 1170341; Lot 71, DP 1170341; Lot 72, DP 1170341; Lot 73, DP 1170341; Lot 74, DP 1170341; Lot 75, DP 1170341; Lot 76, DP 1170341; Lot 77, DP 1170341 and Lot 78, DP 1170341.

Note: Affected parts of Crown Reserves 29031, 38249, 63817 and 67508 are hereby revoked.

File No.: 11/08332.

GRANTING OF A WESTERN LANDS LEASE

IT is hereby notified that under the provisions of section 28A of the Western Lands Act 1901, the Western Lands Leases of the lands specified in the following Schedule have been granted to the undermentioned persons.

The leases are subject to the provisions of the Western Lands Act 1901 and the Regulations thereunder.

The land is to be used only for the purpose of Residence.

Initial rent will be \$100.00 per annum and re-assessed thereafter annually on 1st April of each year.

The Conditions and Reservations annexed to such leases are those Conditions published in the *New South Wales Government Gazette* of 20 March 2009, Folios 1416-1418.

All amounts due and payable to the Crown *must* be paid to the Department of Primary Industries, Crown Lands by the due date.

ANDREW STONER, M.P.,
Minister for Regional Infrastructure and Services

SCHEDULE

Administrative District – Walgett North; Shire – Walgett; Parish – Wallangulla/Mebea; County – Finch

WLL No.	Name of Lessee	File No.	Folio Identifier	Area (m ²)	Term of Lease	
					From	To
WLL 16016	Bret WILKINSON	08/3310	8/1057617	2379	13 July 2012	12 July 2032
WLL 16278	William RANDELL	08/11552	84/1073508	2484	13 July 2012	12 July 2032
WLL 15158	Alecia Helen STAHLHUT	12/03724	4/1065215	2532	13 July 2012	12 July 2032

WATER

WATER ACT 1912

AN application for a joint water supply authority under section 20 of Part 2 of the Water Act 1912, being within a proclaimed (declared) local area under section 5(4) of the said Act, has been received as follows:

John Arthur WILLOTT, Dianne Margaret WILLOTT, Michael WILLOTT and Christopher WILLOTT for 1 x 150mm and 1 x 125mm centrifugal pumps on the Macquarie River on Lot 100, DP 871408 (land to be subdivided), Parish of Kelso, County of Roxburgh, for irrigation, domestic and stock purposes (consolidation of existing licences). (Reference: 80SA010643). (GA1829450).

Any inquiries should be directed to (02) 6841 7414.

Written objections, from any local occupier or statutory authority, specifying grounds and how their interests are affected, must be lodged with the NSW Office of Water, PO Box 717, Dubbo NSW 2830, within 28 days of this publication.

RICHARD WHEATLEY,
Licensing Officer

WATER ACT 1912

AN application for a controlled works approval under Part 8, section 5(4) of the Water Act 1912, section 167 for works within a proclaimed (declared) local area as generally described hereunder have been received from:

Tony James THOMPSON, Meredith Jane THOMPSON and MERRYWINEBONE PTY LTD for a levee (access road) on the Darling River, Lot 6928, DP 1032628, Parish of Banga, County of Cowper (new approval). (Reference: 80CW809662). (GA1829452).

Any inquiries should be directed to (02) 6841 7414.

Written objections, from any local occupier or statutory authority, specifying grounds and how their interests are affected, must be lodged with the NSW Office of Water, PO Box 717, Dubbo NSW 2830, within 28 days of this publication.

RICHARD WHEATLEY,
Senior Licensing Officer

WATER ACT 1912

APPLICATIONS for a licence under section 113 of Part 5 of the Water Act 1912, as amended, has been received as follows:

MILLERVIEW CONSTRUCTIONS PTY LIMITED for a bore on Lot 1, DP 1094055, Parish of Nattery, County of Argyle, for water supply for stock, domestic, recreation (landscaping) and industrial (sand and gravel washing) purposes and the irrigation of 20.0 hectares (improved pasture) (requested entitlement of 100.0 megalitres) (new licence). (Reference: 10BL604804) (GA1829451).

WICKLOW PROPERTIES PTY LTD for a bore on Lot 2, DP 808749, Parish of Upper Tarlo, County of Argyle, for water supply for stock and domestic purposes and the irrigation of 50.0 hectares (improved pasture) (replacement licence – replacing 10BL023073 due to new bore and increase in annual entitlement from 26.0 to 100.0 megalitres) (Reference: 10BL604697) (GA1829448).

Any inquiries should be directed to (02) 8838 7531.

Written objections, from any local occupier or statutory authority, specifying grounds and how their interests are affected, must be lodged with the NSW Office of Water, PO Box 3720, Parramatta NSW 2124, within 28 days of this publication.

WAYNE CONNERS,
Licensing Officer

Other Notices

APPRENTICESHIP AND TRAINEESHIP ACT 2001

NOTICE is given that the Commissioner for Vocational Training has made Vocational Training Orders for the recognised trade vocations of:

- Aeroskills – Aircraft Surface Finishing
- Aeroskills – Avionics
- Aeroskills – Mechanical
- Aeroskills – Mechatronics
- Aeroskills – Structures

under section 6 of the Apprenticeship and Traineeship Act 2001.

The Orders specify a number of matters relating to the required training for these vocations, including the term/s of apprenticeships, probationary period/s and qualification/s to be undertaken.

The Orders will take effect from the date of publication in the *New South Wales Government Gazette*.

Copies of the Orders may be inspected at any State Training Services Regional office or on the internet at:

http://www.training.nsw.gov.au/cib_vto/cibs/cib_548.html.

Notice is given that the following recognised trade vocations are now repealed:

- Aircraft Maintenance Engineering (Avionics)
- Aircraft Maintenance Engineering (Mechanical) Advanced
- Aircraft Surface Finishing
- Aircraft Surface Finishing, Higher
- Aircraft Maintenance Engineering (Avionics)
- Aircraft Mechanical (Avionics)
- Aircraft Maintenance Engineering (Mechanical)
- Aircraft Mechanical (Mechanical)
- Aircraft Maintenance Engineering (Structures)

APPRENTICESHIP AND TRAINEESHIP ACT 2001

NOTICE is given that the Commissioner for Vocational Training has made a Vocational Training Order for the recognised traineeship vocation of:

- Aeroskills – Aircraft Surface Finishing

under section 6 of the Apprenticeship and Traineeship Act 2001.

The Order specifies a number of matters relating to the required training for this vocation including the term/s of traineeship, probationary period/s and qualification/s to be undertaken.

The Order will take effect from the date of publication in the *New South Wales Government Gazette*.

A copy of the Order may be inspected at any State Training Services Regional Office of the Department of Education and Training or on the internet at:

https://www.training.nsw.gov.au/cib_vto/cibs/cib_548.html.

Notice is also given that the following recognised traineeship vocation is now repealed:

- Aircraft Surface Finishing

ASSOCIATIONS INCORPORATION ACT 2009

Cancellation of Incorporation Pursuant to Section 76

TAKE notice that the incorporation of the following associations are cancelled by this notice pursuant to section 76 of the Associations Incorporation Act 2009.

- Parramatta Catholic Convents Rugby League Association Incorporated – Y2178615
- Menai Junior Rugby Union Club Incorporated – Inc3428232
- Manly Breakers Cricket Club Incorporated – Inc9874727
- Wingen Campdraft & Rodeo Association Incorporated – Y0361348
- St Ursula's/Fatima Netball Club Incorporated – Inc9875696
- Culgoa Landcare Group Incorporated – Inc9883620
- Treelovers Picnic Incorporated – Inc9888649
- Wollongong Area Kneelo's Association Incorporated – Y1778836
- Wollongong Area Boardriders Association Incorporated – Inc9875921
- Warialda Basketball Association Incorporated – Y2541432
- Warilla Sports Club Fishing Club Incorporated – Inc9142102
- Wellington Picnic Race Club Incorporated – Y0509828
- Zone 5 Bowling Association Incorporated – Y2424926
- Newcastle Suns Football Club Incorporated – Inc9881170
- Sugartowns Community Preschool Incorporated – Y1377320
- J.E.F. Foundation Incorporated – Inc9876463
- Sydney Livingstone Church Incorporated – Inc9875041
- Muslim Medialine Incorporated – Inc9885190
- Liverpool Islamic Centre Incorporated – Inc9892319
- West Epping Panthers Womens Bowling Club Incorporated – Inc9891447
- St Teklehaimanot Senbete Association Incorporated – Inc9896920
- Gracefield Community Church Incorporated – Inc9884890
- Racing 4 MS Incorporated – Inc9886234
- Liverpool United Football Club Incorporated – Inc9883279
- Liverpool Kings Basketball Club Inc – Inc9885825
- The Korean Tenpin Bowling Association of Australian Incorporated – Inc9888207
- Avans Bowling, Sports & Social Club Incorporated – Inc9883541
- Toomelah Aboriginal Health Service Incorporated – Inc9883611

New South Wales Flying Disc Association
Incorporated – Y1686647
Sol Sustenance Incorporated – Inc9886181
Byron Saving Australias Natural Environment
Incorporated – Inc9895578
Wollondilly White Waratahs Rugby Union Club
Incorporated – Inc9875871
Waratah-Mayfield Little Athletics Centre Inc – Y0845515
Congregational Christian Church in Samoa Fairfield
Parish – NSW Australian Incorporated – Y1498745
NSW Bowling Greenkeepers Association Inc –
Y0196821
North Richmond Cricket Club Incorporated – Y2889328
Wilcannia Youth and Community Club Incorporated –
Y1077041
The Muslim Council of NSW Incorporated – Inc9879421
Yass & District Poultry Fanciers Club Incorporated –
Inc9876569

Cancellation is effective as at the date of gazettal.

Dated this 23rd day of July 2012.

ROBYNE LUNNEY,
Delegate of the Commissioner,
NSW Fair Trading,
Department of Finance & Services

ASSOCIATIONS INCORPORATION ACT 2009

Reinstatement of Cancelled Association Pursuant to
Section 84

TAKE notice that the incorporation of APOLLO SPORTS
& CULTURAL CLUB INCORPORATED (Y2904027),
cancelled on 22 February 2008, is reinstated pursuant to
section 84 of the Associations Incorporation Act 2009.

Dated this 23rd day of July 2012.

ROBYNE LUNNEY,
Manager,
Case Management,
Registry of Co-operatives & Associations,
NSW Fair Trading,
Department of Finance & Services

ASSOCIATIONS INCORPORATION ACT 2009

Reinstatement of Cancelled Association Pursuant to
Section 84

TAKE notice that the incorporation of PINPOINT PISTOL
CLUB INCORPORATED (Y2353138), cancelled on 22 May
2009, is reinstated pursuant to section 84 of the Associations
Incorporation Act 2009.

Dated this 23rd day of July 2012.

ROBYNE LUNNEY,
Manager,
Case Management,
Registry of Co-operatives & Associations,
NSW Fair Trading,
Department of Finance & Services

ASSOCIATIONS INCORPORATION ACT 2009

Reinstatement of Cancelled Association Pursuant to
Section 84

TAKE notice that the incorporation of THE PENINSULA
CRICKET CLUB INC (Y0357040), cancelled on 12 August
2011, is reinstated pursuant to section 84 of the Associations
Incorporation Act 2009.

Dated this 23rd day of July 2012.

ROBYNE LUNNEY,
Manager,
Case Management,
Registry of Co-operatives & Associations,
NSW Fair Trading,
Department of Finance & Services

ASSOCIATIONS INCORPORATION ACT 2009

Reinstatement of Cancelled Association Pursuant to
Section 84

TAKE notice that the incorporation of HELENSBURGH
JUNIOR RUGBY LEAGUE FOOTBALL CLUB
INCORPORATED (Y1916513), cancelled on 16 October
2009, is reinstated pursuant to section 84 of the Associations
Incorporation Act 2009.

Dated this 24th day of July 2012.

ROBYNE LUNNEY,
Manager,
Case Management,
Registry of Co-operatives & Associations,
NSW Fair Trading,
Department of Finance & Services

ASSOCIATIONS INCORPORATION ACT 2009

Cancellation of Registration Pursuant to Section 80

TAKE notice that VETS BEYOND BORDERS
INCORPORATED (Inc9882732), became registered under
the Corporations Act 2001, as VETS BEYOND BORDERS
– ACN 152 900 519, a public company limited by guarantee
on 26 August 2011 and accordingly its registration under
the Associations Incorporation Act 2009, is cancelled as of
that date.

Dated: 23 July 2012.

GLENDIA SIMPSON,
NSW Fair Trading

ASSOCIATIONS INCORPORATION ACT 2009

Cancellation of Registration Pursuant to Section 80

TAKE notice that INVERELL DISTRICT FAMILY
SERVICES INCORPORATED (Y1062207), became
registered under the Corporations Act 2001, as INVERELL
DISTRICT FAMILY SERVICES LIMITED – ACN 159
281 713, a public company limited by guarantee on 29 June
2012 and accordingly its registration under the Associations
Incorporation Act 2009, is cancelled as of that date.

Dated: 24 July 2012.

GLENDIA SIMPSON,
NSW Fair Trading

COMPANION ANIMALS ACT 1998**ORDER**

Organisations Approved by the Chief Executive,
Local Government under Clause 16(d) of the
Companion Animals Regulation 2008

PURSUANT to Clause 16(d) of the Companion Animals Regulation 2008, the organisation listed in Schedule 1 is hereby approved, subject to the conditions contained in Schedule 2.

SCHEDULE 1

<i>Name of Organisation</i>	<i>Address of Organisation</i>	<i>Name of Contact Officer for Organisation</i>
Society of Companion Animal Rescuers Inc (SoCares).	152 Rawson Street, Aberdare NSW 2325.	Mr David ATWELL.

SCHEDULE 2

1. The exemption under Clause 16(d) of the Companion Animals Regulation 2008, from the requirements of section 9 of the Companion Animals Act 1998, only applies to an animal in the custody of an organisation listed in Schedule 1 if the organisation is holding that animal for the sole purpose of re-housing the animal with a new owner.
2. The exemption under Clause 16(d) of the Companion Animals Regulation 2008, from the requirements of section 9 of the Companion Animals Act 1998, only applies to an animal in the custody of an organisation listed in Schedule 1 if the organisation maintains appropriate records that show compliance with the Companion Animals Act 1998, Companion Animals Regulation 2008 and the Guidelines for Approval to be an Organisation Exempt from Companion Animal Registration under Clause 16(d) of the Companion Animals Regulation 2008.
3. The exemption under Clause 16(d) of the Companion Animals Regulation 2008, from the requirements of section 9 of the Companion Animals Act 1998, only applies to an animal in the custody of an organisation listed in Schedule 1 if the organisation maintains a register that is made available to the relevant local council and the Division of Local Government, Department of Premier and Cabinet as requested. The Register must list the names of all carers involved in the rehoming of animals and the locations of all animals received under the exemption while in the custody of the organisation.
4. The exemption under Clause 16(d) of the Companion Animals Regulation 2008, from the requirements of section 9 of the Companion Animals Act 1998, expires five years from the date of this order, unless revoked or varied at an earlier time.

Dated: 23 July 2012.

ROSS WOODWARD,
Chief Executive,
Local Government,
Delegate of the Director General,
Department of Premier and Cabinet

COMPANION ANIMALS ACT 1998**ORDER**

Organisations approved by the Chief Executive,
Local Government under Clause 16(d) of the
Companion Animals Regulation 2008

PURSUANT to Clause 16(d) of the Companion Animals Regulation 2008, the organisation listed in Schedule 1 is hereby approved, subject to the conditions contained in Schedule 2.

SCHEDULE 1

<i>Name of Organisation</i>	<i>Address of Organisation</i>	<i>Name of Contact Officer for Organisation</i>
Barnville Rescue Cats.	150-158 Mayo Road, Llandilo NSW 2747.	Ms Tiffany COURVILLE.

SCHEDULE 2

1. The exemption under Clause 16(d) of the Companion Animals Regulation 2008, from the requirements of section 9 of the Companion Animals Act 1998, only applies to an animal in the custody of an organisation listed in Schedule 1 if the organisation is holding that animal for the sole purpose of re-housing the animal with a new owner.
2. The exemption under Clause 16(d) of the Companion Animals Regulation 2008, from the requirements of section 9 of the Companion Animals Act 1998, only applies to an animal in the custody of an organisation listed in Schedule 1 if the organisation maintains appropriate records that show compliance with the Companion Animals Act 1998, Companion Animals Regulation 2008 and the Guidelines for Approval to be an Organisation Exempt from Companion Animal Registration under Clause 16(d) of the Companion Animals Regulation 2008.
3. The exemption under Clause 16(d) of the Companion Animals Regulation 2008, from the requirements of section 9 of the Companion Animals Act 1998, only applies to an animal in the custody of an organisation listed in Schedule 1 if the organisation maintains a register that is made available to the relevant local council and the Division of Local Government, Department of Premier and Cabinet as requested. The Register must list the names of all carers involved in the rehoming of animals and the locations of all animals received under the exemption while in the custody of the organisation.
4. The exemption under Clause 16(d) of the Companion Animals Regulation 2008, from the requirements of section 9 of the Companion Animals Act 1998, expires five years from the date of this order, unless revoked or varied at an earlier time.

Dated: 23 July 2012.

ROSS WOODWARD,
Chief Executive,
Local Government,
Delegate of the Director General,
Department of Premier and Cabinet

COMPANION ANIMALS ACT 1998**ORDER**

Organisations Approved by the Chief Executive,
Local Government under Clause 16(d) of the
Companion Animals Regulation 2008

PURSUANT to Clause 16(d) of the Companion Animals Regulation 2008, the organisation listed in Schedule 1 is hereby approved, subject to the conditions contained in Schedule 2.

SCHEDULE 1

<i>Name of Organisation</i>	<i>Address of Organisation</i>	<i>Name of Contact Officer for Organisation</i>
Cat Rescue Newcastle Inc.	28 Tanilba Road, Mallabula NSW 2319.	Ms Melanie TAYLOR.

SCHEDULE 2

1. The exemption under Clause 16(d) of the Companion Animals Regulation 2008, from the requirements of section 9 of the Companion Animals Act 1998, only applies to an animal in the custody of an organisation listed in Schedule 1 if the organisation is holding that animal for the sole purpose of re-housing the animal with a new owner.
2. The exemption under Clause 16(d) of the Companion Animals Regulation 2008, from the requirements of section 9 of the Companion Animals Act 1998, only applies to an animal in the custody of an organisation listed in Schedule 1 if the organisation maintains appropriate records that show compliance with the Companion Animals Act 1998, Companion Animals Regulation 2008 and the Guidelines for Approval to be an Organisation Exempt from Companion Animal Registration under Clause 16(d) of the Companion Animals Regulation 2008.
3. The exemption under Clause 16(d) of the Companion Animals Regulation 2008, from the requirements of section 9 of the Companion Animals Act 1998, only applies to an animal in the custody of an organisation listed in Schedule 1 if the organisation maintains a register that is made available to the relevant local council and the Division of Local Government, Department of Premier and Cabinet as requested. The Register must list the names of all carers involved in the rehoming of animals and the locations of all animals received under the exemption while in the custody of the organisation.
4. The exemption under Clause 16(d) of the Companion Animals Regulation 2008, from the requirements of section 9 of the Companion Animals Act 1998, expires five years from the date of this order, unless revoked or varied at an earlier time.

Dated: 23 July 2012.

ROSS WOODWARD,
Chief Executive,
Local Government,
Delegate of the Director General,
Department of Premier and Cabinet

DISTRICT COURT OF NEW SOUTH WALES**Direction**

PURSUANT to section 32 of the District Court Act 1973, I direct that the District Court shall sit in its civil (Mining) jurisdiction at the place and time shown as follows:

Newcastle 10.00 a.m. 4 February 2013 (1 week)\
In lieu of 8 April 2013
(1 week)

Dated this 24th day of July 2012.

R. O. BLANCH,
Chief Judge

DISTRICT COURT OF NEW SOUTH WALES**Direction**

PURSUANT to section 32 of the District Court Act 1973, I direct that the District Court shall sit in its civil jurisdiction at the place and time shown as follows:

Parramatta 10.00am 3 December 2012 (1 week)

Dated this 24th day of July 2012.

R. O. BLANCH,
Chief Judge

GEOGRAPHICAL NAMES ACT 1966**Notice to Discontinue a Geographical Name**

PURSUANT to the provisions of section 14 of the Geographical Names Act 1966, the Geographical Names Board hereby notifies that it has this day discontinued the name 'Waites Lagoon' designation Lagoon.

The position and extent for this feature is recorded and shown in the Geographical Names Register of New South Wales. This information can be accessed through the Board's website at www.gnb.nsw.gov.au.

KEVIN RICHARDS,
Acting Secretary

Geographical Names Board,
PO Box 143, Bathurst NSW 2795.

GEOGRAPHICAL NAMES ACT 1966**Notice to Discontinue a Geographical Name**

PURSUANT to the provisions of section 14 of the Geographical Names Act 1966, the Geographical Names Board hereby notifies that it has this day discontinued the name 'Wheatley Memorial Park' designation Reserve.

The position and extent for this feature is recorded and shown in the Geographical Names Register of New South Wales. This information can be accessed through the Board's website at www.gnb.nsw.gov.au.

KEVIN RICHARDS,
Acting Secretary

Geographical Names Board,
PO Box 143, Bathurst NSW 2795.

HERITAGE ACT 1977

Erratum

THE notice published in the *New South Wales Government Gazette* No. 72 of 13 July 2012, relating to Royal Oak Inn (former) – Windsor Road and Commercial Road, Rouse Hill should have read:

SCHEDULE “B”

All those pieces or parcels of land known as part of Lot 101, DP 1058862, in Parish of Castle Hill, County of Cumberland, shown on the plan catalogued HC 02554 in the office of the Heritage Council of New South Wales.

Office of the Minister for Police
Sydney, NSW

SUSPECTED MURDER**ONE HUNDRED THOUSAND DOLLARS (\$100,000)
REWARD**

ON the 31 May 1999, Kathleen HARRIS, aged 15 years, was last seen at her premises in Huskisson, NSW. Kathleen has not been seen since and it is believed that she may have met with foul play.

Notice is hereby given that a reward of up to one hundred thousand dollars (\$100,000) will be paid by the Government of New South Wales for information leading to the arrest and conviction of the person or persons responsible for the suspected murder of Kathleen HARRIS.

The allocation of this reward will be at the sole discretion of the Commissioner of Police.

The urgent assistance and co-operation of the public is especially sought in the matter. Any information, which will be treated as confidential, may be given at any time of the day or night at any Police Station or by telephone –

Police Headquarters telephone (02) 9281 0000
or Crime Stoppers on 1800 333 000

The Hon. MICHAEL GALLACHER, M.L.C.,
Minister for Police and Emergency Services
and Minister for the Hunter

Office of the Minister for Police
Sydney, NSW
15 July 2012

DONALD BRUCE MACKAY – MURDER**TWO HUNDRED THOUSAND DOLLARS (\$200,000)
REWARD**

ON the 15 July 1977, Donald Bruce MACKAY, then aged 44 years, was last seen leaving the drive-in bottle department of the Griffith Hotel. Suspicious circumstances surrounded his disappearance and police suspect that he was murdered. His body has never been located.

Notice is hereby given that a reward of up to two hundred thousand dollars (\$200,000) will be paid by the Government of New South Wales for information leading to the recovery of the remains Donald Bruce MACKAY.

The allocation of this reward will be at the sole discretion of the Commissioner of Police.

The urgent assistance and co-operation of the public is especially sought in the matter. Any information, which will be treated as confidential, may be given at any time of the day or night at any Police Station or by telephone –

Police Headquarters telephone (02) 9281 0000
or Crime Stoppers on 1800 333 000

The Hon. MICHAEL GALLACHER, M.L.C.,
Minister for Police and Emergency Services
and Minister for the Hunter

NATIONAL PARKS AND WILDLIFE ACT 1974

Notice of Reservation of a Nature Reserve

I, Professor Marie Bashir, A.C., C.V.O., Governor of the State of New South Wales, with the advice of the Executive Council, reserve the lands described in the Schedule below, as part of Gingham Nature Reserve, under the provisions of section 30A (1) of the National Parks and Wildlife Act 1974.

Signed and sealed at Sydney this 11th day of July 2012.

MARIE BASHIR,
Governor

By Her Excellency's Command,

ROBYN PARKER, M.P.,
Minister for the Environment

GOD SAVE THE QUEEN!

SCHEDULE

Land District – Nyngan; LGA – Walgett

County Clyde, Parish Yanda, about 2,673 hectares, being Lots 5 and 20 in DP 751621; exclusive of a strip 20 metres wide, within Lots 5 and 20 aforesaid, adjoining the western boundary of Lot 6, DP 751621 and extending 20 metres north of the northern boundary of Lot 6 and 20 metres south of the southern boundary of Lot 6 aforesaid.

Papers OEH/FIL07/9442.

NATIONAL PARKS AND WILDLIFE ACT 1974

Notice of Reservation of a National Park

I, Professor Marie Bashir, A.C., C.V.O., Governor of the State of New South Wales, with the advice of the Executive Council, reserve the lands described in the Schedule below, as part of New England National Park, under the provisions of section 30A (1) of the National Parks and Wildlife Act 1974.

Signed and sealed at Sydney this 11th day of July 2012.

MARIE BASHIR,
Governor

By Her Excellency's Command,

ROBYN PARKER, M.P.,
Minister for the Environment

GOD SAVE THE QUEEN!

SCHEDULE

Land District – Bellingen; LGA – Bellingen

County Raleigh, Parish Dingle, about 125 hectares, being Lot 21, DP 755541, inclusive of Crown Public road within Lot 21 and the Crown Public road within Lot 20, DP 755541, excluding Council Public road.

Papers OEH/FIL 11/2184.

POISONS AND THERAPEUTIC GOODS ACT 1966

Order Under Clause 175 (1),
Poisons and Therapeutic Goods Regulation 2008

Withdrawal of Drug Authority

IN accordance with the provisions of clause 175 (1) of the Poisons and Therapeutic Goods Regulation 2008 an Order has been made on EUAN PETER ANDERSON, NMW0001313375, of 61 Yule Street, Dulwich Hill NSW 2203, prohibiting him, until further notice, as a nurse from having possession of and supplying drugs of addiction as authorised by clauses 101 and 103 of the Regulation.

This Order is to take effect on and from 1 August 2012.
Sydney, 20 July 2012.

Dr MARY FOLEY,
Director-General,
Ministry of Health, New South Wales.

SUBORDINATE LEGISLATION ACT 1989

Sydney Olympic Park Authority

THE Sydney Olympic Park Authority Regulation 2007, is due for repeal on 1 September 2012, pursuant to section 10(2) of the Subordinate Legislation Act 1989. A Regulatory Impact Statement has been prepared to accompany the proposed remaking of the Regulation (with only minor changes) as the Sydney Olympic Park Authority Regulation 2012 (Proposed Regulation).

The Proposed Regulation and Regulatory Impact Statement are available for public viewing on the Sydney Olympic Park Authority's website (<http://www.sopa.nsw.gov.au/publicexhibition>) or at Sydney Olympic Park Authority's office at Level 1, 8 Australia Avenue, Sydney Olympic Park.

Interested parties may make written submissions on the Regulatory Impact Statement and the Proposed Regulation to:

Sydney Olympic Park Authority Regulation Review,
Sydney Olympic Park Authority,
Level 1, 8 Australia Avenue,
Sydney Olympic Park NSW 2127

Submissions may also be lodged by email at enquiries@sopa.nsw.gov.au.

The closing date for submissions is Tuesday, 21 August 2012.

WATER INDUSTRY COMPETITION (GENERAL) REGULATION 2008

Marketing Code of Conduct 2012

I, the Minister for Finance and Services, under clause 26 of the Water Industry Competition (General) Regulation 2008 do, by this my Order, make the following Marketing Code of Conduct 2012.

Dated this 3rd day of July 2012.

The Hon. GREG PEARCE, M.L.C.,
Minister for Finance and Services

Explanatory note

Clause 26 of the Water Industry Competition (General) Regulation 2008 provides for the making of a marketing code of conduct for the marketing of water supplies and sewerage services.

The Marketing Code of Conduct establishes standards of conduct for marketers representing licensed retail suppliers, as well as setting out the minimum level of information to be provided to the customer.

This Order is made under clause 26 of the Water Industry Competition (General) Regulation 2008.

WATER INDUSTRY COMPETITION (GENERAL) REGULATION 2008

Transfer Code of Conduct 2012

I, the Minister for Finance and Services, under clause 27 of the Water Industry Competition (General) Regulation 2008 do, by this my Order, make the following Transfer Code of Conduct 2012.

Dated this 3rd day of July 2012.

The Hon. GREG PEARCE, M.L.C.,
Minister for Finance and Services

Explanatory note

Clause 27 of the Water Industry Competition (General) Regulation 2008 provides for the making of a transfer code establishing the process for the transfer of customer details between licensed retail suppliers or a licensed retail supplier and a public water utility.

The Transfer Code of Conduct establishes standards of conduct for licensed retail suppliers and others for transfer of customer information.

This Order is made under clause 27 of the Water Industry Competition (General) Regulation 2008.

WORK HEALTH AND SAFETY REGULATION 2011
(Clause 684)

Exemption No. 007/12

I, JOHN WATSON, General Manager, Work Health and Safety Division of the WorkCover Authority of New South Wales, pursuant to clause 684 of the Work Health and Safety Regulation 2011 grant the following exemption:

Dated this 20th day of July 2012.

JOHN WATSON,
General Manager,
Work Health & Safety Division,
WorkCover Authority of New South Wales

Work Health and Safety Regulation 2011
Exemption No. 007/12**1. Name of Exemption**

This Exemption is the Work Health and Safety Regulation 2011, Exemption No. 007/12.

2. Commencement

This Exemption commences on the date of gazettal in the *NSW Government Gazette* and has effect until 31 December 2017.

3. Exemption

This Exemption is made by the WorkCover Authority of New South Wales on its own initiative.

It applies to persons conducting a business or undertaking:

- (a) with the management or control of plant,

- (b) that manufacture plant,
 - (c) that import plant
 - (d) that supply plant, and
 - (e) that commission plant,
- as referred to in the Parts.

Those persons are exempt from the requirements of Parts 5.2 and 5.3 of the Regulation that require:

- (a) design registration of plant; or
- (b) item registration of plant

to the extent specified, and subject to the conditions, in the Schedule to this Exemption.

4. Definitions

For the purposes of this Exemption:

Parts means Parts 5.2 and 5.3 of the Regulation,

Regulation means the Work Health and Safety Regulation 2011

SCHEDULE

This Exemption is subject to the following conditions:

- (a) A person is only exempted from the requirement to have design registration for plant the design of which is required to be registered under Part 5.3 if it has current design registration for the plant under one of the Regulations listed below and the registration holder is not located in the NSW WHS jurisdiction, and

- (b) A person is only exempted from the requirement to have item registration for mobile plant, which is required to be registered under Part 5.3 if it has current item registration for the plant under one of the Regulations listed below and the registration holder is not located in the NSW WHS jurisdiction:

List of applicable Regulations:

- (i) South Australia: The Occupational Health, Safety and Welfare Regulations 2010
 - (ii) Tasmania: The Workplace Health and Safety Regulations 1998
 - (iii) Victoria: The Occupational Health and Safety Regulations 2007
 - (iv) West Australia: The Occupational Safety and Health Regulations 1996.
- (c) Nothing in this Exemption affects any other applicable requirement imposed by law in relation to the matters relating to this Exemption.

Note: The intent of this exemption is to grant recognition to current plant registrations from jurisdictions that have yet to implement the model WHS legislation in the same manner as Clauses 245 and 247 of the Regulation. Also this provides for design registrations from these jurisdictions to be used to item register plant in NSW.

HEALTH SERVICES ACT 1997

Order Amending the Scale of Fees for Hospital and Other Health Services

PURSUANT to section 69 of the Health Services Act 1997, I, Dr KERRY CHANT, Acting Director-General of the Ministry of Health, as the duly appointed delegate of the Minister for Health, do by this Order hereby amend the currently applying Scale of Fees for hospital services and other health services to the extent and in the manner set forth in the Schedule below, to take effect on and from the date of this gazettal.

Signed at Sydney, this 24th day of July 2012.

Dr KERRY CHANT,
Acting Director-General

SCHEDULE

Amendment of Scale of Fees

The Schedule entitled "Scale of Fees" which is attached to the "ORDER FIXING A SCALE OF FEES FOR HOSPITAL AND OTHER HEALTH SERVICES" and as in effect at the date of this order is amended as follows:

- (a) **delete** from Part 1 in its entirety item 1A. relating to "ACCOMMODATION CHARGES", and insert instead the following matter:

1A. ACCOMMODATION CHARGES

In respect of patients admitted to NSW public hospitals and receiving public hospital services pursuant to the National Health Care Agreement 2011 and the National Health Reform Agreement 2011.

The amendments to the fees set out in this Order shall apply in respect of any services the subject of an invoice issued by a public health organisation on or after 31 July 2012 for the relevant accommodation services provided by that public health organisation, irrespective of whether the services the subject of the invoice were provided prior to 31 July 2012.

1A.1. Public Patients

	Daily Fee \$
1A.1.1 treated by a doctor nominated by the hospital	Nil
1A.1.2 accommodated in a shared room (single room accommodation without charge may be provided on the grounds of medical need)	Nil

1A.2. Private Patients (Overnight Stay)

	Daily Fee \$
1A.2.1 treated by a doctor nominated by the patient and accommodated in a shared room	318
1A.2.2 treated by a doctor nominated by the patient and accommodated at the patient's request, in a single room or as sole occupant of a shared room.	579

1A.3. Private Patients (Same Day Patient)

	Daily Fee \$
Band 1	230
Band 2	257
Band 3	283
Band 4	318

Note: These bands are as categorised by the Commonwealth under the National Health Act 1953.

1A.4. Ineligible Patients

	Daily Fee \$
Metropolitan (referral) hospital	
– Critical care patient	4,490
– Inpatient (other than critical care patient)	1,770
Metropolitan (non-referral) hospital	
– Critical care patient	4,490
– Inpatient (other than critical care patient)	1,770
Non-Metropolitan hospital	
– Critical care patient	4,490
– Inpatient (other than critical care patient)	1,770
Psychiatric hospital inpatient	435
Other hospital inpatient	245

With the exception of:

1. A visitor to Australia who holds a temporary entry permit, and who has applied for but has not yet been issued with an entry permit granting permanent residence.
2. A Norfolk Island resident who is admitted to a public hospital under the Norfolk Island Health Care Scheme (refer item 1A.8.).
3. A person who is admitted to a public hospital under the Asylum Seeker Assistance Scheme (refer item 1A.9.).
4. Persons entitled to free public hospital treatment under the terms of a Reciprocal Health Care Agreement between Australia and their country.

Note: For the purposes of Part 1A (in particular 1A.4 and 1A.5) the classification of an individual treating hospital as “Metropolitan (referral)”, “Metropolitan (non-referral)”, “Non-Metropolitan”, “Psychiatric” or “Other” shall be the same as that shown in the “Order Classifying Public Hospitals” made by the Director-General of the Ministry of Health pursuant to clause 5 of the Workers Compensation (Public Hospital Rates) Order 2004 No. 1 under the Workers Compensation Act 1987 and published in Government Gazette No. 153 of 1 October 2004 at pp.7836-9. Such hospital classifications have been preserved by subsequent Public Hospital Rates Orders made under the Workers Compensation Act by the Chief Executive Officer of the WorkCover Authority.

1A.5. Compensable Patients (other than Workers Compensation or Motor Vehicles Compensation)

	Daily Fee \$
Metropolitan (referral) hospital	
– Critical care patient	4,490
– Inpatient (other than critical care patient)	1,770
Metropolitan (non-referral) hospital	
– Critical care patient	4,490
– Inpatient (other than critical care patient)	1,770
Non-Metropolitan hospital	
– Critical care patient	4,490
– Inpatient (other than critical care patient)	1,770
Psychiatric hospital inpatient	435
Other hospital inpatient	245

Note: These rates do not apply to persons treated pursuant to respective statutory schemes for the purposes of workers’ compensation or compensation to persons injured in motor accidents. Those rates are set by separate agreement or other such order or determination.

1A.6. Veterans’ Affairs Patients

	Daily Fee \$
Veterans’ Affairs Patients	Nil

1A.7. Nursing Home Type Patients

1A.7.1 Elect to be treated by hospital nominated doctors –

Shall be charged a patient contribution:

(on a fortnightly basis): not exceeding the equivalent to 87.5% of any Commonwealth Standard Rate Pension and 87.5% of any maximum Rent Assistance payable to a person; or

(on a daily basis, where appropriate): one fourteenth of the fortnightly amount already referred to.

1A.7.2 Elect to be treated by doctor of choice –

Shall be charged on a daily basis, an amount equivalent to the patient contribution calculated on a daily basis in accordance with sub paragraph 1A.7.1, plus an amount determined in writing from time to time by the Minister for Health of the Commonwealth, or the Minister’s delegate, pursuant to the National Health Act 1953 of the Commonwealth.

1A.8. Norfolk Island Residents admitted to a public hospital under the Norfolk Island Health Care Scheme

	Daily Fee \$
Accommodation in a shared room	560
Accommodation in a single room	723
Same Day Admission	478
Accommodation as a critical care patient	1,495
Accommodation as a compensable patient	Applicable rates under 1A.5.

1A.9. Patients admitted to a public hospital under the Asylum Seekers Assistance Scheme

	Daily Fee \$
Accommodation in a shared room	560
Accommodation in a single room	723
Same Day Admission	478
Accommodation as a critical care patient	1,495

1A.10. Private, (Private) Same Day Admissions and Ineligible Patients - Charges for the Fitting of Surgically Implanted Prostheses and Medical Devices

The charge for the fitting of any specific surgically implanted prosthesis or medical device item shall be:

1A.10.1 where there is a single dollar amount specified for an item, that dollar amount; or

1A.10.2 where there is a minimum and maximum benefit dollar amount specified for an item, a dollar amount being the minimum benefit amount, the maximum benefit amount or an amount within that dollar range,

as determined in writing from time to time in respect of that item by the Minister for Health of the Commonwealth, or the Minister's Delegate, pursuant to the National Health Act 1953 of the Commonwealth. Such charges shall take effect on any date determined by the Commonwealth Minister for Health or the Minister's delegate in respect of that item.

NATIONAL PARKS AND WILDLIFE ACT 1974

East Ballina Aboriginal Place

IN pursuance of the powers vested in me under section 84 of the National Parks and Wildlife Act 1974, I, the Minister for the Environment and Minister for Heritage, do, by this my order, declare such of the lands described hereunder as an Aboriginal Place.

The East Ballina Aboriginal Place is a place of special significance to Aboriginal culture and people. The Aboriginal cultural values for the place includes the recognition and commemoration of early colonial conflicts and the 1853/54 massacre of Bundjalung people associated with the area, and is regarded as being of significance to Aboriginal families of the area who have traditional connection to East Ballina and who continue to use the cemetery to be buried close to their immediate predecessors in ancestral lands. The place contains a landscape of extensive cultural features and natural resources, including former wetlands and coastal ecosystems, which provide a continuing teaching resource for current and future generations.

Note: Under section 86 of the National Parks and Wildlife Act 1974, it is an offence to harm or desecrate (harm includes destroy, deface or damage) an Aboriginal Place.

Activities or works for the conservation or protection of the Aboriginal Place that are carried out by an officer of the Office of Environment and Heritage, or under the direction of such an officer, in accord with section 87A(a) of the Act may be exempt.

Activities or works carried out in accordance with the Local Government Act 1993 which constitute the continued use of this Aboriginal Place for the purposes of public recreation and conservation that do not cause harm to, or desecrate the Aboriginal Place may be exempt.

Activities carried out in accordance with the Public Health (Disposal of Bodies) Regulation 2002 which constitute the continued use of East Ballina Cemetery as a cemetery would not harm or desecrate this declared Aboriginal Place.

Should any activities that may cause harm to or desecrate this Aboriginal Place be contemplated, consent should be sought from the Director General, Department of Premier and Cabinet.

ROBYN PARKER, M.P.,
Minister for the Environment

GOD SAVE THE QUEEN!

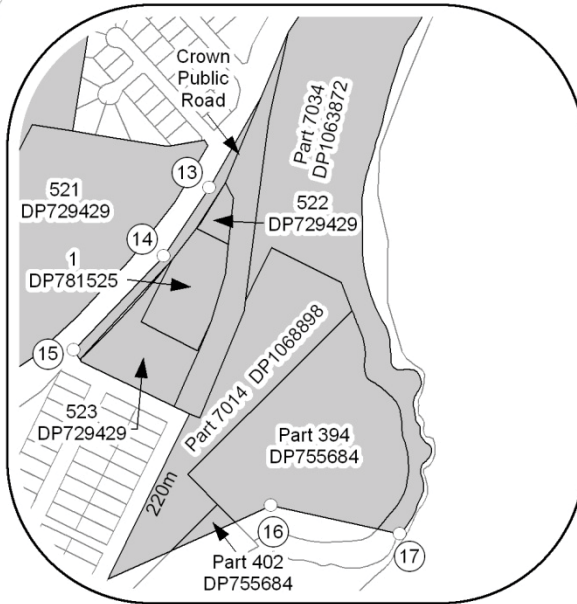
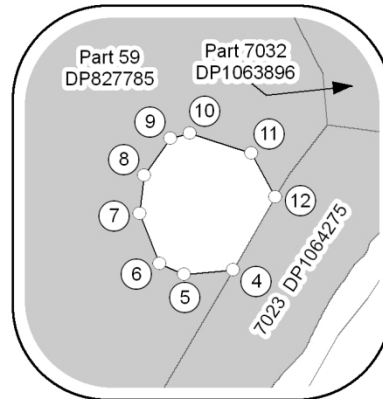
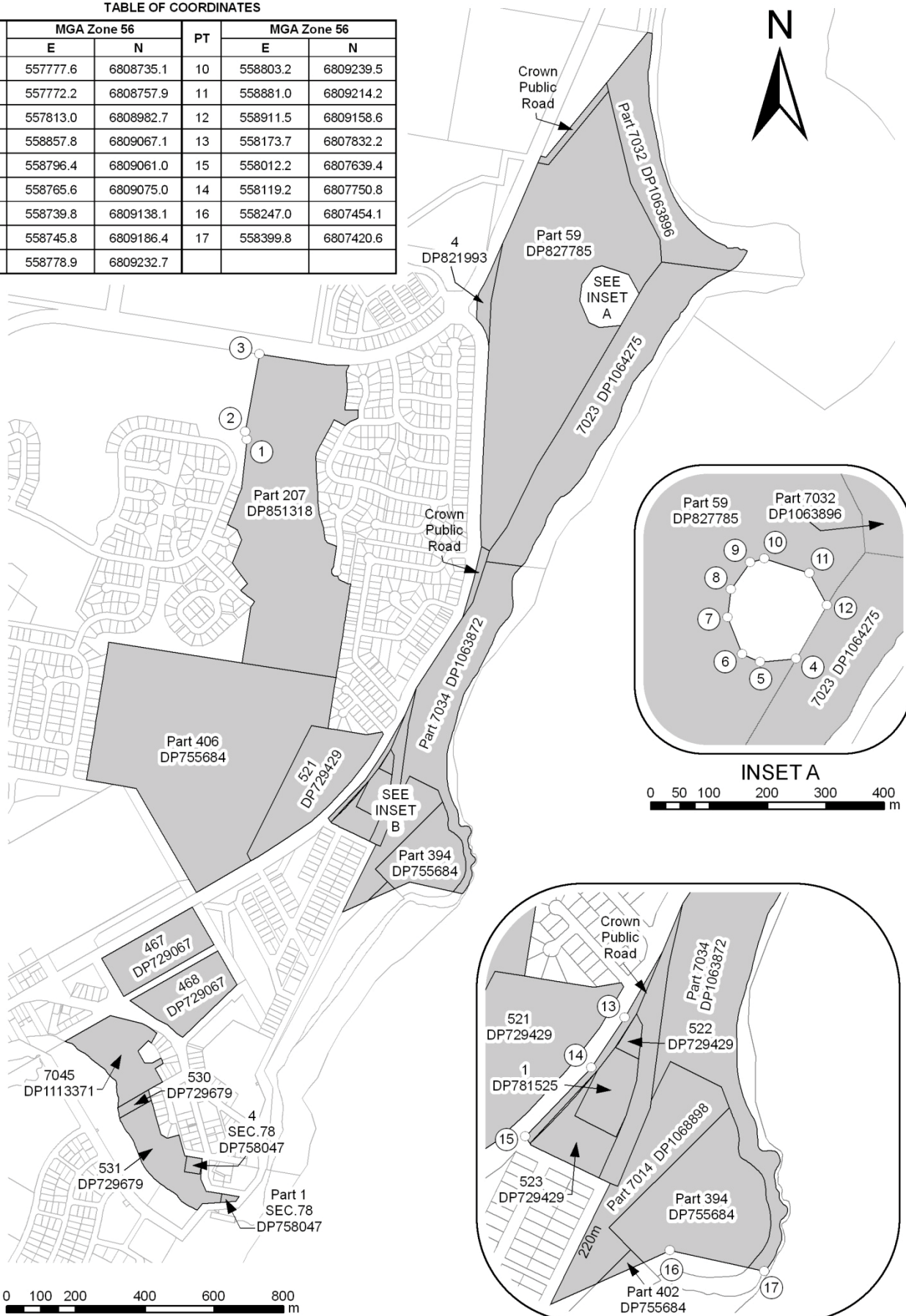
SCHEDULE*Land District – East Ballina; L.G.A. – Ballina*

County of Rous, Parish of Ballina, about 162 hectares, being Part Lot 7014, DP 1068898; Part Lot 394, DP 755684; Part Lot 7034, DP 1063872; Lot 7023, DP 1064275; Lot 522, DP 729429; Part Lot 7032, DP 1063896; Part Lot 1, DP 781525; Lot 523, DP 729429; Part Lot 59, DP 827785; Part Lot 402, DP 755684; Part Lot 207, DP 851318; Lot 521, DP 729429; Part Lot 406, DP 755684; Part Lot 1, section 78, DP 758047; Lot 4, section 78, DP 758047; Lot 530, DP 729679; Lot 531, DP 729679; Lot 7045, DP 1113371; Lot 468, DP 729067; Lot 467, DP 729067 and Crown public roads, as shown shaded in diagram hereunder.

Papers: OEH/FIL 08/705.

TABLE OF COORDINATES

PT	MGA Zone 56		PT	MGA Zone 56	
	E	N		E	N
1	557777.6	6808735.1	10	558803.2	6809239.5
2	557772.2	6808757.9	11	558881.0	6809214.2
3	557813.0	6808982.7	12	558911.5	6809158.6
4	558857.8	6809067.1	13	558173.7	6807832.2
5	558796.4	6809061.0	15	558012.2	6807639.4
6	558765.6	6809075.0	14	558119.2	6807750.8
7	558739.8	6809138.1	16	558247.0	6807454.1
8	558745.8	6809186.4	17	558399.8	6807420.6
9	558778.9	6809232.7			



PROFESSIONAL STANDARDS ACT 1994 (NSW)

The Law Society of New South Wales Scheme

PREAMBLE

- A. The Law Society of New South Wales (“the Law Society”) is a voluntary occupational association for legal practitioners (solicitors) in New South Wales.
- B. The Law Society has made an application to the Professional Standards Council (“Council”), appointed under the Professional Standards Act 1994 (NSW) (“the Act”) for approval of a scheme under the Act and this document comprises the scheme (“the Scheme”).
- C. The Scheme has been prepared by the Law Society for the purposes of limiting occupational liability of Participating Members to the extent to which such liability may be limited under the Act.
- D. The Scheme is to apply to all Participating Members.
- E. The Law Society has furnished the Council with a detailed list of the risk management strategies intended to be implemented in respect of its Participating Members and the means by which these strategies are intended to be implemented.
- F. The Scheme is intended to commence in New South Wales on 22 November 2012.
- G. The Scheme is intended to remain in force for a period of five (5) years from its commencement, subject to s.32 of the Act.
- H. The Scheme is intended to operate as a scheme of New South Wales.

THE LAW SOCIETY OF NEW SOUTH WALES**1. Preparation of the Scheme**

- 1.1 This Scheme is a scheme under the Act prepared by the Law Society, whose business address is 170 Phillip Street, Sydney New South Wales.
- 1.2 Relevant definitions for the purpose of this Scheme are as follows:
 - “Australian Lawyer” has the same meaning as it has in the Legal Profession Act 2004 (NSW);
 - “Australian Practising Certificate” has the same meaning as it has in the Legal Profession Act 2004 (NSW);
 - “Corporate Practising Certificate” means a practising certificate issued to an Australian Lawyer that has a condition that the holder is not to engage in legal practice other than in the course of employment by a corporation (other than an incorporated legal practice) or a non-lawyer entity;
 - “Court” has the same meaning as it has in the Act;
 - “damages” has the same meaning as it has in the Act;
 - “financial year” means a financial accounting period commencing on 1 July and ending 30 June;
 - “Full Member” means a person within the category of Solicitor Member and Life Member of The Law Society as contemplated in the Society’s constitution (as amended from time to time);
 - “Government Practising Certificate” means a practising certificate issued to an Australian Lawyer that has a condition that the holder is not to engage in legal practice other than in the course of employment by a State or Territory government or the Commonwealth government or a prescribed corporation;
 - “Law Practice” has the same meaning as it has in the Legal Profession Act 2004 (NSW);
 - “occupational liability” has the same meaning as it has in the Act¹;
 - “Participating Members” means those persons specified in clause 2.1 of the Scheme;
 - “Principal” has the same meaning as it has in the Legal Profession Act 2004 (NSW);
 - “Relevant Time” refers to a cause of action founded on an act or omission, specifically to the time of that act or omission occurring; and
 - “Total annual fee income” means the amount charged during a financial year for services provided by or on behalf of a Law Practice some of whose members are members of the Law Society to whom the Scheme applies.

2. Persons to whom the Scheme applies

- 2.1 The Scheme applies to:
 - 2.1.1 Full Members who hold a current Australian Practising Certificate who are not excluded or exempted under clauses 2.2 or 2.3 of the Scheme;

¹ Section 5(1) of the Act provides that the Act does not apply to liability for damages arising from the death of or personal injury to a person; a breach of trust or fraud or dishonesty. Section 5(2) of the Act also provides that the Act does not apply to liability which may be the subject of proceedings under Part 14 of the Real Property Act 1900.

- 2.1.2 all persons to whom the scheme applies, by virtue of ss.18, 19, 20 or 20A of the Act²
- 2.1.3 all persons to whom clause 2.1.1 applied at the Relevant Time but no longer applies;
- 2.1.4 all persons to whom clause 2.1.2 applied at the Relevant Time but no longer applies.
- 2.2 A person referred to in clause 2.1. does not include a person who only holds a Corporate Practising Certificate or a Government Practising Certificate.
- 2.3 A person referred to in clause 2.1 may, on application, be exempted from participation in the Scheme by the Law Society. This clause does not apply to persons to whom the Scheme applies by virtue of ss. 18, 19, 20 or 20A of the Act.

3. Limitation of liability

- 3.1 The Scheme limits the occupational liability of a Participating Member for damages³;
- 3.1.1 arising from a single cause of action founded on the act or omission; and
- 3.1.2 to the extent those damages exceed the amounts specified in the table in clause 3.4.
- 3.2 If a Participating Member against whom a proceeding relating to occupational liability is brought is able to satisfy the Court that –
- 3.2.1 the Participating Member has the benefit of an insurance policy or policies insuring him or her against the occupational liability to which the cause of action relates; and
- 3.2.2 the amount payable under the policy or policies in respect of that occupational liability⁴ is not less than the amount of the monetary ceiling (maximum amount of liability) specified in clause 3.4 as applying to such Participating Member to which the cause of action relates –
- the Participating Member is not liable for damages in relation to that cause of action above the amount of that monetary ceiling.
- 3.3 For the purposes of section 26 of the Act, the Scheme only affects a liability for damages arising from a single cause of action to the extent to which the liability results in damages exceeding \$1.5 million.
- 3.4 The monetary ceiling (maximum amount of liability) applicable for the purposes of limitation of liability under the Scheme at the Relevant Time is to be determined according to the following table-

<i>Class</i>	<i>Description</i>	<i>Monetary Ceiling (Maximum Amount of Liability)</i>
1.	Participating Members who were at the Relevant Time in a Law Practice consisting of up to and including 20 Principals and where the Law Practice generates total annual fee income for the financial year at the Relevant Time up to and including \$10m.	\$1.5 million.
2.	(a) Participating Members who were at the Relevant Time in a Law Practice consisting of greater than 20 Principals; or (b) Participating Members who were at the Relevant Time in a Law Practice where the Law Practice generates total annual fee income for the financial year at the Relevant Time greater than \$10m.	\$10 million.

4. Conferral of discretionary authority

- 4.1 The Law Society has discretionary authority, on application by a Participating Member, to specify in relation to the Participating Member, a higher maximum amount of liability (monetary ceiling) than would otherwise apply under the Scheme in relation to him or her either in all cases or in any specified case or class of case.

² Sections 18 and 19 of the Act provide that if the Scheme applies to a body corporate, the Scheme also applies to each officer of the body corporate and if the Scheme applies to a person, the Scheme also applies to each partner of that person, and if the Scheme applies to a person, the Scheme also applies to each employee of that person, provided that if such officer of the corporation or partner of the person or employee of the person is entitled to be a member of the same occupational association, such officer, partner or employee is a member of the occupational association. Section 20 provides that the Scheme also applies to other persons prescribed by the regulations for the purposes of s.29(4) as being associated with persons to whom a scheme applies. Section 20A extends the limitation of liability of persons to whom the Scheme applies by virtue of sections 18 to 20.

³ Damages as defined in s.4 of the Act means:

- (a) damages awarded in respect of a claim or counter-claim or by way of set-off; and
- (b) costs in or in relation to the proceedings ordered to be paid in connection with such an award (other than costs incurred in enforcing a judgment or incurred on an appeal made by a defendant); and
- (c) any interest payable on the amount of those damages or costs.

⁴ Section 4(1A) of the Act provides that a reference in the Act “to the amount payable under an insurance policy in respect of an occupational liability includes a reference to –

- (a) defence costs payable in respect of a claim, or notification that may lead to a claim (other than reimbursement of the defendant for the time spent in relation to the claim), but only if those costs are payable out of the one sum insured under the policy in respect of the occupational liability; and
- (b) the amount payable under or in relation to the policy by way of excess.

However, see also s.26A of the Act and its note, which has the effect that s.4(1A) does not reduce the cap on the liability of the Participating Member to the client.

4.2 If, in the exercise of its discretion under clause 4.1, the Law Society has specified a higher maximum amount of liability (monetary ceiling) than would otherwise apply under the Scheme in relation to a Participating Member, the maximum amount of liability (monetary ceiling) in relation to that Participating Member is that higher maximum amount.

5. Duration

5.1 Subject to s.32 of the Act, the Scheme will remain in force for a period of 5 years from the date of its commencement. The date of the Scheme's commencement is 22 November 2012.



Major hazard facilities performance report

2010/2011



Disclaimer

This publication may contain work health and safety and workers compensation information. It may include some of your obligations under the various legislations that WorkCover NSW administers. To ensure you comply with your legal obligations you must refer to the appropriate legislation.

Information on the latest laws can be checked by visiting the NSW legislation website (www.legislation.nsw.gov.au).

This publication does not represent a comprehensive statement of the law as it applies to particular problems or to individuals or as a substitute for legal advice. You should seek independent legal advice if you need assistance on the application of the law to your situation.

©WorkCover NSW

Contents

1. Background	4
2. Income and expenditure	5
3. Outcome measures for each of the major drivers in the costing analysis	6
4. Costing analysis	7
5. Labour activity analysis	8
6. Statistics of written objections (if any) to costs charged or time taken to complete work and indications of how objections were handled	11
Appendix A: Base and variable fee activities	12

1. Background

In 2008, the Independent Pricing and Regulatory Tribunal (IPART) was engaged to review the fees for major hazard facilities (MHFs) and recommend an equitable fee schedule sufficient to cover WorkCover NSW's reasonable costs of administering chapter 6B of the *Occupational Health and Safety Regulation 2001* (OHS Regulation). IPART recommended a fixed annual fee to cover all non-registration based costs and variable fees to cover all registration-based costs.

IPART's final report *Review of WorkCover's proposed fee schedule for regulating major hazard facilities*¹ (IPART report) was released on 25 May 2009. The NSW government accepted all recommendations in the report, including that WorkCover should publish annual measures of the MHF team's performance (recommendation 9), which forms the basis for this report.

Extract from IPART report – 1.3 List of recommendations (p4):

- 9 WorkCover should publish annual measures of the MHF unit's performance including:
- statement of income and expenditure
 - outcome measures for each of the major drivers in the costing analysis used in this review to determine recommended fee levels (including number of MHFs, number of staff, revenue from base and variable fees, and labour activity analysis for those fees)
 - statistics of written objections (if any) by MHF companies to costs charged by WorkCover, or to time taken to complete work, and indications of how objections were handled.

45

¹ IPART's final report *Review of WorkCover's proposed fee schedule for regulating major hazard facilities* is available at ipart.nsw.gov.au.

2. Income and expenditure

A summary of the MHF team’s income and expenditure for July 2010 to June 2011 is presented in table 1 below.

Table 1: Summary of income and expenditure July 2010 to June 2011

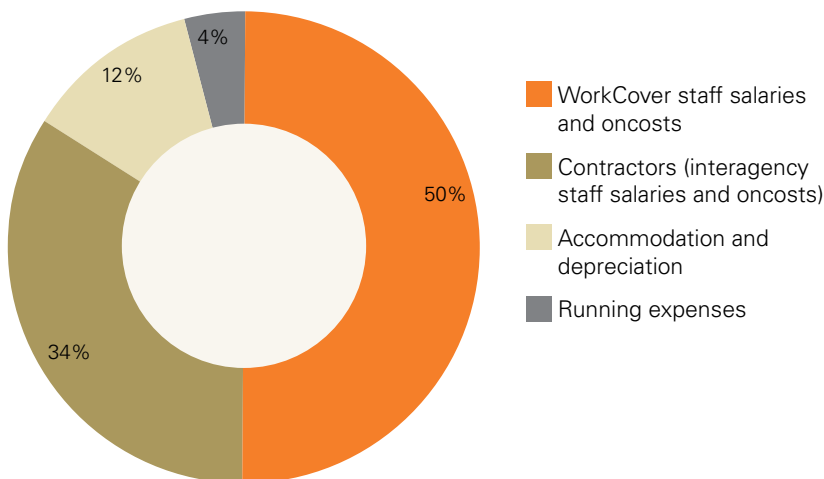
	Q1 Jul – Sep 10	Q2 Oct – Dec 10	Q3 Jan – Mar 11	Q4 Apr – Jun 11	Total Jul 10 - Jun 11
Income	\$0	\$0	\$0	\$1,344,210	\$1,344,210
Expenditure	\$307,042	\$340,834	\$341,669	\$320,329	\$1,309,874
Operating result	(\$307,042)	(\$340,834)	(\$341,669)	\$1,023,881	\$34,336

The operating result is considered to be immaterial. It is anticipated that each year the operating result will be an immaterial amount, which may fluctuate either way. It is expected that over the years this will result in a balanced operating result.

A summary of expenditure for July 2010 – June 2011 is presented in chart 1 below. Contractors include staff seconded to WorkCover’s MHF team from other agencies, including:

- NSW Police Force
- NSW Fire and Rescue
- Department of Planning and Infrastructure
- Office of Environment and Heritage.

Chart 1: MHF team’s expenditure July 2010 – June 2011



3. Outcome measures for each of the major drivers in the costing analysis

The following tables provide quarterly data on the outcome measures for each of the major drivers in the costing analysis used in the IPART report to determine recommended fee levels. This includes the number of MHFs, number of staff, and revenue from base and variable fees.

Table 2: MHF provisional registrations and registrations

	Q1 Jul – Sep 10	Q2 Oct – Dec 10	Q3 Jan – Mar 11	Q4 Apr – Jun 11
Provisionally registered MHFs	42	42	42	42
Registered MHFs	-	-	-	-
Provisional registrations cancelled	-	-	1	-
Exemption requests	-	-	-	-

Notes to table 2:

1. One new provisional registration was issued in the first quarter, due to schedule 8 materials at the facility being increased to levels above MHF threshold quantities, increasing the total number from 41 (as at June 10) to 42.
2. One provisional registration was cancelled in the third quarter due to a change of operator. One new provisional registration was issued to the new operator, therefore the number of provisionally registered MHFs remains at 42.

Table 3: MHF team establishment – Full time equivalents (FTE)

Quarter 1	July 10	August 10	September 10
FTE	8.1	8.2	8.2
Quarter 2	October 10	November 10	December 10
FTE	9.2	9.2	9.2
Quarter 3	January 11	February 11	March 11
FTE	9.2	8.7	8.7
Quarter 4	April 11	May 11	June 11
FTE	8.7	8.7	8.7

Notes to table 3:

1. The increase in FTE in the first quarter from 8.0 FTE (as at June 10) to 8.2 FTE reflects the commencement of the Office of Environment and Heritage Officer in mid-July for one day per week ie 0.2 FTE.
2. The increase in FTE in the second quarter reflects the commencement of a second Senior Safety Analyst.
3. The decrease in FTE in the third quarter reflects the Department of Planning secondment reducing to two and a half days per week ie 0.5 FTE.

Table 4: Revenue from MHF fees

	Q1 Jul – Sep 10	Q2 Oct – Dec 10	Q3 Jan – Mar 11	Q4 Apr – Jun 11	Total Jul 10 - Jun 11
Base fees	\$0	\$0	\$0	\$1,344,210	\$1,344,210
Variable fees	\$0	\$0	\$0	\$0	\$0

Notes to table 4:

1. Base fees cover all non-registration costs. Charging of base fees occurs annually at the end of each financial year.
2. Variable fees cover all registration based costs. Charging of variable fees will occur at the end of each quarter and is expected to commence when registration activities commence in February 2012.
3. See appendix A for definitions of base and variable fee activities.

4. Costing analysis

Base fees

The maximum base annual fee IPART recommended WorkCover charge to each facility for 2010-2011 was \$40,200 per facility². However, the actual amount charged was \$32,005 per facility.

The reduction in the base annual fee charged to MHFs was due to two main factors:

- The actual number of provisionally registered MHFs was higher than the number IPART used in the IPART report to calculate maximum fees, therefore reducing the amount charged per facility.
- The actual cost of WorkCover administering chapter 6B of the OHS Regulation was materially lower than IPART estimated. This was due to an inability to recruit for vacant positions. As shown in table 3, recruitment of staff to the MHF team progressed with the FTE count increasing over the financial year from 8.1 FTE to 9.2 FTE, then reducing to 8.7 FTE. By the end of the financial year, 6.3 FTE positions remained vacant. For interagency staff, 3.3 FTE positions remained vacant due to lack of resources to second from the Department of Planning and Infrastructure and the Office of Environment and Heritage. Additionally, 3.0 FTE MHF team Inspector positions remained vacant.

Variable fees

Variable fees were not charged during 2010-2011.

The due date for operators of MHFs that were provisionally registered as at 1 August 2009 to submit registration documents is 28 February 2012. Therefore, commencement of the assessment of registration documents is not expected to occur until January 2012, so the first variable fee invoices are not likely to be issued before the end of the January – March 2012 quarter.

² IPART report p4: 1.3 List of recommendations – Recommendation 7.

5. Labour activity analysis

Table 6 provides a comparison of the actual labour activity hours recorded by MHF team members against the hours projected in the IPART report for 2010/11. Labour activity categories are as provided in the IPART report³ and definitions are provided in appendix A.

Table 6: Comparison of MHF team actual labour activity hours to IPART report projections

Labour activities	MHF team actuals Jul 10 – Jun 11 (hours)	IPART projections Jul 10 – Jun 11 (hours)
Notification	418	483
Provisional emergency plan assessment	420	80
Provisional security plan assessment	214	80
Safety report plan assessment	1181	120
Emergency plan assessment	-	120
Security plan assessment	-	120
Safety management system assessment	-	3850
Safety report assessment	-	10,108
Post-registration oversight	-	-
General advice and support	1632	1034
Guidance material development	529	103
Research and development	597	1595
Technical skills development	439	620
Non-chargeable work	7863	4446
Total	13,293	22,759

The main difference in MHF team actual hours and projections provided in the IPART report for assessment of provisional emergency plans, provisional security plans, safety report plans, emergency plans, security plans and safety reports (including safety management system (SMS)) is due to changes in the MHF regulation timeline. On 26 November 2009, in response to industry concerns, WorkCover approved the extension of the due dates for submission of provisional registration and registration documents for MHFs that were provisionally registered in April 2009. Extended dates of submission are as follows:

Submission	Original due date	Extended due date
Provisional security arrangements	October 2009	31 March 2010
Provisional emergency arrangements	October 2009	31 December 2009
Safety report plans	October 2009	31 August 2010
Security plan	March 2010	28 February 2012
Emergency plan	March 2011	28 February 2012
Safety report (including SMS)	March 2011	28 February 2012
Application to register	March 2011	28 February 2012

³ IPART report p66: Table E.1 IPART Revised labour activity hours.

The aim of the extensions were to:

- Allow staff assigned to WorkCover's MHF team from NSW Police and NSW Fire and Rescue to be appropriately involved in providing guidance to operators and assessment of submissions related to emergency and security arrangements. Due to delays in finalising secondment arrangements, this would not have been possible with the original timeframes.
- Allow the security plan to be based on the hazard and risk studies used to develop the safety report, rather than having it developed in isolation, and to allow development in tandem with the emergency plan, resulting in better plans and more efficient use of operators' resources.
- Allow operators sufficient time to complete their submissions to an acceptable standard, following provision of clear and practical guidance material.
- Allow operators to obtain more assistance from WorkCover in the preparation of the above-listed submissions, leading to an acceptable standard and fewer requirements for amendments.
- Allowing MHF operators sufficient time to produce quality safety reports, by maintaining the 18 month period between submission of the safety plan and report.

The projections provided in the IPART report for these activities in 2010/11 do not take into account the changes to the MHF regulation timeline and, therefore, are not accurate.

To promote consistency within the MHF team in tracking time against labour activities, specific definitions were developed (see appendix A).

MHF operators were due to submit safety report plans by 31 August 2010. From the time of submission to the end of the 2010-2011 financial year, the MHF team completed 100 per cent of safety report plan assessments and provided written responses to all operators. The IPART report projected 120 hours⁴ per assessment of safety report plan, however, the actual time taken was approximately 10 hours per review. One explanation for this difference may be that the clear and concise guidance material provided to MHF operators resulted in higher quality submissions with little need for re-submission, as reflected in the results of initial reviews where approximately two-thirds were accepted, one-third required more information to allow an opinion to be formed, and only a small number required re-submission. In addition, the low staff numbers in the MHF team and the need to provide timely feedback to MHF operators did not allow the provision of a more comprehensive review.

MHF operators were due to submit provisional emergency arrangements by 31 December 2009. Reviews of two-thirds of provisional emergency arrangement submissions were completed during 2010-2011.

The IPART report projected 80 hours⁴ per assessment of provisional emergency arrangements, however, the actual time taken was approximately 15 hours per review. This was due to a greater focus being placed on development of emergency plans compliant with MHF legislation, including providing feedback to MHF operators following review of emergency plans prepared under clause 174ZC of the OHS Regulation and providing assistance with development of emergency plans compliant with MHF legislation to enable operators to submit draft emergency plans to NSW Fire and Rescue by August 2011. The time allocated to assist with development of emergency plans is recorded under the labour activity general advice and support.

MHF operators were due to submit provisional security arrangements by 31 March 2010. The review of over half of provisional security arrangement submissions were completed during 2010-2011.

4 IPART report p20: Table 3.2 Estimated hours required for core activities per MHF.

The IPART report projected 80 hours⁵ per assessment of provisional security arrangements, however, the actual time taken was approximately 10 hours per review. This was due to a greater focus being placed on development of security plans, including site visits to MHFs to provide feedback to MHF operators on provisional security arrangement submissions, and comprehensive reports detailing areas for improvement, to assist with development of security plans. The time allocated to providing assistance with development of security plans is recorded under the labour activity general advice and support.

Assessment of emergency plans, security plans and safety reports (including safety management system) will commence following receipt of application for MHF registration, which is due by 28 February 2012, hence nil labour activity hours were recorded by the MHF team. Post-registration oversight will commence following registration of MHFs, hence nil hours being projected by IPART and nil labour activity hours recorded by the MHF team.

The labour activity notification included evaluation of new notifications submitted by MHFs and potential MHFs, and review of compliance with information provided in response to conditions of provisional registration under clause 1750(1)(c). The majority of this work occurred in the first quarter of 2010-2011, as follows:

- By the end of 2009-2010, a total of 335 notifications had been received and the MHF team had completed 100 per cent of first round reviews and 94 per cent of second round reviews. The remaining reviews were completed in the first quarter of 2010-2011.
- Under conditions of provisional registration, 39 facilities received facility-specific conditions requiring further information to be submitted with their notification. By the end of 2009-2010, the MHF team had completed 31 per cent of reviews of compliance with information provided in response to conditions of provisional registration under clause 1750(1)(c) of the OHS Regulation. The remaining reviews were completed in the first quarter of 2010-2011.
- Time allocated to notification in the remaining quarters was due to review of a number of notifications of change of details (eg contact details, scheduled materials) and five new notifications.

Other activities undertaken by the MHF team which had a significant advice and support component include:

- provision of information sessions including:
 - MHF provisions in the model WHS Regulation provided to MHF operators, MHF consultative committee members and internal WorkCover staff
 - development of safety reports provided to MHF warehouse and logistics operators
- security handbook training sessions for MHF operators
- liaison with operators of sites with large above-ground tanks containing flammable liquids regarding reviewing the safety of tanks in light of the Buncefield incident
- issuing coordinated plan directives, for MHFs adjacent or near other MHFs with a possibility of impacting on each other, to exchange information and prepare coordinated safety reports and emergency plans
- reminders to MHF operators of their responsibilities eg due dates for submissions, including draft security plan submissions to NSW Police and draft emergency plans to NSW Fire and Rescue for comment before submission to WorkCover
- provision of general MHF information to operators/potential operators, MHF consultative committee and internal WorkCover staff eg quarterly MHF team newsletter, amendments to legislation, common issues with emergency plans submitted under clause 174ZC of the OHS Regulation, assisting other WorkCover teams' improvement programs involving MHFs

⁵ IPART report p20: Table 3.2 Estimated hours required for core activities per MHF.

- responses to MHF queries from regulators in other jurisdictions eg fee queries
- provision of lists of MHFs located in their area to local councils
- provision of general dangerous goods, OHS, explosives or other advice eg correspondence to MHFs and potential MHFs re explosives licences expiring.

The actual time allocated to guidance material development is approximately five times greater than projected in the IPART report. This is due to the significant amount of time required by the MHF team to assist in drafting harmonised guidance material with other jurisdictions to support the national WHS legislation which commenced in January 2012.

Additionally, interagency staff seconded to the MHF team were involved in development or amendment of the following MHF guidance material published by their home agencies:

- NSW Police Force – Security handbook
- NSW Fire and Rescue – Emergency planning guide
- Department of Planning and Infrastructure – Hazardous industry planning advisory paper 1: Emergency planning.

The time recorded against research and development is approximately one-third of that projected in the IPART report, and the time recorded against technical skills development is approximately two-thirds of that projected. This may be explained by the reduced number of filled FTE positions in the MHF team and the higher number of MHFs, which resulted in less time for each person to dedicate to research and technical skills development, as more time was required per person to complete assessment and support activities.

When comparing MHF team actual total hours to the projections provided in the IPART report, the difference can be explained by the staffing levels. At the start of the financial year, the MHF team had 8.0 FTE staff, which increased to 9.2 FTE then dropped to 8.7 FTE by the end of the year. In the IPART report, the projected labour activity hours are calculated based on 15 FTE⁶. The difference in FTE provides an explanation as to why the total actual time for 2010-2011 is approximately 60 per cent of that projected in the IPART report.

6. Statistics of written objections (if any) to costs charged or time taken to complete work and indications of how objections were handled

Written objections received in 2010-2011 include:

- objections to costs charged by WorkCover: nil
- objections to time taken to complete work: nil.

6 IPART report p23: Table 3.3 MHF unit – Staffing proposed by WorkCover.

Appendix A: Base and variable fee activities

1. Base fee activities

Base fees are charged annually to provisionally registered or registered MHFs and cover all non-registration based costs. The annual base fee is only charged to MHFs, however, the base fee activities relate to any facility registered in the MHF database ie who submitted a MHF notification form, regardless of their status.

Base fee activities are the non-registration activities accounted for in the base fee charged annually (based on the IPART report)⁷.

There are two groupings of base fee activities – general and facility-related. Following are definitions of the activities.

Table 1: Definitions of facility-related activities

Activity	Definition
Notification	Any facility specific work, or advice and support, regarding notification (any facility in our database, regardless of status) including review of facility specific provisional registration condition information.
Provisional emergency plan assessment	Any facility specific work, or advice and support, during assessment of provisional emergency arrangements.
Provisional security plan assessment	Any facility specific work, or advice and support, during assessment of provisional security arrangements.
Safety report plan assessment	Any facility specific work, or advice and support, during assessment of safety report plan.
Post-registration oversight	Any facility specific work, or advice and support, following full registration.
General advice and support	<ul style="list-style-type: none"> ● Any advice and support you give to a facility, regardless of their status, which doesn't fall under one of the categories above, including: <ul style="list-style-type: none"> ○ general dangerous goods, OHS, explosives or other advice ○ advice and support provided to a facility during the preparation of their provisional emergency and security arrangements or safety report plan ie prior to submission ○ advice and support provided to a facility during the preparation of their emergency plan, SMS, safety report or security plan ie prior to submission. ● Administrative work related to provisional registration or registration.

⁷ IPART report p66: Table E.1 IPART Revised labour activity hours.

Table 2: Definitions of general activities

Activity	Definition
General advice and support	General advice and support related to MHF or MHF requirements given to anyone other than a facility listed in the MHF database.
General advice and support provided to all MHFs	General advice and support related to MHF or MHF requirements given to all MHF operators.
Guidance material development	Time spent on development and maintenance of MHF guidance material.
Technical skill development	Technical training, conferences, seminars, workshops etc related to MHF issues.
Research and development	General research related to MHF issues.
Non-chargeable work	Providing dangerous goods advice and assistance, travel time, planning sessions, meetings, administrative requirements eg motor vehicle running sheets, mobile phone bills, flex sheets.

2. Variable fee activities

Clause 175P of the OHS Regulation requires operators of MHFs in NSW to submit the following documents to WorkCover during the registration stage:

- Application for registration
- Security plan
- Emergency plan
- Safety report (including SMS information).

The IPART report lists assessment of these registration documents as activities for which costs are to be recovered by the variable fee.

Extract from IPART report, page 39:


The following costs are to be recovered by the recommended variable fee:

- ▼ Fit and proper person assessment.
- ▼ Emergency plan assessment.
- ▼ Security plan assessment.
- ▼ Safety management system assessment.
- ▼ Safety report assessment⁶⁴.

MHF operators will be charged variable fees quarterly. The amount will be calculated based on the time spent on registration activities for each facility. Following are definitions of the activities.

Table 3: Definitions of variable fee activities

Activity	Definition
Fit and proper person assessment	Any facility specific work, or advice and support, during assessment of fit and proper person.
Emergency plan assessment	Any facility specific work, or advice and support, during assessment of emergency plan.
Security plan assessment	Any facility specific work, or advice and support, during assessment of security plan
Safety management system assessment	Any facility specific work, or advice and support, during assessment of safety management system.
Safety report assessment	Any facility specific work, or advice and support, during assessment of safety report.



Catalogue No. **WC03772** WorkCover Publications Hotline **1300 799 003**
WorkCover NSW, 92-100 Donnison Street, Gosford, NSW 2250
Locked Bag 2906, Lisarow, NSW 2252 | WorkCover Assistance Service **13 10 50**
Website workcover.nsw.gov.au

ISBN 978 1 74341 098 1 ©Copyright WorkCover NSW 0612



PRIVATE ADVERTISEMENTS

COUNCIL NOTICES

COOLAMON SHIRE COUNCIL

Roads Act 1993

Roads (General) Regulation 2008

Part 2 – Roads, Division 2

Roads Renaming

NOTICE is hereby given that Coolamon Shire Council, pursuant to the aforementioned Act and Regulation, has named the roads described hereunder for gazettal in the Shire of Coolamon.

These names have been approved by the Geographical Names Board. Some of these are road names which have been in existence for a considerable amount of time.

The following is a list of Local Rural Roads within the Coolamon Shire Council. Should you wish to view the location of these roads, they have been made available on www.coolamon.nsw.gov.au.

Allens Lane	London Hill Road
Ariah Road	Lonsdales Lane
Armstrongs Lane	Lucas Lane
Ashbridge Road	Lynham Lane
Ashbridge School Lane	Manglesdorf Lane
Beckom Road	Mannings Lane
Beckom South Road	Marrar North Road
Berry Jerry Lane	Marrar South Road
Billingham Road	Marrarvale Lane
Blairs Lane	Maslins Lane
Boothey Lane	Matong North Road
Booths Lane	Mattinglys Lane
Boundary Lane	McCormacks Lane
Bradleys Lane	McDougalls Lane
Bradshaws Lane	McIntyres Lane
Brangalgan Road	McKelvies Lane
Bredins Lane	McNabbs Lane
Briar Bush Lane	McPhails Lane
Brills Lane	McRaes Lane
Brushwood North Road	Menzies Lane
Brushwood South Road	Methul Road
Bygoo Road	Mirrool Road
Cains Lane	Mirrool South Road
Campbells Lane	Mollers Lane
Caringa Road	Mumbledoon Road
Carlisle Park Road	Murphys Lane
Carrolls Lane	Murrell Creek Road
Casleys Lane	Murrulebale Road
Ceelys Lane	Muttons Lane
Chamberlains Lane	O'Dwyers Lane
Chants Lane	Old Roping Pole Road
Chards Lane	Pamandi Road
Coffin Rock Road	Parmenters Lane
Coursing Park Road	Pattens Road
Croziars Lane	Pattisons Lane
Currajong Lane	Pearces Lane

Deepwater Road	Plemings Lane
Derrain North Road	Poverty Lane
Devlin Road	Pratts Lane
Dullah Road	Pritchards Lane
Dyasons Lane	Pursehouse Lane
Dyces Lane	Quades Lane
East West Road	Quinns Lane
Easticks Lane	Ramp Road
Elliott Lane	Rands Tank Road
Evans Lane	Rannock Road
Fairmans Lane	Rayments Lane
Fairweathers Lane	Redgrave Lane
Firmans Lane	Redrops Lane
Flanagans Lane	Richens Lane
Forest Road	Roping Pole Road
Foxs Lane	Rutlands Lane
Freers Lane	Schliebs Lane
Furners Lane	Seberrys Lane
Gilberts Lane	Settlers Lane
Gilmores Lane	Seymours Lane
Gradys Lane	Sheas Lane
Halbischs Lane	Springwood Road
Harrisons Lane	Stewarts Lane
Hattys Lane	Stinsons Lane
Hawthorns Lane	Strathbogie Lane
Hayes Lane	The Rocks Road
Hodges Lane	Tilyards Lane
Holgates Lane	Tin Mines Road
Hooke Road	Tooyal Road
Irish Jims Lane	Turnbolls Lane
Johnsons Hill Road	Turners Lane
Kamarah Tank Road	Uley Lane
Kellys Lane	Wallerobie Road
Kennys Lane	Walshs Lane
Kinilibah School Lane	Whitakers Lane
Kockibitoo Road	Whites Lane
Langtrys Lane	Williamsons Lane
Lawrences Lane	Willows Road
Leahys Lane	Winrows Lane
Lesterfield Lane	Woodens Lane
Litchfield Lane	Yarranjerry Exchange Road
Logans Lane	Yarrowong Road
Regional	
Ardlethan Road	Mary Gilmore Way
Canola Way	Millwood Road
Coolamon Road	
State/Federal	
Burley Griffin Way	Newell Highway

Authorised by resolution of Council on 19 April 2012. No objections to the above road names were received within the prescribed period of time. The above road names have been advertised and notified. TERRY KISS, General Manager, Coolamon Shire Council, 55 Cowabbie Street (PO Box 101), Coolamon NSW 2701. [6561]

HOLROYD CITY COUNCIL

Roads Regulation 2008

Naming of Roads

PURSUANT to Clause 9 of the Roads Regulation 2008, notice is hereby given of the naming of the following new road that connects Neil Street to Stockland Mall in Merrylands:

Road Name:

Graf Place.

Dated at Merrylands, this 23rd day of July 2012. MERV ISMAY, General Manager, Holroyd City Council, Memorial Avenue, Merrylands NSW 2160. [6562]

INVERELL SHIRE COUNCIL

Fixing of Levels

NOTICE is hereby given that levels of:

Brissett Street – Evans Street to Killean Street,

as shown on plans exhibited at Council's Office and as advertised in the *Inverell Times* on 25 May 2012, have been duly approved and fixed by the authority delegated to me under section 378 of the Local Government Act 1993, as amended, in accordance with such plans on 12 July 2012.

P. J. HENRY, General Manager, Inverell Shire Council, Administrative Centre, 144 Otho Street, Inverell NSW 2360. [6563]

LAKE MACQUARIE CITY COUNCIL

Naming of Roads

LAKE MACQUARIE CITY COUNCIL advises that in accordance with section 162.1 of the Roads Act 1993 and Part 2, Division 2, Clause 9, Roads Regulations 2008, it has named the following road:

<i>Location</i>	<i>Name</i>
The following road name at Murrays Beach, gazetted 23 September 2011, Folio 5672, is now formalised with appropriate road type.	Nightshade Crescent.

BRIAN BELL, General Manager, Lake Macquarie City Council, Box 1906, Hunter Region Mail Centre NSW 2310. [6564]

LIVERPOOL CITY COUNCIL

Roads Act 1993, Section 10

Notice of Dedication of Land as Public Road

NOTICE is hereby given that The Council of the City of Liverpool dedicates the land described in the Schedule below as public road under section 10 of the Roads Act 1993. FAROOQ PORTELLI, General Manager, The Council of the City of Liverpool, Locked Bag 7064, Liverpool BC NSW 1871.

SCHEDULE

All that piece or parcel of land known as Lot 2 in Deposited Plan 1170977, at Prestons, Parish of St Luke, County of Cumberland and as described in Folio Identifier A/389212. [6565]

WAVERLEY MUNICIPAL COUNCIL

ERRATUM

THE notice in *New South Wales Government Gazette* No. 72 of 15 July 2011, at page 5016, under the heading of Waverley Municipal Council was published showing incorrect information in relation to the land. The correct description in relation to the land the subject of the road dedication is:

1. Part Lot 12 in Deposited Plan 4346 being the residue in Certificate of Title Volume 208, Folio 2352.
2. Land adjoining Lots 32, 54 and 61 in Deposited Plan 5169 being the residue in Certificate of Title Volume 498, Folio 136.

This notice corrects that error. TONY REED, General Manager, Waverley Municipal Council, PO Box 9, Bondi Junction NSW 1355. [6566]

WINGECARRIBEE SHIRE COUNCIL

Naming of Road

File No. 7810/12

Roads Act 1993, Section 162

Roads (General) Regulation 2000

NOTICE is hereby given that Wingecarribee Shire Council under delegated authority and in pursuance of section 162 of the Roads Act 1993, has approved the following road name:

<i>Previous Name</i>	<i>Proposed Name</i>
Renaming of 'The Braemar Section' of Badgery Street, a public road running west off the Old Hume Highway, Braemar, Parish of Mittagong, County of Camden.	Rush Lane.

JASON R. GORDON, General Manager, Wingecarribee Shire Council, PO Box 141, Moss Vale NSW 2577. [6567]

OTHER NOTICES**ESSENTIAL ENERGY**

Electricity Supply Act 1995 (Nsw)

Land Acquisition (Just Terms Compensation) Act 1991 (NSW)

Notice of Compulsory Acquisition of Easement for Electricity Purposes at Deniliquin

ESSENTIAL ENERGY declares, with the approval of Her Excellency the Governor, with the advice of the Executive Council, that the Interest in Land described in Schedule 1 to this notice the terms of which are described in Schedule 2 to this notice, is acquired by compulsory process in accordance with the provisions of the Land Acquisition (Just Terms Compensation) Act 1991 (NSW), for the purposes of the Electricity Supply Act 1995 (NSW).

Dated at Port Macquarie, this 27th day of July 2012.

VINCE GRAHAM,
Interim Chief Executive Officer

Essential Energy,
PO Box 718, Queanbeyan NSW 2620.

SCHEDULE 1

Interest in Land: Easement for overhead powerlines 40 wide affecting Lot 7301 in deposited plan DP 1166669 shown as “(A) Easement for Transmission Line 40 wide” on DP 1166125.

Locality: Deniliquin.

L.G.A.: Murray.

Parish: Yalama.

County: Townsend.

SCHEDULE 2

The easement for overhead powerlines 40 wide is on the terms set out in Part A of Memorandum No. AG189384 registered on the Register held under the Real Property Act 1900 (NSW).

In so far as any Native Title rights and interests may exist over the Crown land affected by the easement, the “non-extinguishment principle” as defined in section 238 of the Native Title Act 1993 (Cth) applies to the acquisition of the Interest in Land. [6568]